



USER MANUAL



eiQ-49SUWD144FSH

**49 INCH
CURVED LED MONITOR**

eiQ-49SUWD144FSHQ

**49 INCH
CURVED QLED MONITOR**

Please read this manual thoroughly before use and keep it handy for future reference

CONTENTS

SAFETY INFORMATION	3
CONNECTION AND PREPARATION OF THE MONITOR	5
WHAT IS INCLUDED	5
ATTACHING THE STAND	6
WALL MOUNTING	7
CONTROL PANEL	7
INPUT / OUTPUT TERMINALS	8
INITIAL SETUP	8
QUICK MENU	9
MENU OPTIONS	9
INPUT SOURCE	10
BRIGHTNESS / CONTRAST	10
COLOUR SETTINGS	11
PICTURE QUALITY SETTINGS	12
DISPLAY	13
AUDIO	13
MULTI WINDOW	14
OSD	15
OTHER	16
TECHNICAL SPECIFICATION	17
SIMPLE TROUBLESHOOTING	18
MANUFACTURER SUPPORT	18

SAFETY INFORMATION

- Read these instructions – All the safety and operating instructions should be read before this product is installed or operated.
- Keep these instructions – The safety and operating instructions should be retained for future reference.
- Heed all warnings – All warnings on the appliance and in the operating instructions should be adhered to.
- Follow all instructions – All operating and usage instructions should be followed.
- Do not use this equipment near water – The appliance should not be used near water or moisture e.g. in a wet basement or near a swimming pool.
- This monitor is designed for indoor use only.
- Clean only with a dry cloth. Do not use solvents or petroleum based fluids.
- Do not block any ventilation openings.
- Do not install near any heat sources such as radiators, stoves or other apparatus (including amplifiers) that produce heat.
- Do not tamper with the supplied plug. This plug is a BS1363 standard plug.
- Protect the power cord from being walked on or pinched, particularly at the plug and at the point where they exit from the appliance.
- Only use attachments/accessories specified by the manufacturer.
- Unplug the apparatus during lightning storms or when unused for long periods of time.
- Refer all servicing to qualified personnel. Servicing is required when the apparatus has been damaged in any way, such as power supply cord or plug is damaged, liquid has been spilled or objects have fallen into the apparatus or it has been exposed to rain or moisture, it does not operate normally or has been dropped.
- Please keep the unit in a well ventilated environment.
- The monitor should only be connected to a mains power supply with AC 100-240V~ 50/60Hz
- To prevent overload, do not share the same power supply socket with too many other electronic components.
- Do not place any connecting wires where they may be stepped on or tripped over.
- Do not place heavy items on the cable as this may cause damage.
- Hold the main plug, not the wires, when removing from a socket.
- Unplug immediately and seek professional help if the plug or cable is damaged, liquid has spilt onto the monitor, if accidentally exposed to water or moisture, if anything accidentally penetrates the ventilation slots or if the set does not work normally.
- Do not remove the safety covers. There are no user serviceable parts inside.
- Do not block ventilation slots on the back cover. The monitor can be placed in a cabinet but ensure the guidance on clearances are followed.
- Do not tap or shake the screen, this may damage internal components.
- Diagrams within the manual are for illustrative purposes only, and as such there may be differences to the actual product received.
- This is a CLASS I product and as such requires an earth connection.

WARNING

Never place a monitor in an unstable location. A monitor may fall, causing serious personal injury or death. Many injuries, particularly to children, can be avoided by taking simple precautions such as:

- Use cabinets or stands recommended by the manufacturer of the monitor.
- Only use furniture that can safely support the monitor.
- Ensure the monitor is not overhanging the edge of the supporting furniture.
- Do not place the monitor on tall furniture (for example, cupboards or bookcases) without anchoring both the furniture and the monitor to a suitable support.
- Do not place the monitor on cloth or other materials that may be located between the monitor and the supporting furniture.
- Educate children about the dangers of climbing on furniture to reach the monitor or its controls.

If your existing monitor is being retained and relocated, the same considerations as above should be applied.

WARNING

To reduce the risk of fire or electric shock, do not expose this apparatus to rain or moisture. The apparatus shall not be exposed to dripping or splashing and objects filled with liquids, such as vases, shall not be placed on or next to the apparatus.

WARNING

The wall plug is used as a disconnection device and should remain readily accessible.

WARNING



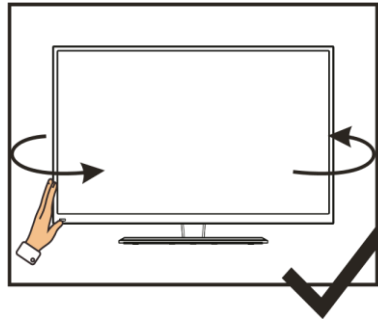
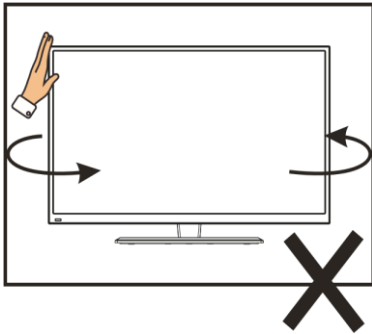
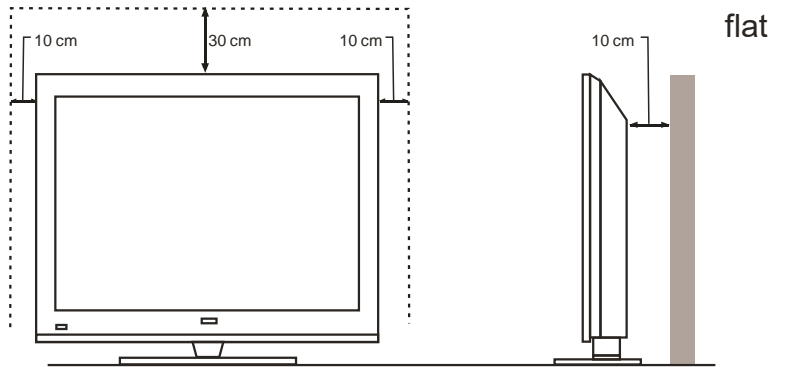
At full volume, prolonged listening may damage the users hearing.

CAUTION

To reduce the risk of electric shock, DO NOT remove the cover (or back). No user serviceable parts inside. Refer servicing to qualified service personnel.

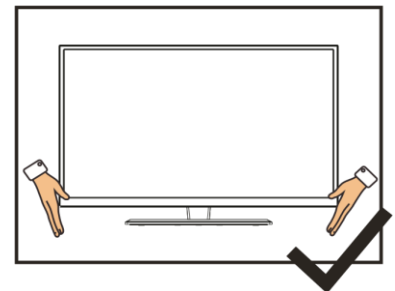
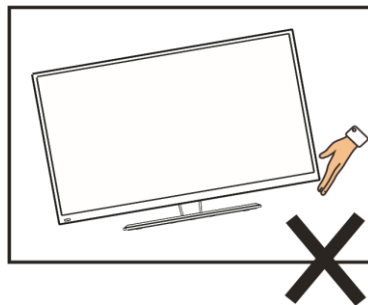
ATTENTION

- Place the monitor on a firm and surface, leaving a space of at least 10cm around the unit and 30cm from the top of the unit to the ceiling or cabinet. Ensure the monitor is positioned close to the wall to avoid it falling when pushed.



- When twisting the monitor, do not hold by the top, you should twist from the base.

- When lifting the monitor, do not use one hand to handle it, you should lift the monitor using two hands, ensuring pressure is not put on the screen itself.



CONNECTION AND PREPARATION OF THE MONITOR

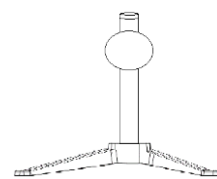
WHAT IS INCLUDED



Monitor



User Manual



Stand



Power Cable

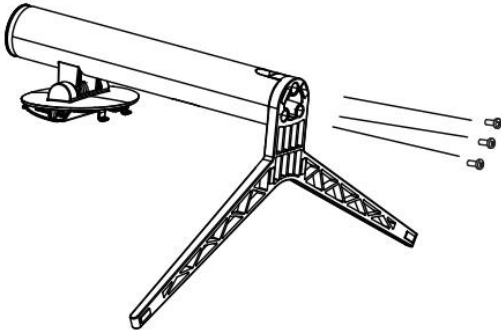


DP Cable



Bolts

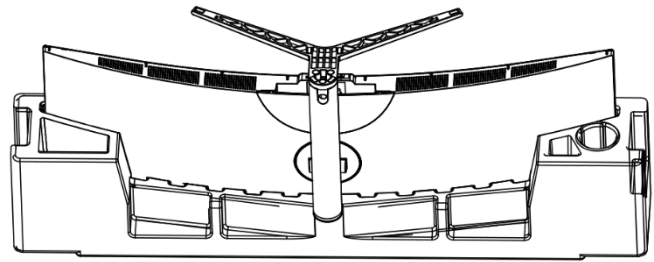
ATTACHING THE STAND



Attach the base of the stand to the upright section of the stand using the three bolts provided.

Carefully take the monitor out of the box and place upside down within the polystyrene insert, before locking the assembled stand onto the rear of the monitor.

Before removing the monitor, ensure that the stand is securely locked onto the rear of the monitor.

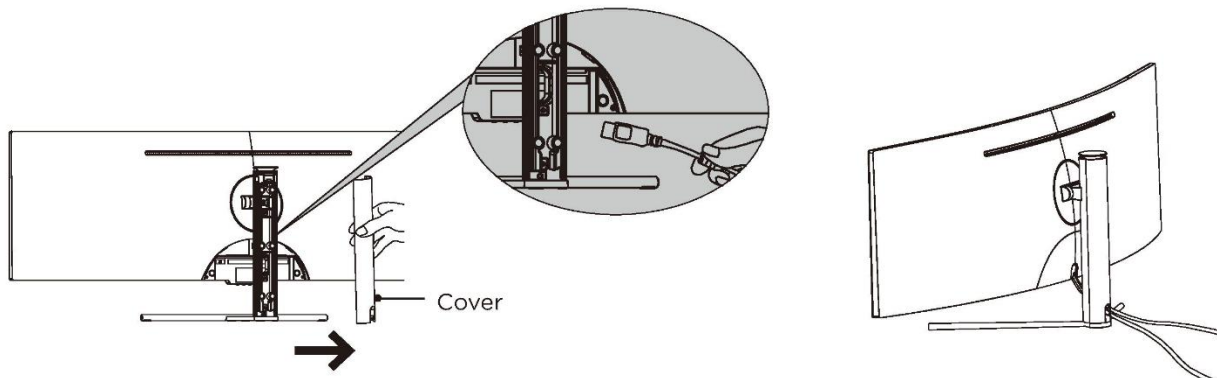


NOTES:

- Due to the heavy weight and dimensions of the LCD screens and their fragile nature, we recommend that they are unpacked and assembled by 2 people.
- electriQ and its distributors and dealers are not liable or responsible for damage or injury caused by improper installation, improper use or failure to observe these safety instructions. In such cases any guarantee will expire.
- The stand can be removed from the rear of the monitor by pressing the quick release button on the rear of the monitor.

CABLE MANAGEMENT

The cover can be removed from the rear of the stand. Cables can then be threaded through the stand, up to the terminals. Once the cables are in position, replace the cover on the rear of the stand.



DO NOT put pressure on the screen when moving or positioning the monitor.

WALL MOUNTING

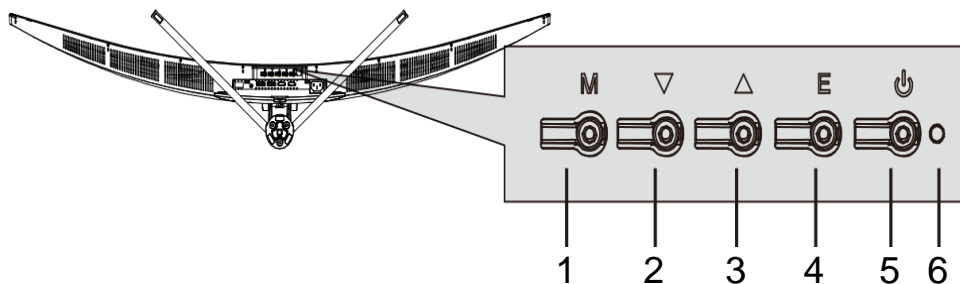
- The monitor is provided with mounting holes for a VESA approved wall mounting bracket (not supplied).
- When wall mounting, suitable extension bolts must be fitted to the rear of the monitor to allow the bracket to fix firmly to the rear of the monitor.
- The VESA mounting pattern is :
75 x75 mm and the size of the bolts is 2 x M4 x 42 and 2 x M4 x 24 (not supplied).
- Do not use bolts longer than the size specified above for your model or damage will occur to the internal components.

NOTES:

- Due to the heavy weight and dimensions of the LCD screens and their fragile nature, we recommend that they are unpacked and assembled by 2 people and professional installers are used to wall mount them (Wall mounting is optional). If you do not understand the instructions, or are unsure how to install this product, please contact a professional for assembly advice and assistance.
- Careful consideration should be made regarding the location the monitor is to be wall mounted as some walls are not suitable for installation. If the monitor is to be mounted on drywall, the mount must be anchored into a wooden stud, concrete block or brick behind the drywall. Installing on drywall alone may not support the weight of the display.
- When drilling holes it is particularly important to take care of electrical cables, water or gas pipes in the wall. Please follow the instructions provided by the wall bracket manufacturer and ensure that all fixing screws supplied are used.
- electriQ and its distributors and dealers are not liable or responsible for damage or injury caused by improper installation, improper use or failure to observe these safety instructions. In such cases any guarantee will expire.

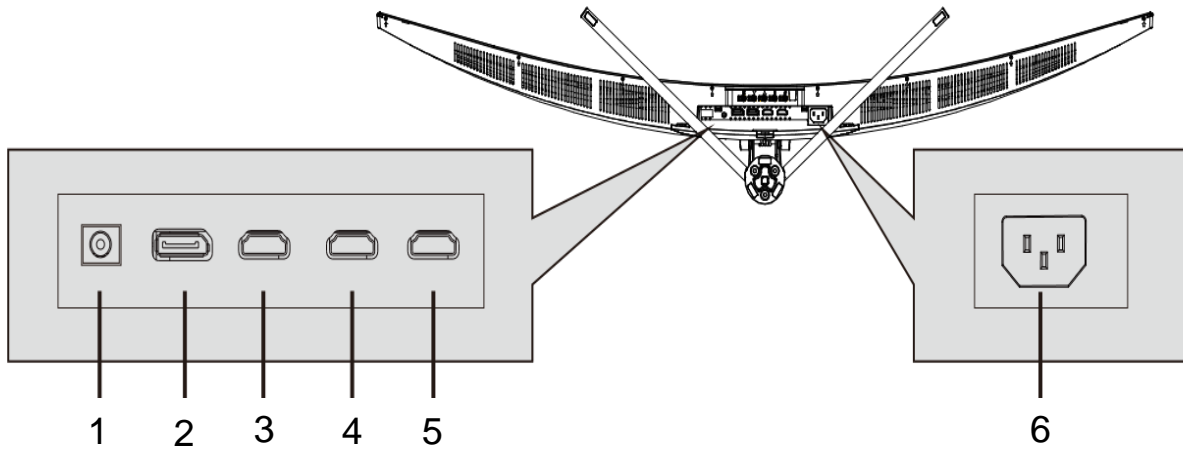
CONTROL PANEL

The controls are located centrally at the base of the monitor. Pressing any button when the On screen display is not visible will display the Quick Menu



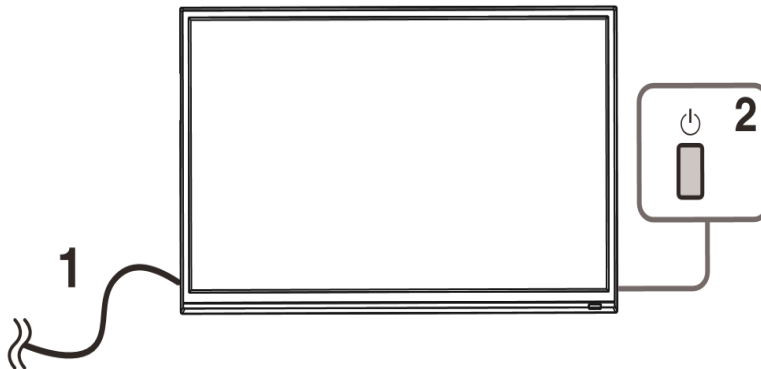
1	Menu
2	Down
3	Up
4	Exit
5	Power
6	Power indicator

INPUT / OUTPUT TERMINALS



1	Audio Output Socket
2	DISPLAY PORT (DP) Supports DP 1.2, 144Hz, Freesync
3	HDMI 1: Supports HDMI 2.0, 144Hz, Freesync
4	HDMI 2: Supports HDMI 1.4, 75Hz, Freesync
5	HDMI 3: Supports HDMI 1.4, 75Hz, Freesync
6	AC Power Socket

INITIAL SETUP

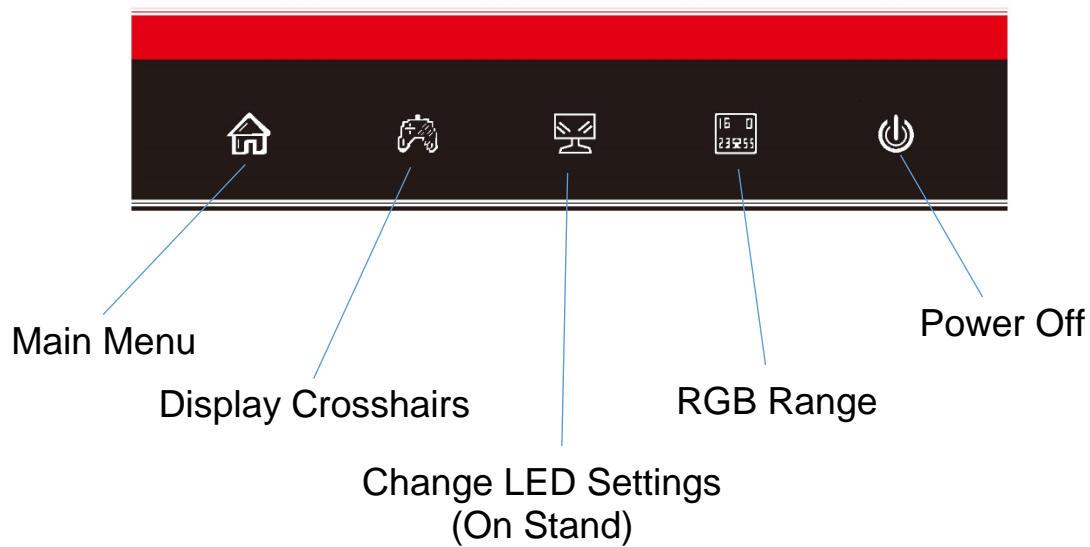


Connect the monitor to a power outlet.

1. Press the POWER button on the monitor or to turn it on (The indicator will be blue)
2. Connect the relevant cable to the corresponding input on the monitor. The source will be automatically detected.

QUICK MENU

Press any button when the on screen display is not visible to display the Quick Menu. Then Press the button below the item in the quick menu to select.

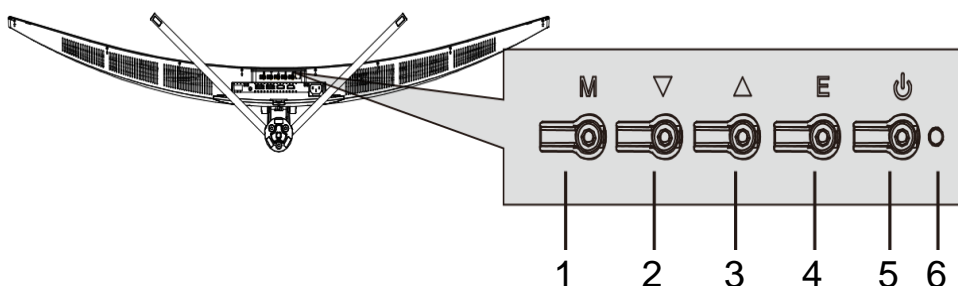


MENU OPTIONS

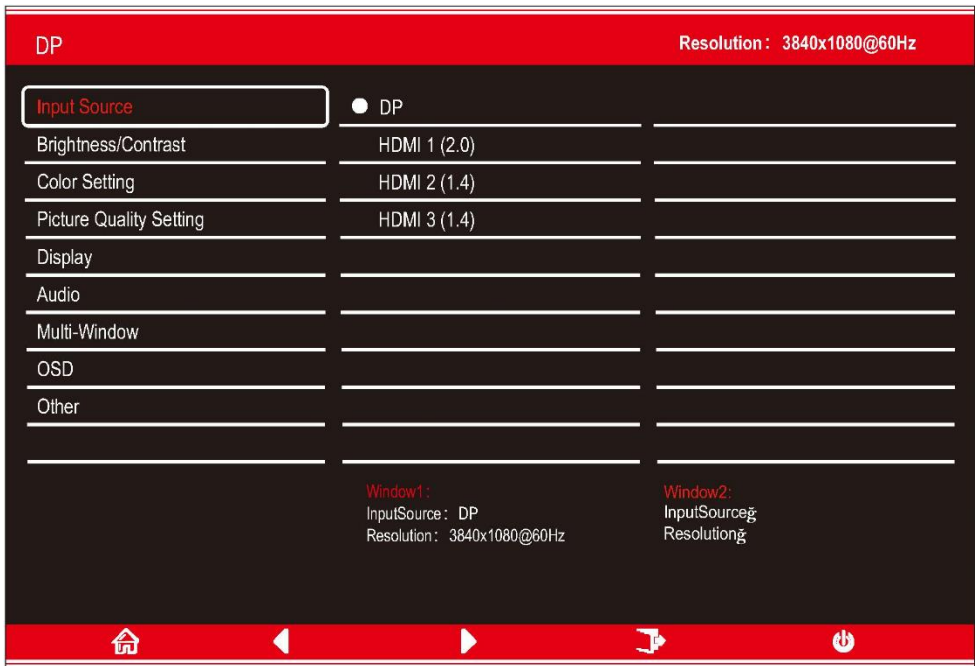
The main menu for the monitor can be accessed by selecting it within the Quick menu (See previous page). This menu is separated into the following sub menus: Picture Settings, Image Settings, Colour Temperature, OSD, Reset, and Miscellaneous options, details of each menu can be found in the following sections.

Within the Menu use:

UP (3) and DOWN (2)	Press to go up and down the current menu or to adjust the selected value.
MENU (1)	Press to select the currently highlighted item / enter the submenu. Once changes have been made to a value, press to save the changes.
EXIT (4)	Press to navigate to the previous menu. When at the highest level of the Menu, press to close the Menu. After changing a value within the menu, press to cancel the change.



INPUT SOURCE



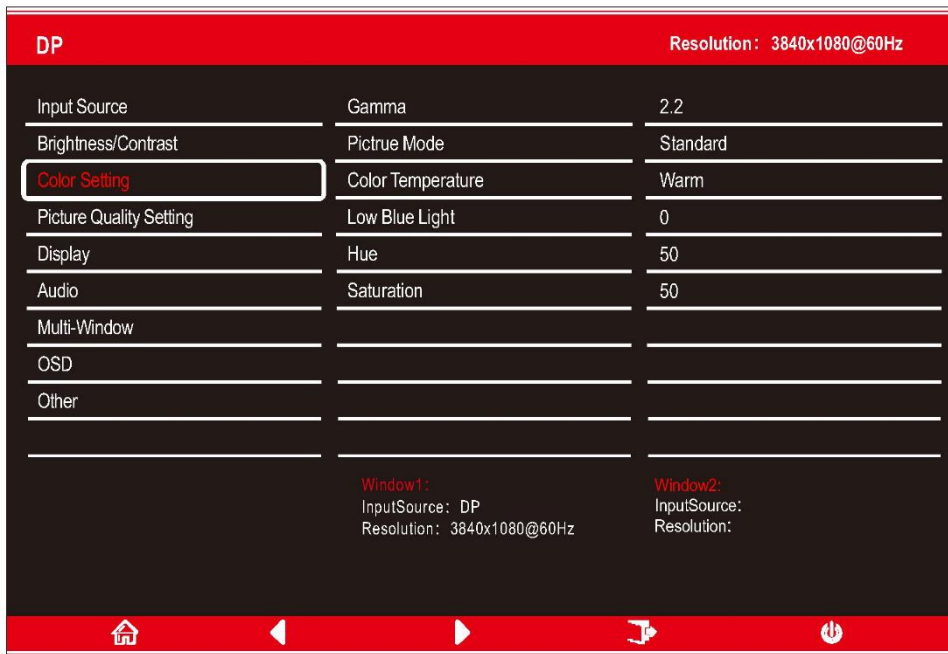
Change the input between DisplayPort (DP), HDMI 1, HDMI 2, or HDMI 3.

BRIGHTNESS/CONTRAST



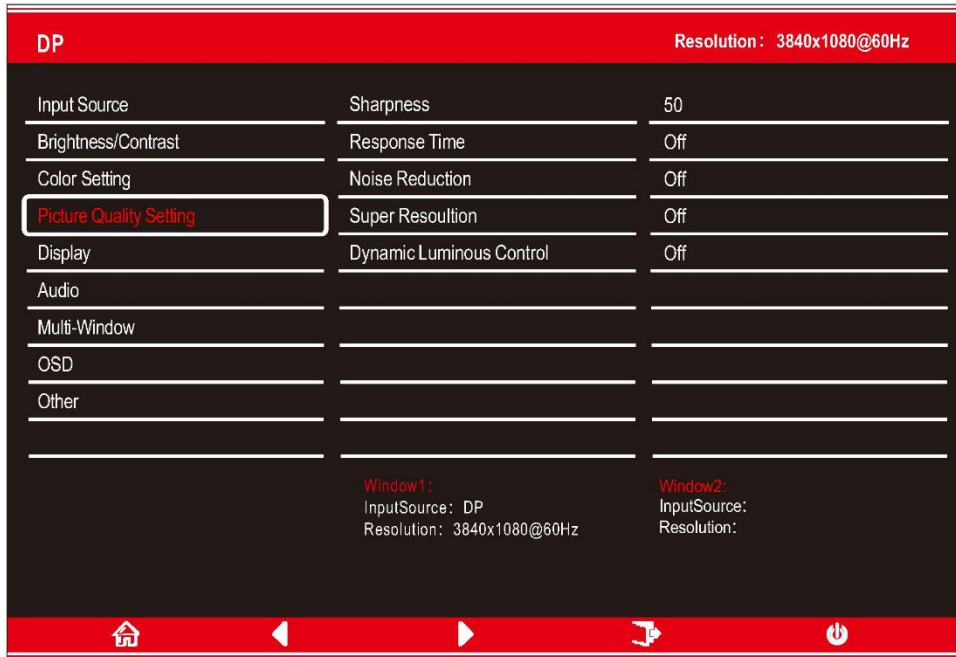
Brightness	Adjust the brightness of the display between 0 and 100.
Contrast	Adjust the contrast of the display between 0 and 100.
DCR	Turn the Dynamic Contrast Ratio feature On or Off.

COLOUR SETTINGS



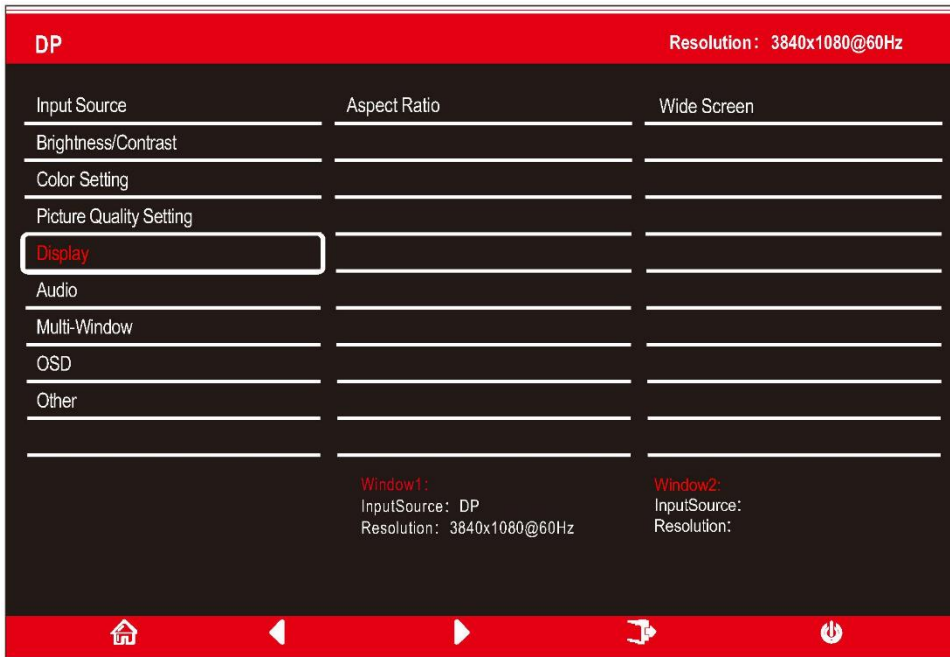
Gamma	Change the Gamma value for the display between 1.8, 2.0, 2.2, 2.4, or 2.6.
Picture Mode	Change the picture mode between Standard, Photo, Movie, Game, FPS and RTS
Colour Temperature	Change the Colour Temperature of the display to Warm, Cool or User. When the User Mode is selected, the Red, Green, and Blue values can be adjusted independently between 0 and 100.
Low Blue Light	Change the blue light emitted by the display between 0 and 100.
Hue	Change the Hue value between 0 and 100.
Saturation	Change the Saturation of the display between 0 and 100.

PICTURE QUALITY SETTING



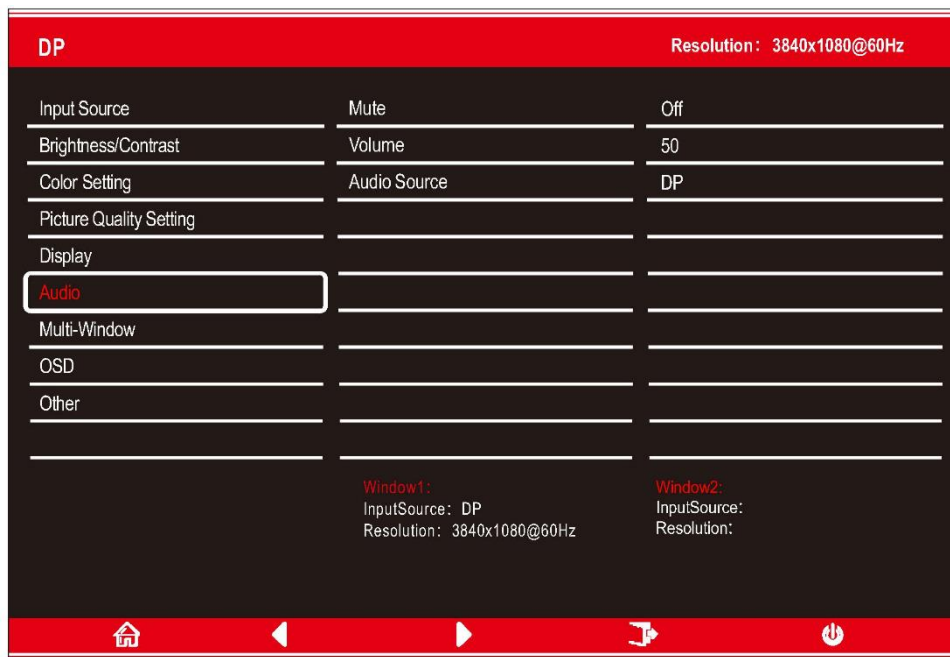
Sharpness	Change the display Sharpness between 0 and 100.
Response Time	Turn the Response OverDrive feature between Off, High, Middle of low
Noise Reduction	Adjust the level of Noise Reduction between Low, Medium, High, or Off.
Super Resolution	Change the Super Resolution between Off, High, Middle, or Low.
Dynamic Luminance Control	Turn the Dynamic Luminance Control feature On or Off.

DISPLAY



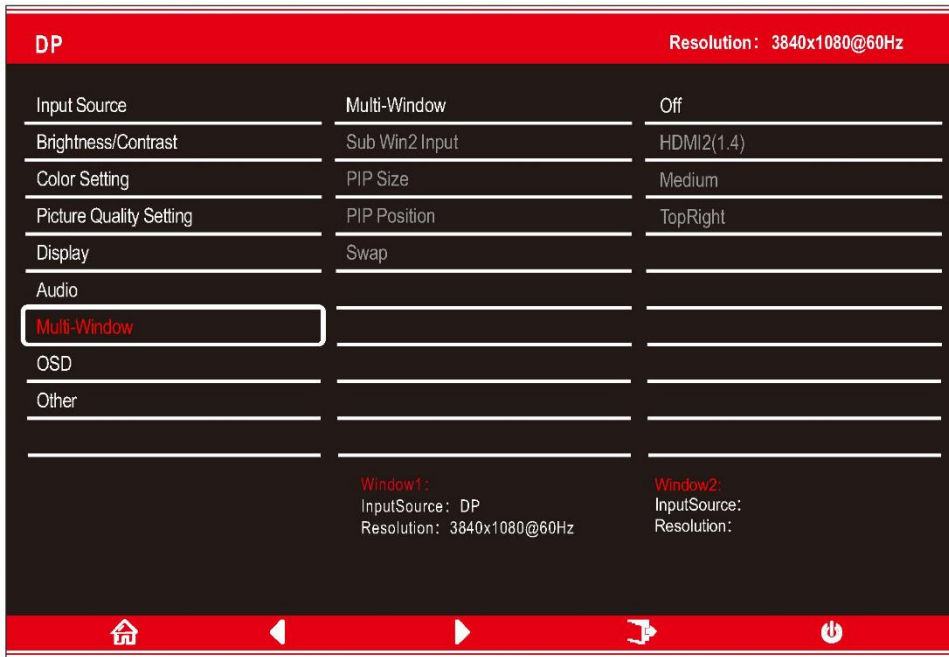
Aspect Ratio	Change the image aspect ratio to Wide screen, Auto, 4:3, or 1:1.
--------------	--

AUDIO



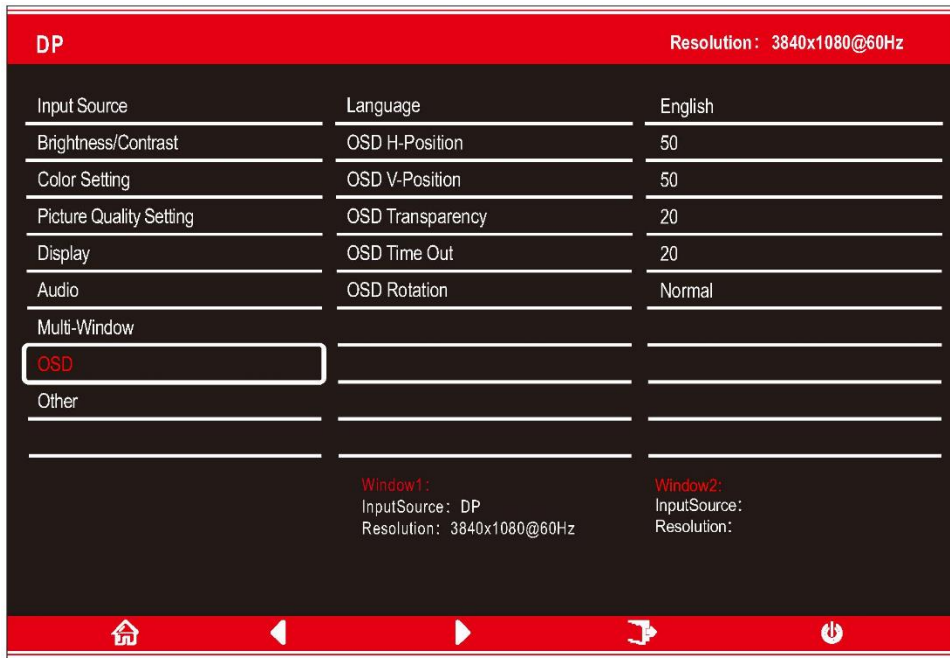
Mute	Turn On and off to mute and unmute the audio output.
Volume	Adjust the output volume between 0 and 100.
Audio Source	Chose which source the audio is output from.

MULTI-WINDOW



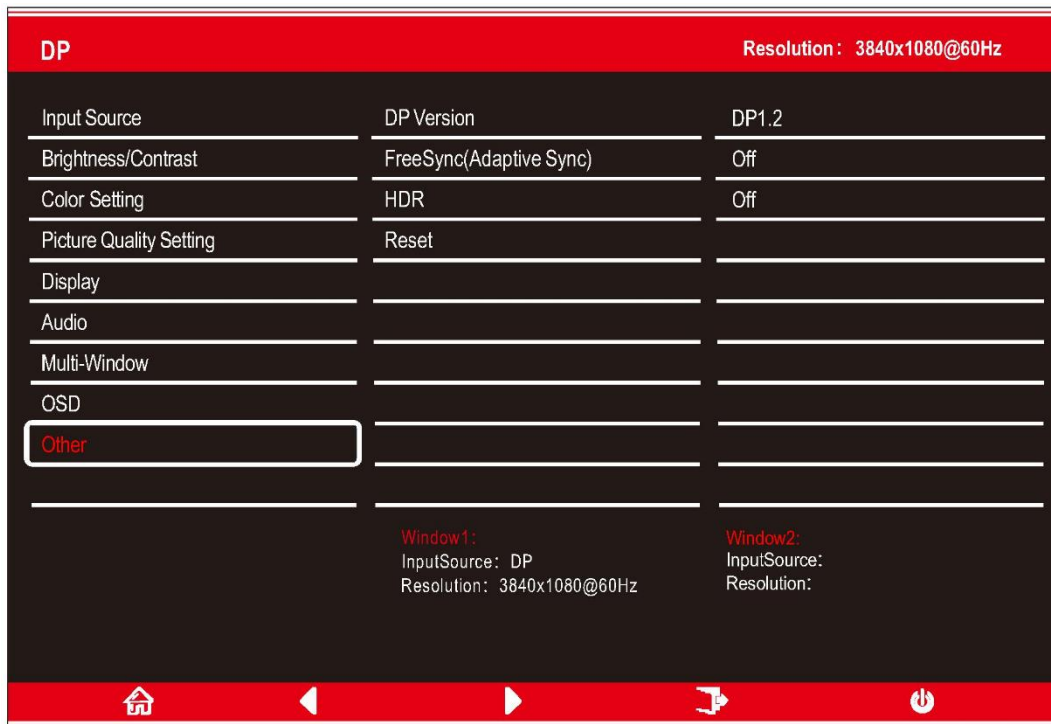
Multi-Window	Choose the different formats of multi window display between Off, Picture in Picture (PIP) and Picture By Picture (PBP 2Win)
Sub Win2 Input	Choose the source of the second window between HDMI 1, HDMI 2, and HDMI 3.
PIP Size	Adjust the size of the secondary source in PIP and PBP modes between Small, Medium and Large
PIP Position	Set the position of the secondary source in PIP and PBP modes between Top Right, Top Left, Bottom Right and Bottom Left.
SWAP	Swap the Primary and Secondary inputs on screen.

OSD



Language	Change the OSD Menu display language between English, Chinese, Korean, Russian, Spanish, Japanese and French.
OSD H Position	Change the horizontal position of the OSD Menu.
OSD V Position	Change the vertical position of the OSD Menu.
OSD Transparency	Change the transparency value of the OSD Menu between 0 and 100.
OSD Time Out	Change how long the OSD Menu is on before it automatically exits.
OSD Rotation:	Rotate the OSD Menu for ease of use on rotated screens.

OTHER



DP Version	Set the DP version between 1.1 and 1.2
FreeSync (AdaptiveSync)	Turn FreeSync On or Off.
HDR	HDR can be set to On, Off or Autodetect.
Reset	Restore factory default setting.

TECHNICAL SPECIFICATION

Product Model		eiQ-49SUWD144FSH	eiQ-49SUWD144FSHQ
Screen Size		49" Diagonal	49" Diagonal
Panel Type		VA Panel	QLED VA Panel
Aspect Ratio		32:9	32:9
Power Supply		AC 100-240V, 50/60Hz	AC 100-240V, 50/60Hz
Power Consumption		65W (Typical)	65W (Typical)
Dimensions		1198.5 x 471 x 245.6	1198.5 x 471 x 245.6
Net/Gross Weight		10.9 / 14.5	10.9 / 14.5
Audio Output Power (Internal)		3W	3W
Picture	Maximum Resolution	3840 x 1080 DFHD	3840 x 1080 DFHD
	Brightness	320 cd/m ²	320 cd/m ²
	Static Contrast	3000:1	3000:1
	Response time	8ms (GTG)	8ms (GTG)
	Viewing Angle (H/V)	178°/178°	178°/178°
Terminals	USB Input	N/A	N/A
	HDMI Input	X3 (1 x 2.0, 2 x 1.4)	HDMI 2.0 x 1, HDMI 1.4 x 2
	Display Port Input	DP 1.2 X1	DP 1.2 X1
	Audio Output	X1	X1
Working Temperature		0°C ~40°C	0°C ~ 40°C
Working Humidity		10% ~ 85% Non-condensing	10% ~ 85% Non-condensing

Note: Due to continued product development the specification shown above may change without notice.

PRODUCT DISPOSAL



Do not dispose this product as unsorted municipal waste. Collection of such waste must be handled separately as special treatment is necessary.

Recycling facilities are now available for all customers at which you can deposit your old electrical products. Customers will be able to take any old electrical equipment to participating civic amenity sites run by their local councils. Please remember that this equipment will be further handled during the recycling process, so please be considerate when depositing your equipment. Please contact the local council for details of your local household waste recycling centres.

SIMPLE TROUBLESHOOTING

If the display fails or the performance changes dramatically, check the display in accordance with the following instructions. Remember to check the peripherals to pinpoint the source of the failure.

Symptom	Solution
Power cannot be turned on. (Power indicator does not illuminate.)	<ul style="list-style-type: none"> • Check that both ends of the power cable are plugged into the socket appropriately and the wall socket is operational
No Input Signal message appears.	<ul style="list-style-type: none"> • Check that the input cable is connected properly. • Check that the power of the relevant peripherals is turned on. • Check that the selected source matches the input. • Factory reset the monitor, using the RESET option within the Main menu.
Flashing spots or stripes appear on the screen.	<ul style="list-style-type: none"> • Check that there are no emission (Car, HV cable or Neon lamp) or other possible interference sources.
Image colour or quality deteriorates.	<ul style="list-style-type: none"> • Check that all the video settings are adjusted appropriately, such as brightness, contrast, colour etc. • For more information about video settings, refer to OSD Functions
Screen position and size are incorrect.	<ul style="list-style-type: none"> • Check that the screen position and size is adjusted appropriately.
Image or colour is incorrect.	<ul style="list-style-type: none"> • Check that the signal line is connected properly. • When connecting to a PC, you can change the resolution of the PC to acquire the correct image. Discrepancies in the PC output signal may affect the display of the image.
Display warning message.	<ul style="list-style-type: none"> • Check that the input signal line is properly fixed. • Select the correct input source • For more information, refer to Supported Signal Modes

electriQ UK SUPPORT

Complete online support form on www.electriQ.co.uk/support

Service Line: 0871 620 1057

Office hours: 9AM - 5PM Monday to Friday

www.electriQ.co.uk
 Unit J6, Lowfields Business Park,
 Lowfields Way, Elland
 West Yorkshire, HX5 9DA