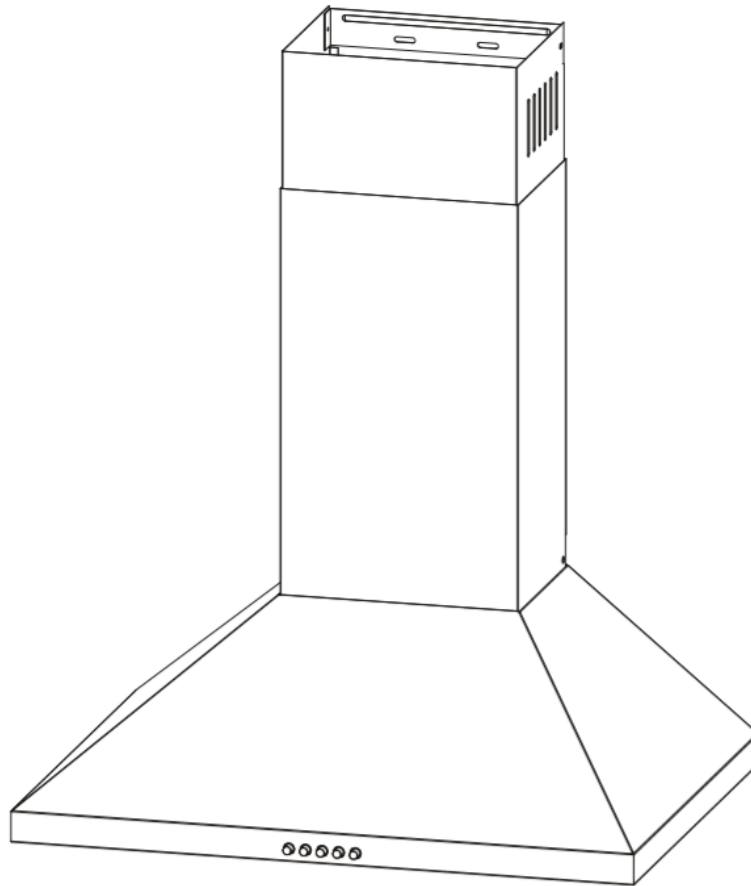


# electriciQ

## USER MANUAL



## COOKER HOOD

**eiq90chimbl / eiq90chimss**

Thank you for choosing electriciQ  
Please read this user manual before using this product and keep it safe for future reference.  
Visit our page [www.electriQ.co.uk](http://www.electriQ.co.uk) for our entire product range

## **CONTENTS**

SAFETY	3
OPTIONS FOR VENTILLATION	5
PARTS	6
INSTALLATION	7
OPERATION	12
CLEANING AND MAINTENACE	12
BULB REPLACEMENT	13
TROUBLESHOOTING	14
SUPPORT	15
TECHNICAL SPECIFICATION	16

## **SAFETY PRECAUTIONS**

Whilst this product is compliant with all safety requirements, incorrect or inappropriate use can lead to both personal injury and potential damage to property. Please read the contents of this instruction booklet thoroughly before fitting or using this appliance.

- The cooker hood must be installed in accordance with the installation instructions and all measurements followed.
- All installation work must be carried out by a competent person or qualified electrician.
- The unit must be connected to an earthed power supply.
- If venting externally, make sure the ducting has no bends sharper than 90 degrees as this will reduce the efficiency of the cooker hood.
- The cooker hood is for domestic use only and is not designed for commercial use. It should only be used for the purpose it was intended – to extract vapours and cooking odours.
- Do not flambé or use an open flame under the cooker hood.
- Do not try to use the cooker hood without the grease filters or if the filters are excessively greasy. They should be cleaned regularly (see “Maintenance”) or replaced as necessary.
- The extraction fan must be level to avoid grease collection at one end, as this could cause a potential fire risk.
- Do not leave frying pans unattended during use because overheated fat or oils might catch fire.
- If the cooker hood is damaged, do not attempt to use it.
- If the supply cord is damaged, it must be replaced by the manufacturer, its service agent or a similarly qualified person in order to avoid a hazard.
- This appliance can be used by children aged from 8 years and above and persons with reduced physical, sensory or mental capabilities or lack of experience and knowledge if they have been given supervision or instruction concerning use of the appliance in a safe way and understand the hazards involved.
- Children shall not play with the appliance. Cleaning and user maintenance shall not be made by children without supervision.
- Children should be supervised to ensure that they do not play with the appliance. It is not a toy.

- The plug must be accessible after installation for isolation in case of an emergency – or an appropriate fused switch if the unit is hard-wired to the mains via a spur.
- The minimum distance between the surface of the hob and the lowest part of the hood should be at least 65cm. A distance of between 65cm and 75cm gives peak efficiency.
- The air must not be discharged into a flue that is used for exhausting fumes from appliances burning gas or other fuels.
- When the hood is vented externally and used with appliances which burn fuel (e.g. gas, oil, wood) the area must be sufficiently ventilated to ensure safe operation. Fresh air must be allowed to freely enter the room to prevent a partial vacuum.
- A partial vacuum can starve the heating appliance of oxygen, impairing combustion. It can also prevent toxic fumes from leaving the room, or can cause fumes to be sucked into the room from outside.
- Safe operation is only possible when the partial vacuum within the working area does not exceed 4 Pa (0.04 mbar). This can be achieved by ensuring air is able to enter the room from outside through a suitable sized opening which cannot be sealed during operation. A number of alternative solutions are available to ensure this. If in any doubt, professional advice should be sought.
- Regulations concerning the discharge of air have to be fulfilled.
- There is a potential fire risk if cleaning is not carried out in accordance with the instructions.
- Clean your appliance periodically by following the method given in the chapter MAINTENANCE
- If used in recirculation mode, the charcoal filters trap odours and must be replaced at least once a year depending on how frequently the cooker hood has been used.
- For safety reasons, please use only the same size of fixing or mounting screw, which are recommended in this instruction manual.
- Warning: Failure to install the screws or fixing device in accordance with these instructions may result in electrical hazards

**CAUTION: Accessible parts of the hood can become very hot during use with cooking appliances, whether in use or not, due to heat rising from the hob. Sufficient time should be allowed for the unit to cool before touching either the housing or the grease filters**

## OPTIONS FOR VENTILATION

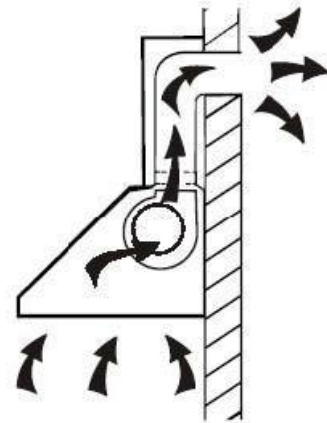
This hood can be set up for either external venting or recirculation of the air. The type of setup should be decided before commencing installation.

### EXTERNAL VENTING

If you have an outlet to the outside, your cooker hood can be connected as shown in the diagram using any suitable extraction duct (enamel, aluminium, flexible pipe or inflammable material with an interior diameter of 150mm) can be used.

An adaptor is supplied to enable you to connect your hood to pre-existing 120mm diameter ducting.

If this is the chosen installation method consideration to the route of the vent pipe should be made prior to installation.

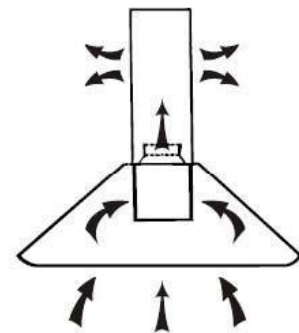


### RECIRCULATION

This cooker hood also supports the recirculation of air once it has passed through the filters. The filtered air is then expelled through the vent holes in the side of the chimney.

When setting the unit up in this configuration, carbon filters should also be used to remove odours from the air. Details of sourcing and fitting the filters can be found in the Carbon filter section.

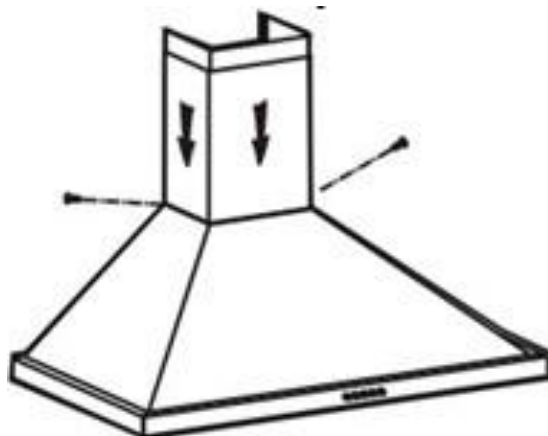
When setting up for recirculation the installation instructions should be followed, but a vent pipe should not be attached, and instead the air can be routed back into the room through the top of the unit.



## BEFORE USAGE

Before usage, read all the instructions and make sure that the voltage (V) and the frequency (Hz) indicated on the identification plate (found inside the cooker hood) and all the data inside the appliance are exactly the same as the voltage and frequency in your home.

Plug the power lead into the power socket (or if connecting directly to the mains via a switched spur, ensure the work is carried out by a competent, qualified person) and the cooker hood is then ready for use.



## UNPACKING YOUR APPLIANCE

- Please take great care when unpacking; a sharp blade should not be used to open the box, as it may go deep enough inside to damage components. Components damaged or marked by careless unpacking are not covered under the guarantee.
- Carefully unpack the contents and check against the section below (Parts) and the next section (Product overview).
- Packaging materials should be recycled in accordance with local regulations

## PARTS



7 x plastic expansion pipes



2 x Chimney



7 x Screws (ST5\*50)

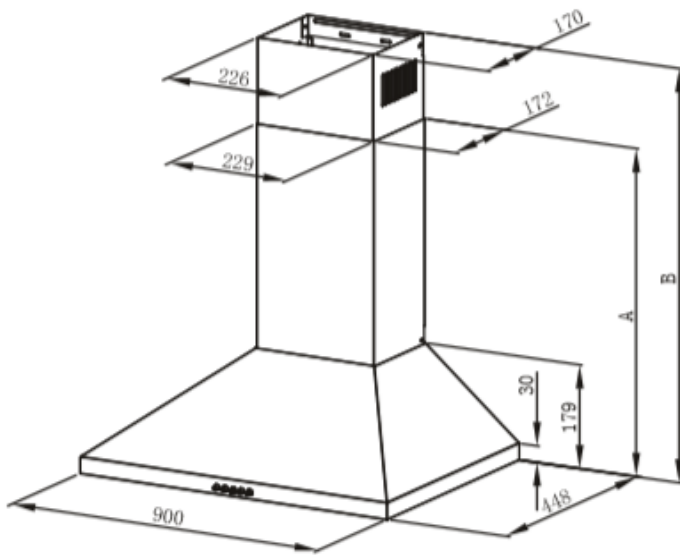
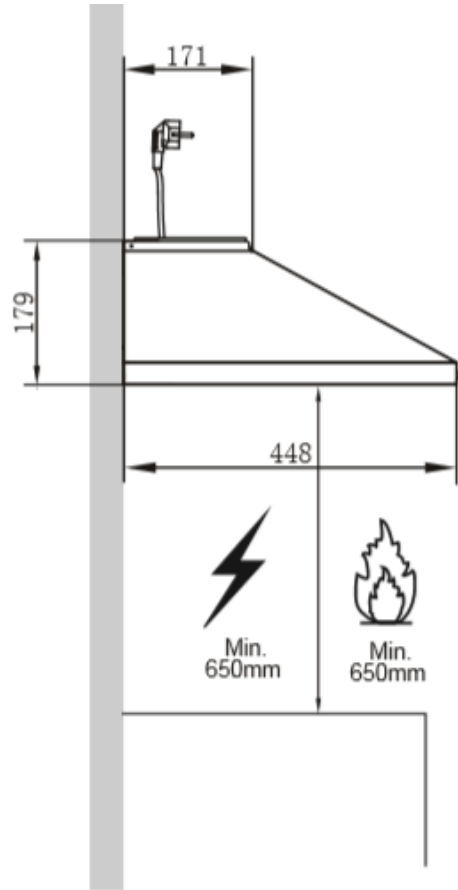
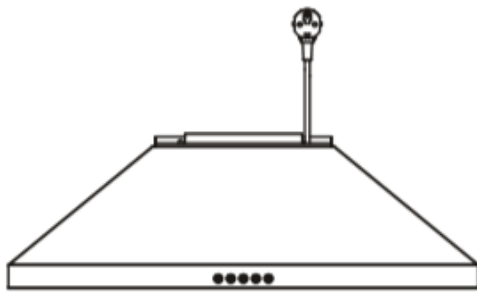
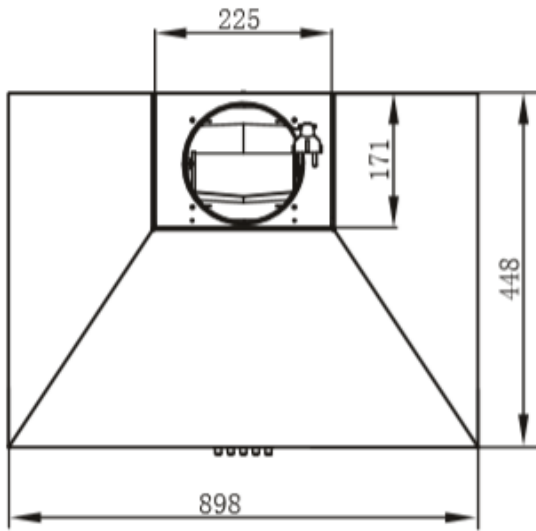


6 x Screws (M4\*8)



1 x Chimney installation plates (optional)

# INSTALLATION







6 x Wall plugs



Follow the diagram on the previous page for measurements and fix installation plate and screw two suspension screws (ST5\*50) into the wall plugs.

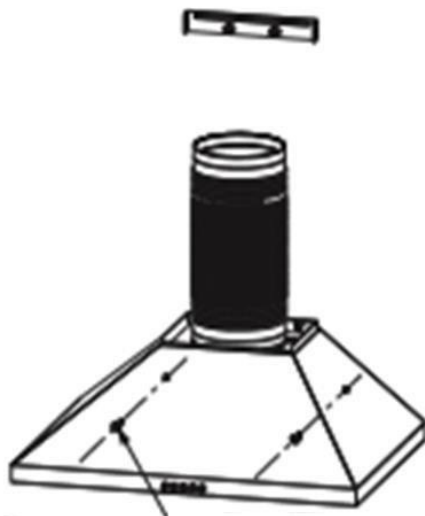
4 x screws (ST5\*50)



If you are using an exhaust pipe (not included) fit the pipe before hanging the hood.

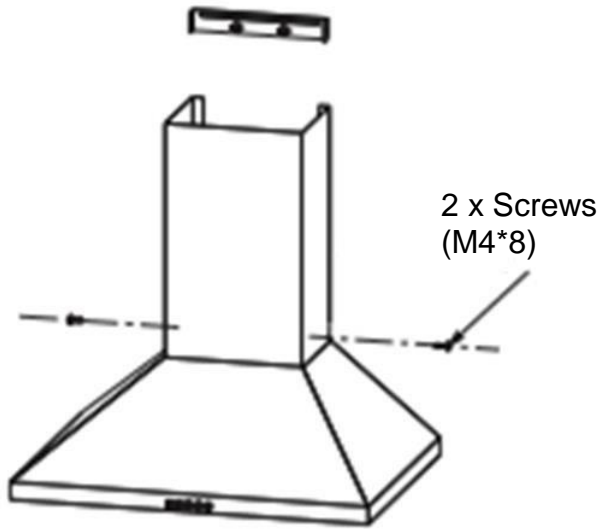


Hang the range hood on the previously installed suspension screws.



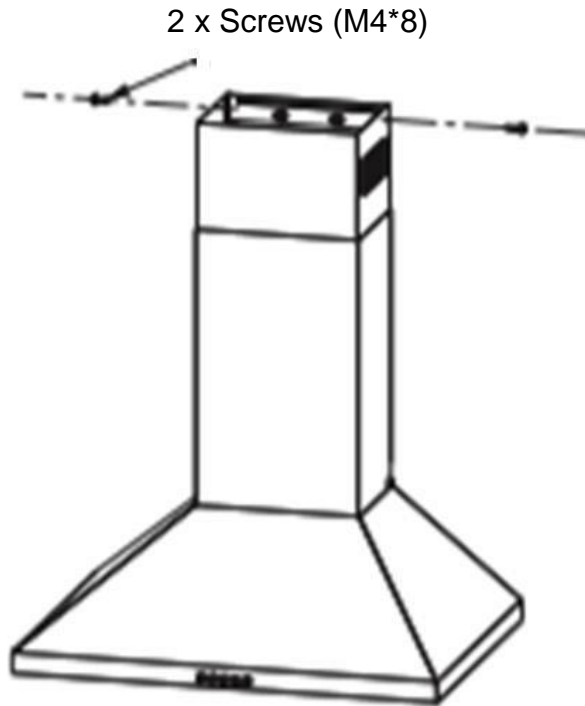
2 x Screws (ST5\*50)

Lock the suspension screws (ST5\*50) into place to prevent the range hood from accidentally falling during installation.

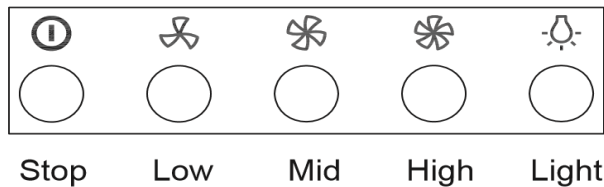


Fix the chimney into place with two M4x8 Screws.

Fix the inner chimney to the extension plate extension to the chimney with two M4x8 screws.



## OPERATION



<b>Stop</b>	The motor will stop running
<b>Low</b>	The motor runs at low speed
<b>Mid</b>	The motor runs at medium speed
<b>High</b>	The motor runs at high speed
<b>Light</b>	Turn the light on and off

## MAINTENANCE

Before cleaning, switch the unit off and pull out the plug, or switch off at the relevant mains switch if the unit has been hard-wired in. Make sure the unit has no power being fed to it.

### REGULAR CLEANING

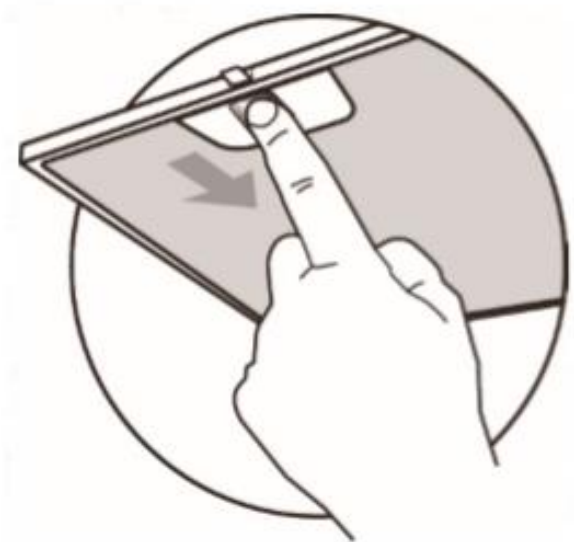
Use a soft cloth moistened with warm mildly soapy water or household cleaning detergent. Never use metal pads, chemicals, abrasive material or a stiff brush to clean the unit.

**NOTE:** Do not use a steam-cleaner to clean the hood; electrical components could be damaged or short-circuit as a result.

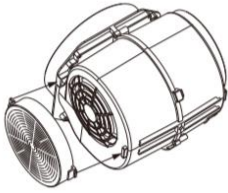
### CLEANING THE FILTERS

- Remove the filters by pulling the latch until the filter cover comes off.
- Put into a dishwasher with detergent, set the temperature below 60 degrees. Or wash by hand with warm soapy water, making sure to dry thoroughly.
- Make sure that the hood is disconnected from the mains before cleaning or maintenance.

Replacement filters can be bought from the supplier using the code eiqmidcar90chim (Carbon)  
eiqmchimfilter90 (Grease)



## CHARCOAL FILTER REPLACEMENT



Remove the metal grease filters. Remove the saturated activated charcoal filter. Fit the new filters. Replace the metal grease filters.

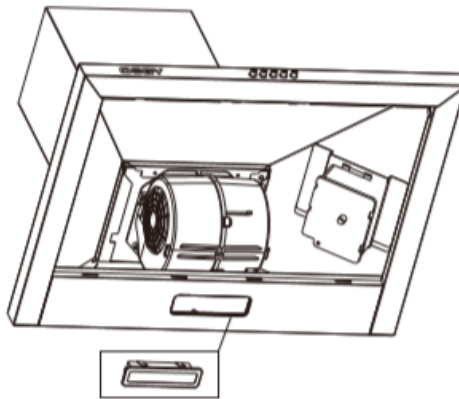
## LIGHT BULB REPLACEMENT


Before changing the bulb, ensure the hood is turned off and the power is disconnected before attempting to change the bulb. Wait until the flitting has cooled down before commencing replacement.

1. Remove the aluminum grease filter from the hood.
2. Locate the top of the bulb and begin to gently unscrew it until it is has come out of the unit.  
Do not use force, as this may shatter the bulb and cause injury.
3. Replace with a new bulb, following the previous steps in reverse order.
4. Refit the aluminum grease filters.

## IMPORTANT

- If a bulb is found to be defective, it should be replaced immediately.
- Always switch off the electricity supply before carrying out any operations on the appliance.  
When handling the bulb, make sure it has completely cooled down before touching.



	Max power	Voltage	Picture	Lamp Cap	ILCOS D code
Self-ballasted LED modules	1.5W	220-240V	 Square/Diameter:33.2mmx120mm		DBS-1.5-H-33.2/120

## TROUBLESHOOTING

Fault	Cause	Solution
Light on, but fan does not work	The fan blade is jammed.	Switch off the unit. Repair to be carried out by qualified service personnel only.
	The motor is damaged.	
Both light and fan do not work	Light has blown.	Replace the lamp with correct rating.
	Power cord loose.	Plug in to the power supply again.
Grease or oil leaking from the underside of the hood	Outlet and/or air ventilation connections are not tightly sealed	Ensure connections on the ventilation hose are tight.
	Grease filters clogged	Wash or replace the grease filters.
Excessive Vibration	The fan blade is damaged.	Switch off the unit. Repair to be carried out by qualified service personnel only.
	The fan motor is not fixed tightly.	Switch off the unit. Repair to be carried out by qualified service personnel only.
	The unit is not hung properly on the bracket.	Take down the unit and check whether the bracket is in proper location.
Poor suction performance	<ol style="list-style-type: none"> <li>1 Are the grease filters clogged?</li> <li>2 Distance between the unit and the cooking plane too great.</li> </ol>	<ol style="list-style-type: none"> <li>1 Clean or replace grease filters.</li> <li>2. Adjust the distance to between 70cm and 80cm.</li> </ol>

## **electriQ UK SUPPORT**

### **INFORMATION FOR DISMANTLING**

Do not dismantle the appliance in any way which is not shown in the user manual. The appliance must not be dismantled by an unqualified person. At the end of its life, the appliance should not be disposed of with general household waste. Check with your Local Authority or retainer for recycling advice.

[www.electriQ.co.uk/support](http://www.electriQ.co.uk/support)

Call: 0871 984 4416

Office hours: 9AM - 5PM Monday to Friday

[www.electriQ.co.uk](http://www.electriQ.co.uk)

Unit J6, Lowfields Business Park  
Lowfields Way, Elland  
West Yorkshire, HX5 9DA



Recycling facilities are now available for all customers at which you can deposit your old electrical products. Customers will be able to take any old electrical equipment to participating sites run by their local councils. Please remember that this equipment will be further handled during the recycling process, so please be considerate when depositing your equipment. Please contact the local council for details of your local household waste recycling centers.

## PRODUCT FICHE

Model Identification	eiQ90CHIMSS、eiQ90CHIMBL		
	Symbol	Value	Unit
Annual Energy Consumption	AEChood	26.3	kWh/A
Standard Annual Energy Consumption	SAEChood	43.2	kWh/a
Time increase factor	F	1.4	
Fluid Dynamic Efficiency	FDEhood	15.8	
Energy Efficiency Index	EElhood	60.9	
Measured air flow rate at best efficiency point	QBEP	188.2	m <sup>3</sup> /h
Measured air pressure at best efficiency point	PBEP	149	Pa
Maximum air flow	Qmax	333.3	m <sup>3</sup> /h
Measured electric power input at best efficiency point	WBEP	49.4	W
Nominal power of the lighting system	WL	1.5*1	W
Measured power of the lighting system	WL	1.4	W
Measured value of the Lighting Efficiency	LEhood	35	Lux/W
Average illumination of the lighting system on the cooking surface	Emiddle	49	lux
Measured power consumption in standby mode	Ps	N/A	W
Measured power consumption off mode	Po	0	W
Tested according to EN 50564:2011			
Sound power level	LWA	Minimum speed: 52 Maximum speed: 65	dB
Tested according to EN 60704-2-13:2011, EN 60704-1:2010 + A11:2012			