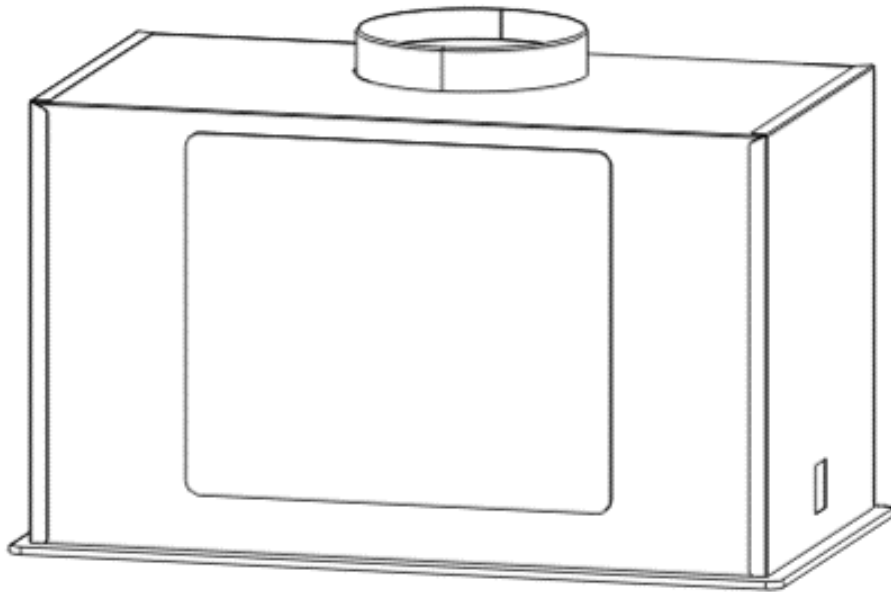


electriQ

USER MANUAL



BUILT IN COOKER HOOD

eiQ52CANGW/BL eiQ72GWCAN eiQ72GBLCAN

Thank you for choosing electriQ
Please read this user manual before using this
product and keep it safe for future reference.
Visit our page www.electriQ.co.uk for our entire product range

CONTENTS

SAFETY	3
UNPACKING	5
PRODUCT OVERVIEW	6
INSTALLATION	7
OPERATION	9
CLEANING AND MAINTENANCE	10
LIGHT BULB REPLACEMENT	10
TROUBLESHOOTING	11
TECHNICAL SPECIFICATIONS	12
SUPPORT	13

SAFETY PRECAUTIONS

Whilst this product is compliant with all safety requirements, incorrect or inappropriate use can lead to both personal injury and potential damage to property. Please read the contents of this instruction booklet thoroughly before fitting or using this appliance.

- The cooker hood must be installed in accordance with the installation instructions and all measurements followed.
- All installation work must be carried out by a competent person or qualified electrician.
- The unit must be connected to an earthed power supply.
- If venting externally, make sure the ducting has no bends sharper than 90 degrees as this will reduce the efficiency of the cooker hood.
- The cooker hood is for domestic use only and is not designed for commercial use. It should only be used for the purpose it was intended – to extract vapours and cooking odours.
- Do not flambé or use an open flame under the cooker hood.
- Do not try to use the cooker hood without the grease filters or if the filters are excessively greasy. They should be cleaned regularly (see “Maintenance”) or replaced as necessary.
- The extraction fan must be level to avoid grease collection at one end, as this could cause a potential fire risk.
- Do not leave frying pans unattended during use because overheated fat or oils might catch fire.
- If the cooker hood is damaged, do not attempt to use it.
- If the supply cord is damaged, it must be replaced by the manufacturer, its service agent or a similarly qualified person in order to avoid a hazard.
- This appliance can be used by children aged from 8 years and above and persons with reduced physical, sensory or mental capabilities or lack of experience and knowledge if they have been given supervision or instruction concerning use of the appliance in a safe way and understand the hazards involved.
- Children shall not play with the appliance. Cleaning and user maintenance shall not be made by children without supervision.
- Children should be supervised to ensure that they do not play with the appliance. It is not a toy.
- The plug must be accessible after installation for isolation in case of an emergency – or an appropriate fused switch if the unit is hard-wired to the mains via a spur.

- The minimum distance between the surface of the hob and the lowest part of the hood should be at least 65cm. A distance of between 65cm and 75cm gives peak efficiency.
- The air must not be discharged into a flue that is used for exhausting fumes from appliances burning gas or other fuels.
- When the hood is vented externally and used with appliances which burn fuel (e.g. gas, oil, wood) the area must be sufficiently ventilated to ensure safe operation. Fresh air must be allowed to freely enter the room to prevent a partial vacuum.
- A partial vacuum can starve the heating appliance of oxygen, impairing combustion. It can also prevent toxic fumes from leaving the room, or can cause fumes to be sucked into the room from outside.
- Safe operation is only possible when the partial vacuum within the working area does not exceed 4 Pa (0.04 mbar). This can be achieved by ensuring air is able to enter the room from outside through a suitable sized opening which cannot be sealed during operation. A number of alternative solutions are available to ensure this. If in any doubt, professional advice should be sought.
- Regulations concerning the discharge of air have to be fulfilled.
- There is a potential fire risk if cleaning is not carried out in accordance with the instructions.
- Clean your appliance periodically by following the method given in the chapter MAINTENANCE
- If used in recirculation mode, the charcoal filters trap odours and must be replaced at least once a year depending on how frequently the cooker hood has been used.
- For safety reasons, please use only the same size of fixing or mounting screw, which are recommended in this instruction manual.
- Warning: Failure to install the screws or fixing device in accordance with these instructions may result in electrical hazards

CAUTION: Accessible parts of the hood can become very hot during use with cooking appliances, whether in use or not, due to heat rising from the hob. Sufficient time should be allowed for the unit to cool before touching either the housing or the grease filters

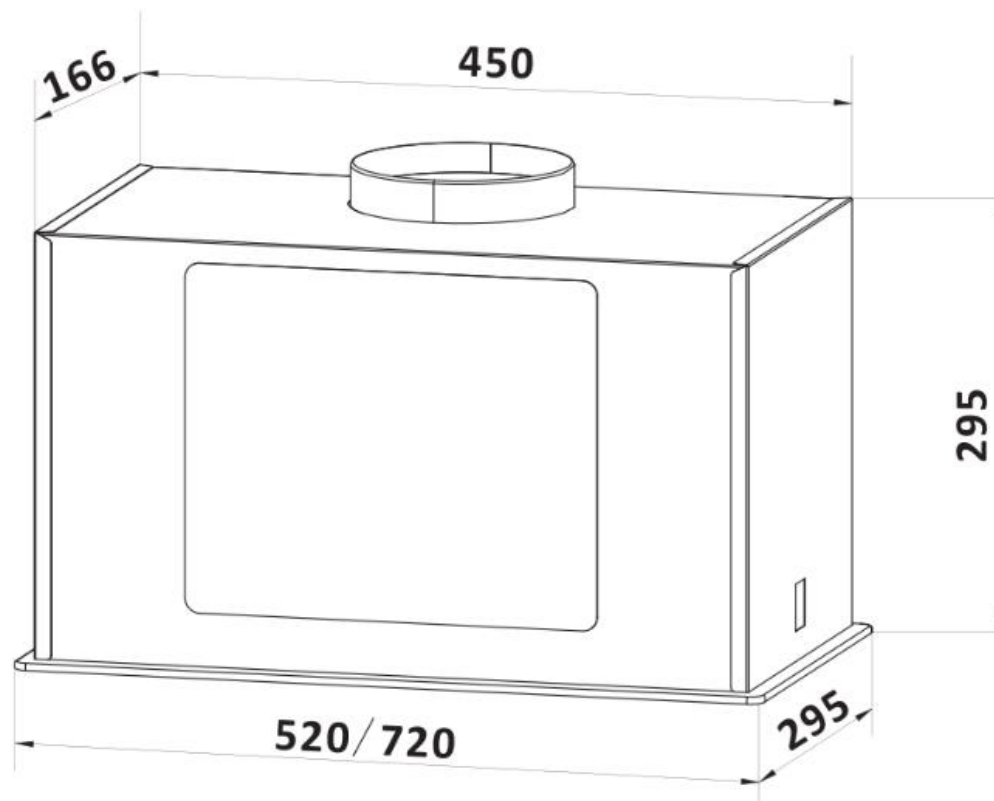
BEFORE USAGE

Before usage, read all the instructions and make sure that the voltage (V) and the frequency (Hz) indicated on the identification plate (found inside the cooker hood) and all the data inside the appliance are exactly the same as the voltage and frequency in your home.

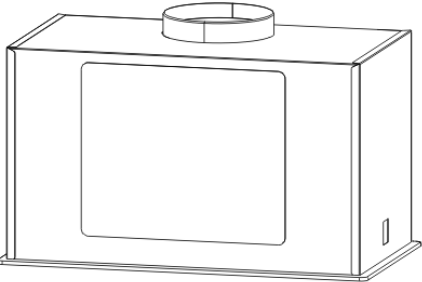

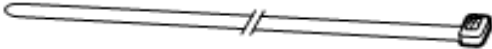

Plug the power lead into the power socket (or if connecting directly to the mains via a switched spur, ensure the work is carried out by a competent, qualified person) and the cooker hood is then ready for use.

UNPACKING YOUR APPLIANCE

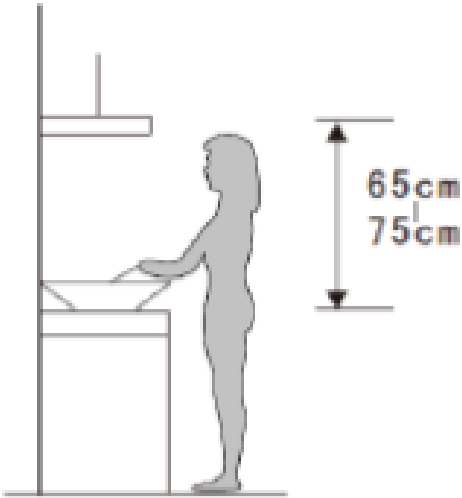
- Please take great care when unpacking; a sharp blade should not be used to open the box, as it may go deep enough inside to damage components. Components damaged or marked by careless unpacking are not covered under the guarantee.
- Carefully unpack the contents and check against the section below (Parts) and the next section (Product overview).
- Packaging materials should be recycled in accordance with local regulations



PRODUCT OVERVIEW - PARTS SUPPLIED

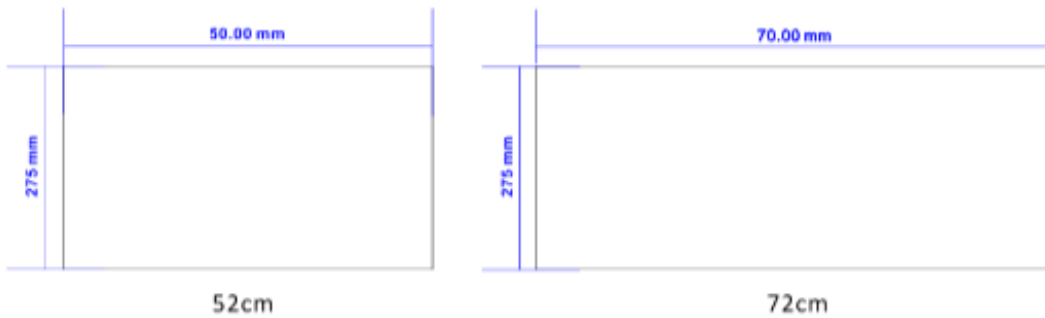
DESCRIPTION	ILLUSTRATION	Qty.
Cooker hood		1
Adaptor		1
Cable Tie		1
Air Flap		2

INSTALLATION

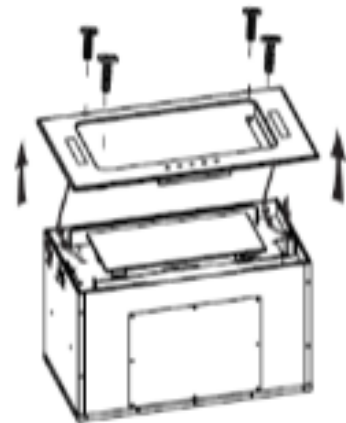


1. The cooker hood should be placed at a distance of 65-75cm (26-30inch) from the cooking surface.

2. Drill a hole of 500*275(mm) for 52CM and 700*275(mm) for model 72CM in the cabinet.

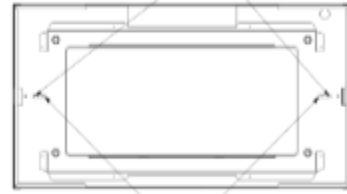


3. Unscrew the 4 screws on the outer glass frame panel, pull out the light wire, take down the outer glass frame panel.

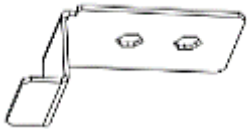


4. There are metal sliders at both sides, connecting with 2 screws per each slider. Screw out the outer 2 screws on both sliders, keep these screws safe. Loosen the inner 2 screws, so that the slider can move to inside or outside the body.

Screw out the outer 2 screws



Loosen the inner 2 screws



5. Move the slider inside the hood body, put the hood into the cabinet. Then move the slider outside the body so that the hood can be mounted onto the cupboard. Tighten up the screws on the sliders so that they can be firmly fixed.

6. Connect the light wire and assemble the outer glass frame panel by 4 screws.

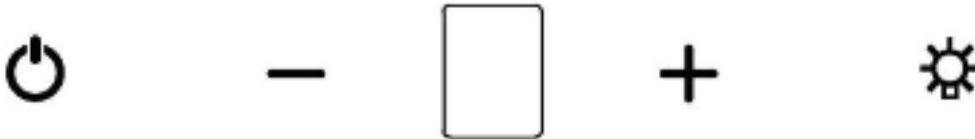
7. Install the outlet and expansion pipe: install the outlet on the cooker hood, then cover the expansion pipe on the outlet and lead it to outdoor.

CARBON FILTER (Available separately)

Activated carbon filters can be used to trap odors, and must be used if the hood is not vented to the outside. They are available from the same stockist you purchased the hood from under the following reference: **EIQTMCARBONCURV**

OPERATION

TOUCH CONTROL (T10)



ON/OFF BUTTON

Press to turn the unit ON/ OFF

POWER DOWN BUTTON

When in use, press this button to decrease the power by one level.

DIGITAL DISPLAY

The units current speed will be displayed.

POWER UP BUTTON

When in use, press this button to increase the power one level.

LIGHT BUTTON

Press once to turn the lights on, press again to turn the lights off.

DELAY FUNCTION

When the motor is on, press the light button for 3 seconds to set 5 minutes delay, the number on the display screen will flash when the delay function is activated. Press the light button again to cancel the delay, the display screen will not flash when the delay has been cancelled.

MAINTENANCE

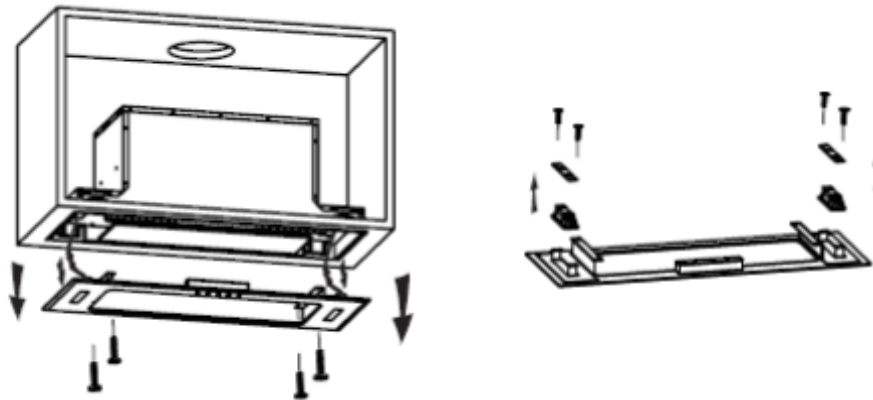
Before cleaning, switch the unit off and pull out the plug, or switch off at the relevant mains switch if the unit has been hard-wired. Make sure the unit has no power being fed to it.

REGULAR CLEANING

Use a soft cloth moistened with hand-warm mildly soapy water or household cleaning detergent. Never use metal pads, chemicals, abrasive material or a stiff brush to clean the unit.

NOTE: Do not use a steam-cleaner to clean the hood; electrical components could be damaged or short-circuit as a result.

LIGHT BULB REPLACEMENT



1. Unscrew the 4 screws on the outer glass frame.
2. Pull out the light wire and take down the outer glass frame.
3. Unscrew the screws on the light bracket and replace the light.
4. Connect the light wire and assemble the outer glass from panel in the reverse order of the previous steps.

LIGHT SPECIFICATIONS

MAX WATTAGE	2W
LED MODULES	Rectangle LED Lamp
VOLTAGE RANGE	DC 12 V

TROUBLESHOOTING

Fault	Cause	Solution
Light on, but fan does not work	The fan blade is jammed.	Switch off the unit. Repair to be carried out by qualified service personnel only.
	The motor is damaged.	
Both light and fan do not work	Halogen light bulb blown	Replace the bulb with correct rating.
	Power cord loose	Plug in to the power supply again.
Excessive Vibration	The fan blade is damaged.	Switch off the unit. Repair to be carried out by qualified service personnel only.
	The fan motor is not fixed tightly.	Switch off the unit. Repair to be carried out by qualified service personnel only.
	The unit is not hung properly on the bracket.	Take down the unit and check whether the bracket is in proper location.
Suction performance not good	<ol style="list-style-type: none"> 1 Grease filters clogged? 2 Distance between the unit and the cooking plane too great. 	<ol style="list-style-type: none"> 1 Clean or replace grease filters. 2 Adjust the distance to between 70cm and 80cm.

SPECIFICATION

	Symbol	Value	Unit
Annual Energy Consumption	AEC_{hood}	47.29	kWh/a
Time increase factor	f	1.28	
Fluid Dynamic Efficiency	FDE_{hood}	20.01	
Energy Efficiency Index	EEI_{hood}	67.79	
Measured airflow rate at the best efficiency	Q_{BEP}	240.89	m ³ /h
Measured air pressure at best efficiency point	P_{BEP}	284.16	Pa
Maximum airflow	Q_{max}	455.58	m ³ /h
Measured electric power input at best efficiency point	W_{BEP}	95	W
Nominal power of the lighting system	W_L	4	W
Average illumination of the lighting system on the cooking surface	E_{middle}	114.4	lux
Measured power consumption on standby mode	P_S	/	W
Measured power consumption on off mode	P_O	0.417	W
Sound power level	L_{WA}	70	dB

INFORMATION FOR DISMANTLING

Do not dismantle the appliance in a way which is not shown in the user manual. The appliance could not be dismantled by user. At the end of life, the appliance should not be disposed of with household waste. Check with your Local Authority or retailer for recycling advice.

INFORMATION FOR DISMANTLING

Do not dismantle the appliance in any way which is not shown in the user manual. The appliance must not be dismantled by an unqualified person. At the end of its life, the appliance should not be disposed of with general household waste. Check with your Local Authority or retailer for recycling advice.

electriQ UK SUPPORT

www.electriQ.co.uk/support

Call: 0871 984 4416

Office hours: 9AM - 5PM Monday to Friday

www.electriQ.co.uk

Unit J6, Lowfields Business Park
Lowfields Way, Elland
West Yorkshire, HX5 9DA



Recycling facilities are now available for all customers at which you can deposit your old electrical products. Customers will be able to take any old electrical equipment to participating sites run by their local councils. Please remember that this equipment will be further handled during the recycling process, so please be considerate when depositing your equipment. Please contact the local council for details of your local household waste recycling centers.