

electric*IQ*

USER MANUAL



WIRED CONTROLLER

eiQ-WIREDCASCTRLC

Read these instructions carefully and keep them safe for future reference.

CONTENTS

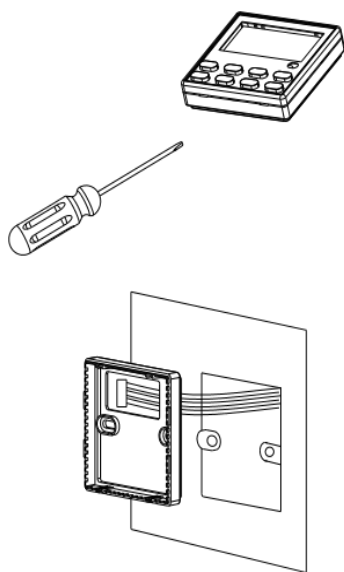
SAFETY WARNINGS	3
INSTALLATION	4
CONTROL PANEL	5
DISASSEMBLY	7
SUPPORT	7

SAFETY WARNINGS

- Before attempting installation the Installation Manual must be fully read and understood.
- Check the product model and specification to ensure they meet the requirements of the appliance before installation.
- When choosing a suitable position for installation, consideration should be made to avoid external influences which may damage the unit, shorten its life, or make the unit unsafe. Places to avoid include:
 1. Areas in the vicinity of flammable gasses.
 2. Areas where the unit may be splashed by liquids or oils.
 3. Areas likely to experience extremes of temperature.
 4. Areas exposed to high levels of electromagnetic radiation.
 5. Any place with high levels of humidity.
- This unit is designed to be installed by a professional air conditioning engineer.
- Do not operate this machine with wet hands or allow it to come into contact with water. An electric shock or short circuit may occur.
- Do not attempt to modify or repair the unit. This must only be attempted by a qualified engineer under the instruction of the manufacturer.
- Ensure that the power supply is disconnected from the unit before attempting to open the shell.
- Ensure the interconnecting cables are suitably rated for the application and that they are routed in a way to prevent damage during installation and use.
- This unit is only designed for use with the air conditioners listed. Do not attempt installation with any other equipment without confirmation from the manufacturer.
- Ensure that any fixings used to wall mount the unit are suitable for the type of wall.
- Before drilling holes, care should be taken to avoid any hidden pipework or cables. If in doubt professional advice should be sought.
- Maintenance and repair of this product should only be carried out by a qualified professional.
- Keep this manual safe for future reference or for use by a third party.
- The correct use of this product is detailed in this manual. Failure to follow the instructions may result in damage or injury.
- All installation and service carried out on the appliance must conform to the corresponding local standards, laws and regulations.

NOTE: Due to continuous product development, the product may vary slightly from the illustrations provided.

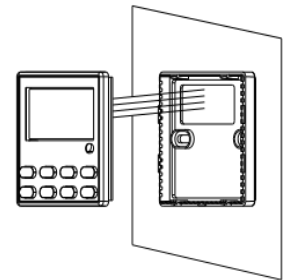
INSTALLATION



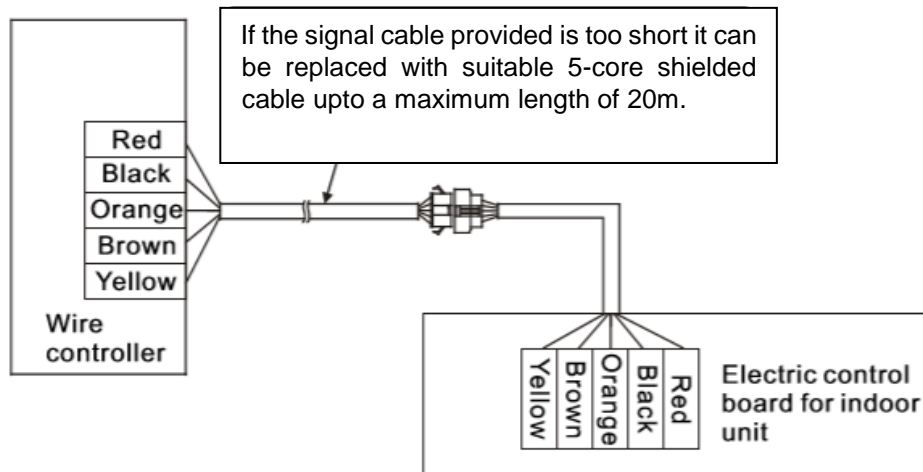
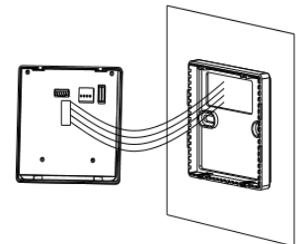
Remove the wired controller from the backing plate using a flat head screwdriver in the gap between the backing plate and the controller. Once the two parts are separated, the remainder can be unclipped.



Pass the signal wire through the opening in the rear of the backing plate, ensuring it is positioned so it will not be trapped or damaged during installation. Allow enough cable to pass through for ease of installation and future maintenance.



Connect the signal wires to the rear of the wired controller using the diagram below for guidance if required.



- Use the screws provided (M4x25) to fix the controller backing plate onto the wall, ensuring that it is securely connected before proceeding. Depending on the type of wall, suitable fixings should be purchased.

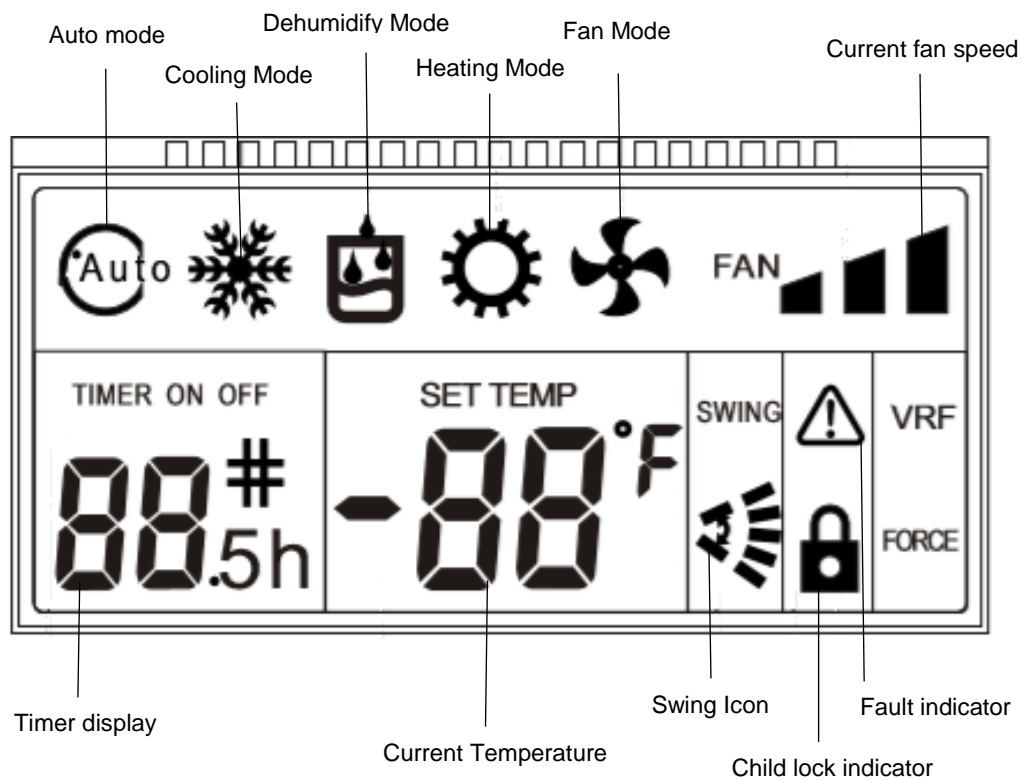
NOTE: Do not overtighten the screws, as this may cause the backing plate to distort or break.

CONTROL PANEL



Standard wire controller

The panel is used to control the functions of the air conditioner, and display the settings currently selected.








ON/OFF BUTTON:

Press to turn the air conditioner ON and OFF

MODE BUTTON:

When the air conditioning is on, the mode button is used to change the operating mode of the air conditioner between:

 AUTO	Auto Mode		Heating Mode		Dehumidify Mode
	Cooling Mode		Fan Mode		

TEMP+ AND TEMP-

These buttons are used to increase or decrease the temperature of the unit.

CHILD LOCK

Press and hold the TEMP+ and TEMP- buttons at the same time to lock the buttons on the controller. The LCD will display the lock icon when this is in effect. To deactivate the child lock, press both buttons again at the same time.

TIMER BUTTON:

Use to set an On or Off timer with a duration between 1 and 24 hours.

ON TIMER – The timer will turn on the unit automatically after the time set has elapsed.

1. When on standby, press the TIMER button, then set the number of hours' time you desire the unit to start by repeatedly pressing the TIMER button.
2. Once the set time has elapsed, the unit will turn on automatically.

OFF TIMER – The timer will turn off the unit automatically after the time set has elapsed.

1. While the unit is operating, press the TIMER button then set the number of hours' time you desire the unit to stop by repeatedly pressing the TIMER button.
2. Once the set time has elapsed, the unit will turn off automatically.

FAN BUTTON:

The fan speed button is only available in cooling, heating and fan modes. Press the fan speed button to change between the available fan speeds.

SWING BUTTON:

Press the Swing button to activate the swing function on the air conditioner. Press the button again to cancel swing mode.

ENERGY SAVING / QUERY BUTTON:

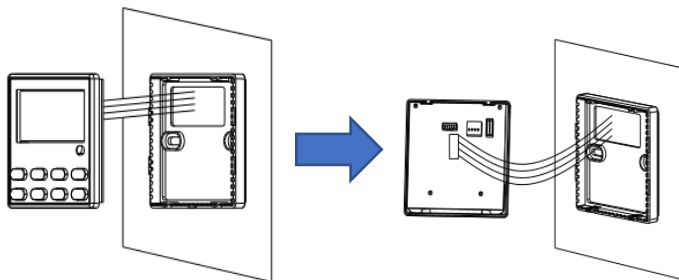
Press this button to enter energy saving mode. The desired temperature will be set to 26°C, and the unit will continue to operate in the current mode (cooling or heating).

Press and hold to enter into query mode. Use the TEMP+ and TEMP- buttons to view the information screens for the unit. This includes the address and model HP of the unit, the power consumption of the unit and the T1 temperature.

DISASSEMBLY

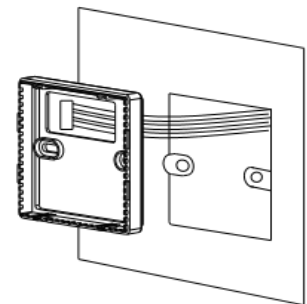
Disassembly is the reverse of installation. Make sure that the mains power has been cut off to avoid risk of injury.

Remove the wired controller from the backing plate using a flat head screwdriver in the gap between the backing plate and the controller. Once the two parts are separated, the remainder can be unclipped.



Disconnect the signal wires from the rear of the wired controller.

Pass the signal wire through the opening in the rear of the backing plate, ensuring they are not damaged during removal.



electriQ UK Support.

www.electriQ.co.uk/support

Please, for your own convenience, make these simple checks before calling the service line.
If the unit still fails to operate call: 0871 620 1057 or complete the online form

Office hours: 9AM - 5PM Monday to Friday

www.electriQ.co.uk

Unit J6, Lowfields Business Park

Lowfields Way, Elland

West Yorkshire, HX5 9DA

PRODUCT DISPOSAL



Do not dispose this product as unsorted municipal waste. Collection of such waste must be handled separately as special treatment is necessary.

Recycling facilities are now available for all customers at which you can deposit your old electrical products. Customers will be able to take any old electrical equipment to participating civic amenity sites run by their local councils. Please remember that this equipment will be further handled during the recycling process, so please be considerate when depositing your equipment. Please contact the local council for details of your local household waste recycling centres.