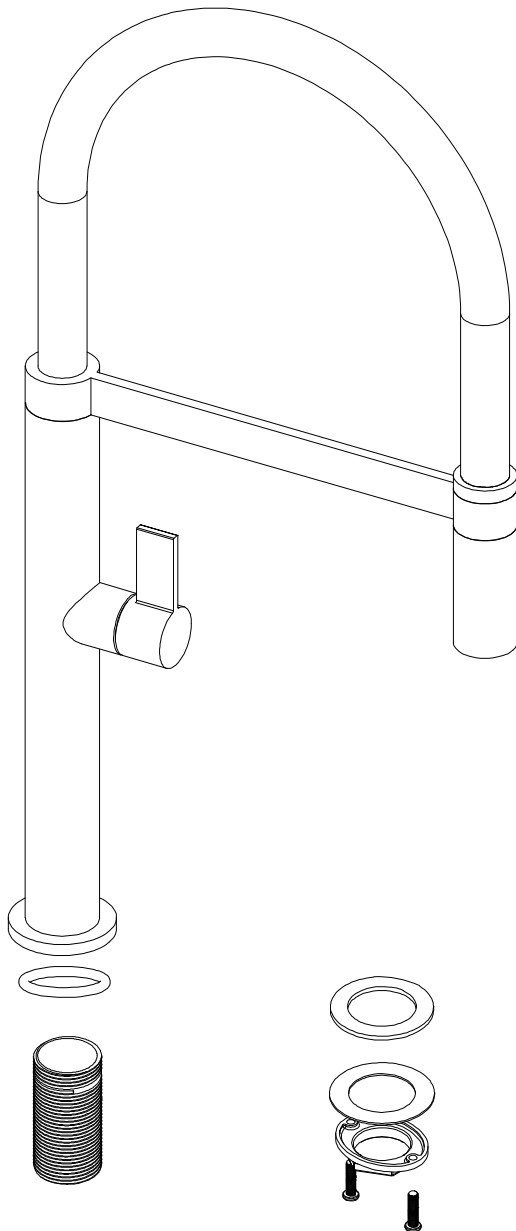


## Installation instruction Single Lever Stainless Steel Monobloc Tap

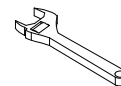
### Worcester

### Before You Install

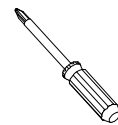
check to make sure you have the following parts indicated below



### Tools You Will Need



Adjustable wrench

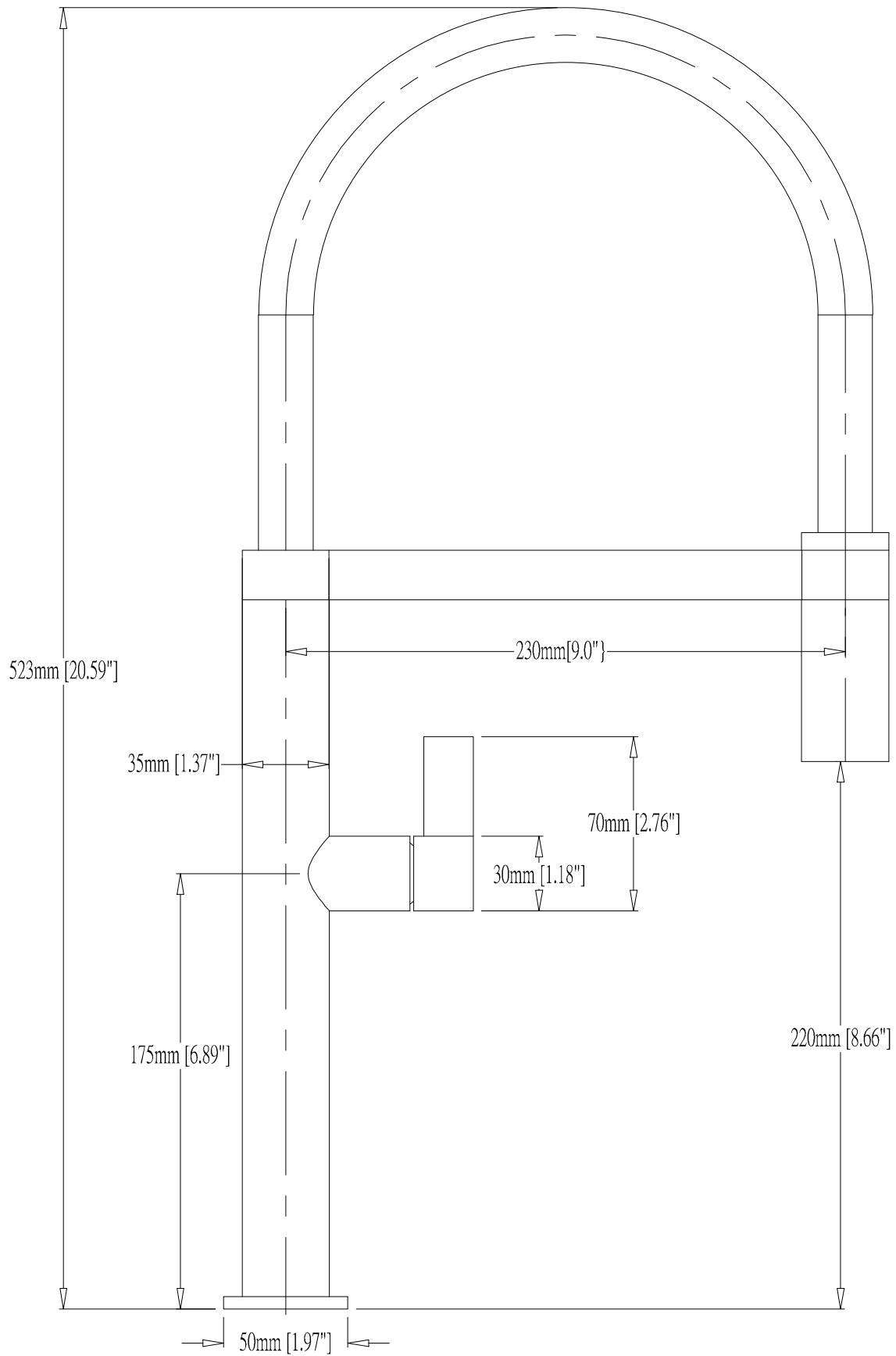


Phillips screwdriver



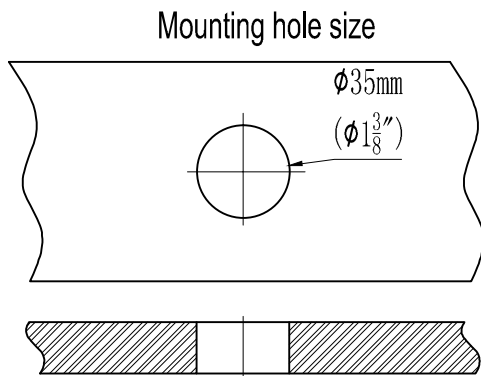
Pipe tape

# Product Dimension Drawing

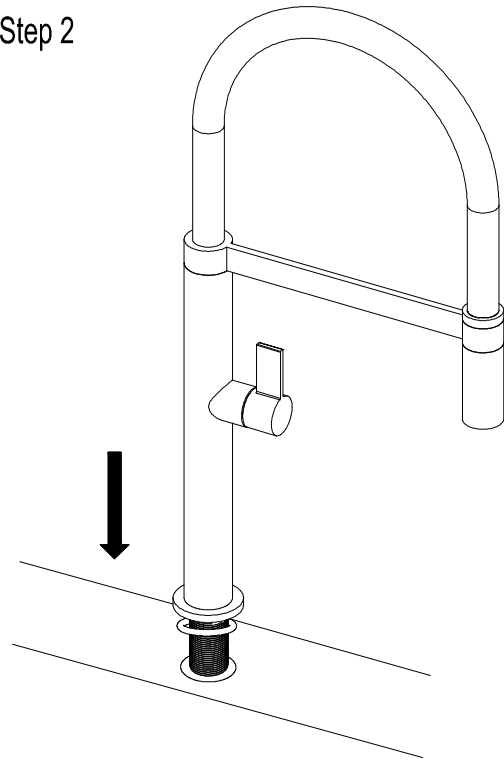


# Faucet Installation Procedures

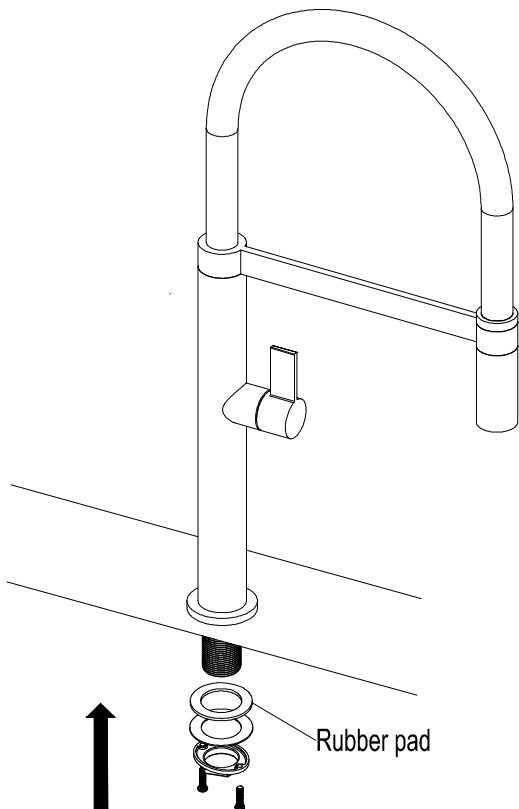
Step 1



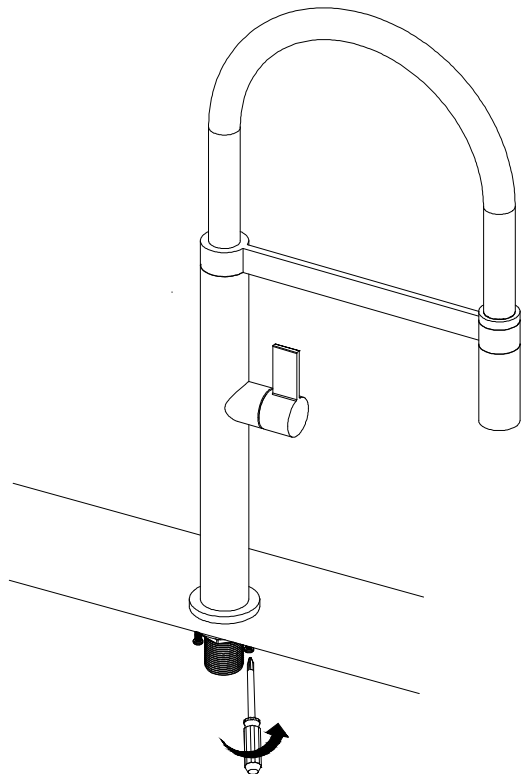
Step 2



Step 3

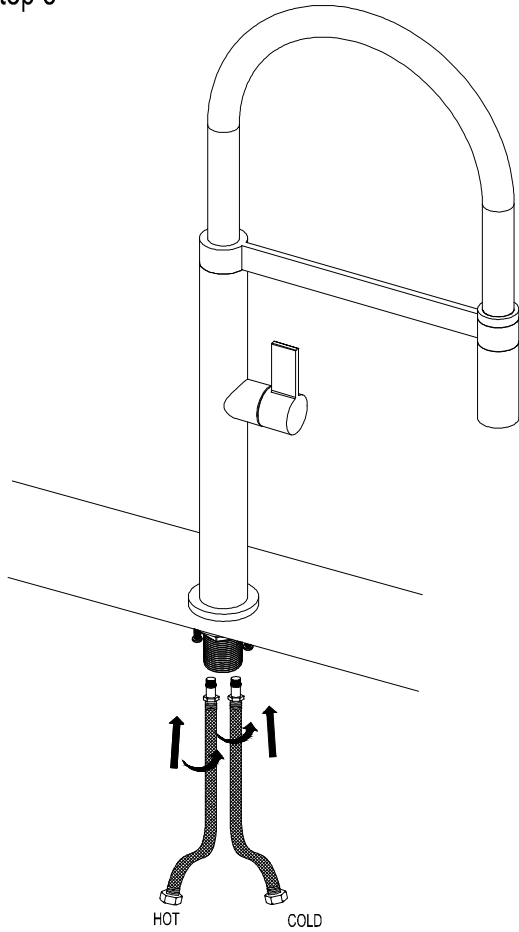


Step 4

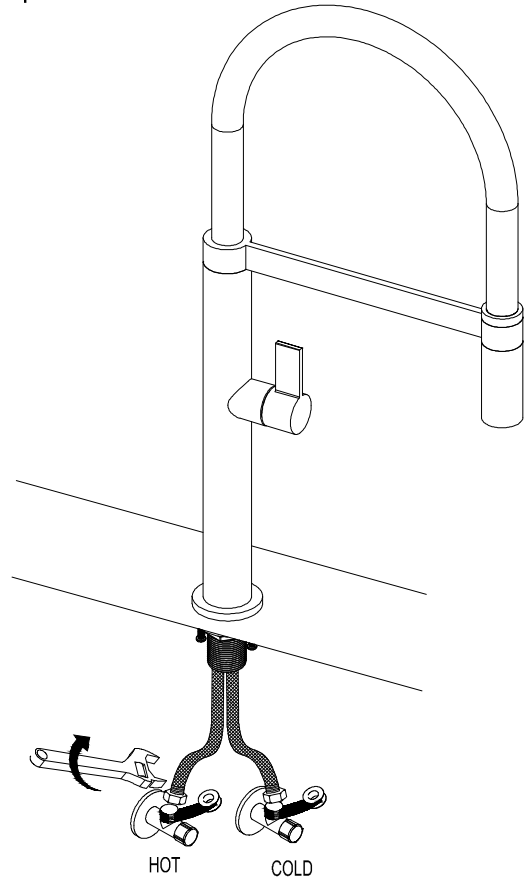


# Faucet Installation Procedures

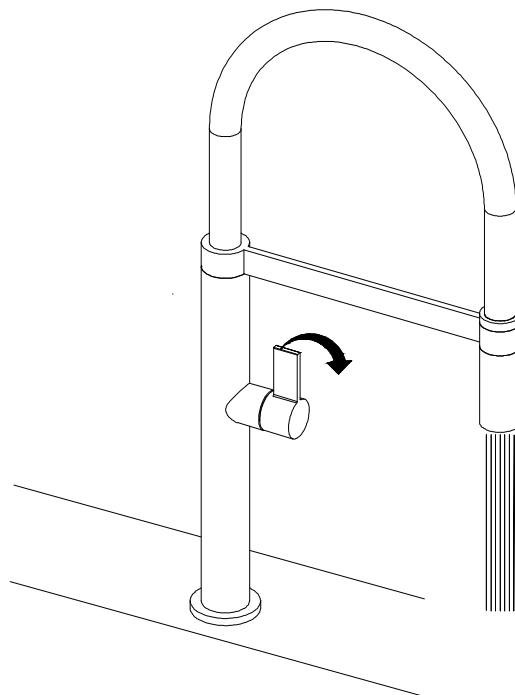
Step 5



Step 6

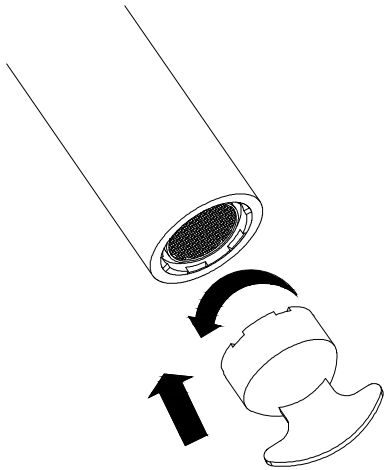


Step 7

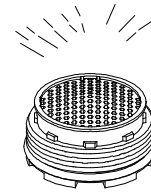


# Filter Cleaning

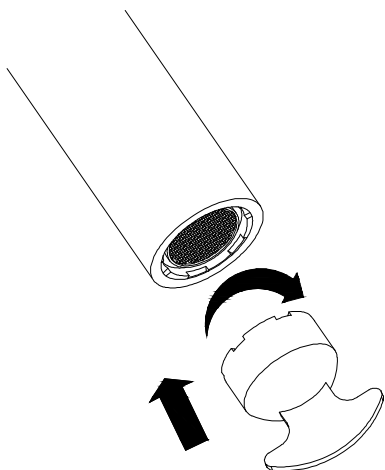
Step 1



Step 2



Step 3



Step 4

