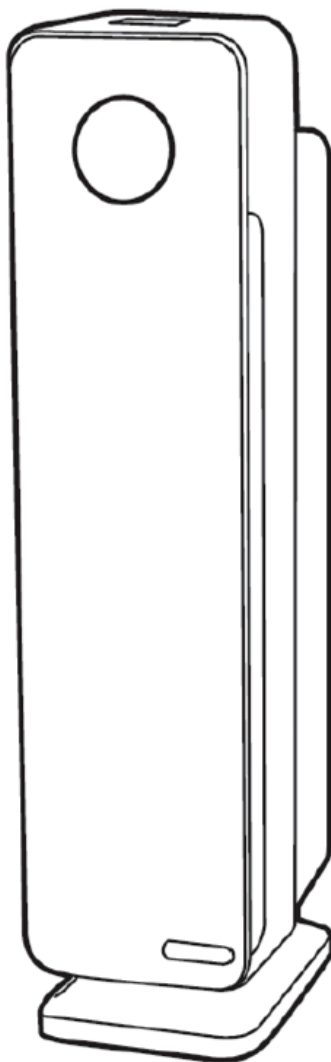




MULTIPLE TECHNOLOGY INTELLIGENT TRUE HEPA AIR PURIFIER WITH IONISER INSTRUCTION MANUAL



MODEL : PM9005W

 **WARNING!**

Ensure that all safety precautions are followed when using electrical appliances for the proper operation of the device. This instruction booklet describes the safety precautions to be observed during operation to prevent injuries to yourself, other persons and damage to the device. The content not only is suitable for this product but also suitable for electrical appliances in general.

Thank you for purchasing the innovative PureMate Air Purifier PM9005W .We wish you many years of healthy indoor air with this efficient and effective product.

SAFETY OPERATION

Ensure that all safety precautions are followed when using electrical appliances for the proper operation of the device.

This instruction booklet describes the safety precautions to be observed during operation to prevent injuries to yourself, other persons and damage to the device. The content not only is suitable for this product but also suitable for electrical appliances in general.

SAFETY INSTRUCTIONS

- To avoid fire or shock hazard, plug the appliance directly into a 220-240V AC electrical outlet.
- Keep the cord out of heavy traffic areas. To avoid fire hazard, NEVER put the cord under rugs, near heat registers, radiator, stoves or heaters.
- Keep unit away from heated surfaces and open flames.
- To protect against electrical hazards, DO NOT immerse in water or other liquids. Do not use near water.
- Children cannot recognize the hazards associated with the usage of electrical appliances. For this reason, always supervise children when they are near the unit.
- Always unplug the air purifier before moving it, opening the grill, changing filters, cleaning or whenever the air purifier is not in use. Be sure to pull by the plug and not the cord.
- NEVER drop or insert any object into any openings.
- DO NOT run cord under carpeting.
- DO NOT cover cord with throw rugs, runners, or similar coverings.
- DO NOT route cord under furniture or appliances. Arrange cord away from traffic area and where it will not be tripped over.
- DO NOT operate any appliance with a damaged cord or plug, if motor fan fails to rotate, after the appliance malfunctions, or if it has been dropped or damaged in any manner. Please Call Customer Service for assistance
- Use appliance only for intended household use as described in this manual. Any other use not recommended by the manufacturer may cause fire, electric shock or injury to persons
- DO NOT use outdoors
- NEVER block the air openings, grills/outlets or place on a soft surface such as a bed or sofa, as this could cause the unit to tip over, blocking the air intake or outtake opening
- DO NOT attempt to repair or adjust any electrical or mechanical functions on this unit. Doing so will void your warranty. The inside of the unit contains no user serviceable parts. All servicing should be performed by qualified personnel only
- DO NOT place anything on top of unit
- To prevent interference and distortion the device should be placed at least 1 meter away from computer, television or radio.

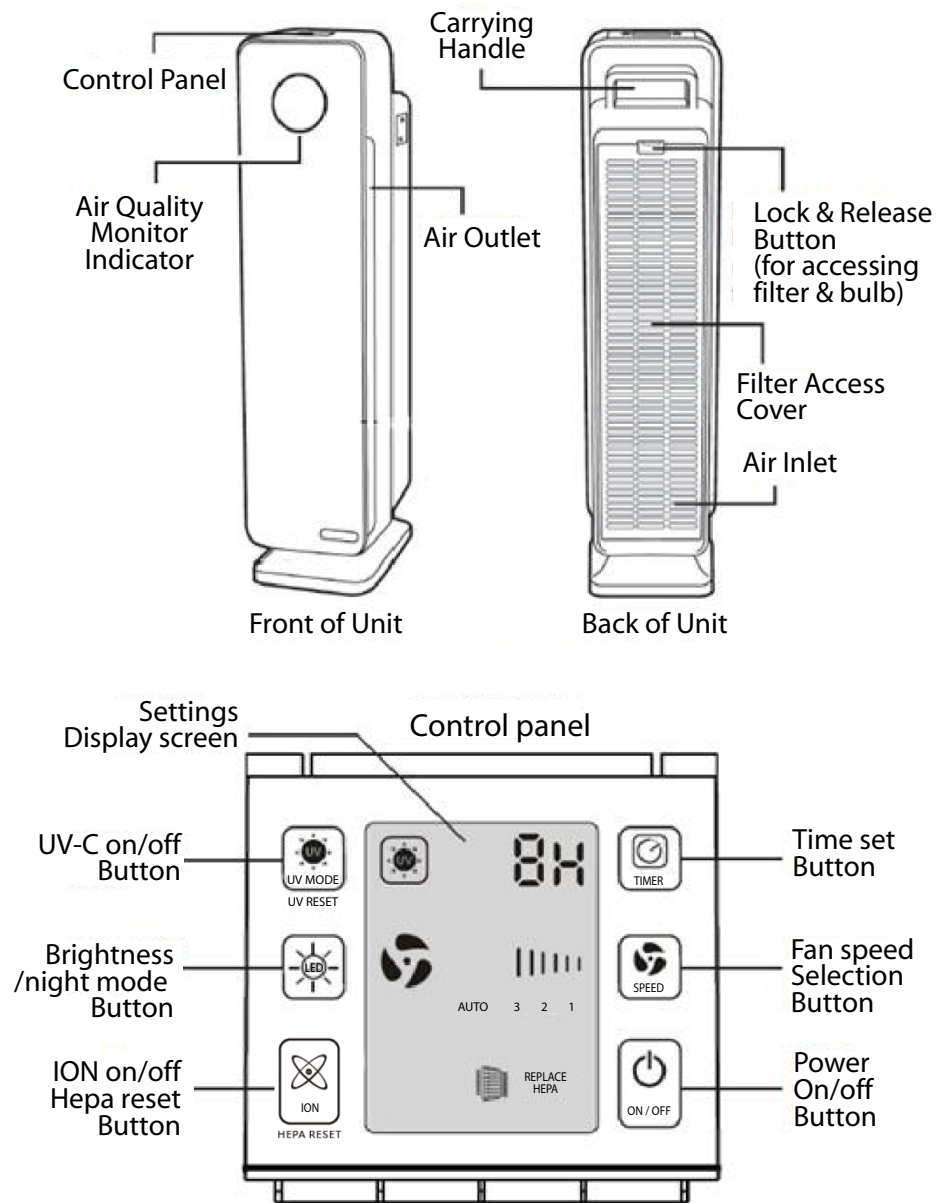
WARNING: To reduce the risk of fire or electric shock, do not use this unit with any solid-state speed control device.

SAVE THESE INSTRUCTIONS

BEFORE FIRST USE

Before use, remove all packaging and inspect the appliance for any damage. If there appears to be any damage, please take the unit back to place of purchase for a replacement.

COMPONENTS



Improve your indoor air quality with your Air Purifier. Multiple levels of cleaning work together to capture allergens kill and destroy germs and remove odours..

The Air quality monitor detects the amount of particles in the air and will automatically adjust the speed of the purifier to optimize room air quality when set in auto mode.

DIGITAL AIR CLEANING SYSTEM

Improve your indoor air quality with your new PureMate® Air Cleaning System. Multiple levels of cleaning include a combination True HEPA filter that captures allergens, and Charcoal filter to remove odours. UV-C light technology enhances germ-killing.

Pre-Filter*

Captures initial dust and allergen particles.

Charcoal Filter* (aka Activated Carbon)

Charcoal/Activated Carbon contributes to the control and prevention of the growth of bacteria, germs and mould.

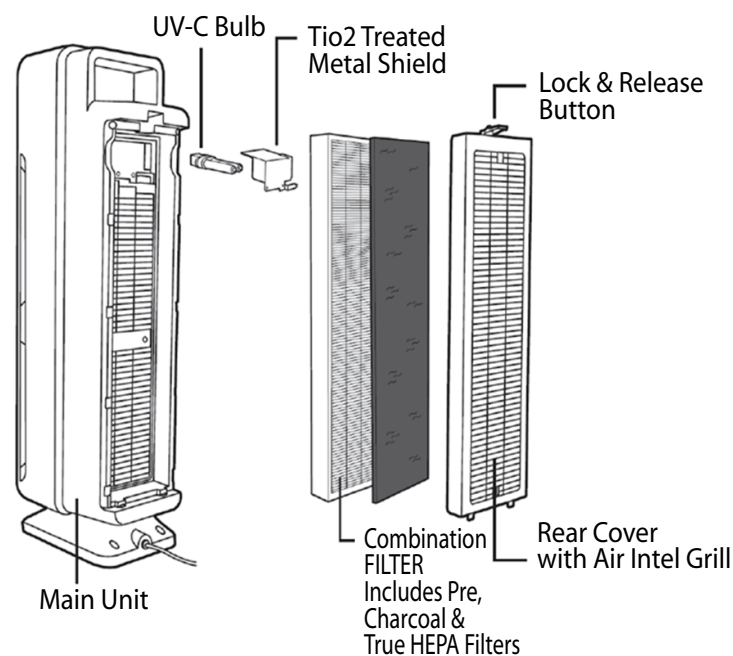
True HEPA Treatment Filter

Captures 99.97% of dust and allergens.

UV-C Light

UV-C light technology works with Titanium Dioxide (TiO₂) to enhance the elimination of airborne germs. TiO₂ is activated by the UV-C light to decompose remaining odour molecules caused by smoking, cooking and pets.

*Pre-Filter and Charcoal Filter are combined into one layer that attaches to the HEPA/Anti-Mite Filter.



1. Carefully remove your air purifier from the gift box and the bag.
2. Select a firm level and flat location. For proper air flow, locate the unit at least 1 foot (0.3 M) from any wall or furniture. Ensure no grills are blocked.
3. Plug the power cord into a 220-240V AC 50HZ outlet.
4. Always lift your air purifier by the handle of the unit.

OPERATING INSTRUCTIONS

1. Plug the power cord into a 220-240V ac outlet
2. Turn unit power 'ON'.



POWER 'ON/OFF' BUTTON

3. Select fan speed MODE 1-3 :
 - I = Lowest Speed setting
 - II = Medium Speed setting
 - III = Highest Speed setting



FAN SPEED MODE

AUTO MODE: The last fan speed is AUTO. When AUTO is selected, the air purifier will change the fan speeds depending on the air quality level.



AUTO MODE

4. Select UV-C 'ON' or 'OFF' using UV-C ModeButton.



UV-C 'ON/OFF' MODE / RESET BUTTON

5. **TIMER:** If you prefer to run the purifier for a specific number of hours, you can select between 1-8 hours on the display.



TIMER

6. **Negative Ionizer 'ON/OFF' MODE / HEPA RESET BUTTON**



Air quality monitor: detects the amount of particulate matter (PM) in the air. The circular light on the front panel of the purifier is the air quality indicator. It will change colours, indicating the air quality level in the room. The particulate matter value will be displayed on the circle – see chart next page for reference.

Auto Mode: when "Auto" mode is selected, the Air Purifier will automatically adjust the speed level of the purifier to optimize the room air quality.

Below are the colour/value that can be displayed:

Ring Colour	Particulate Matter Value (Range)	Air Quality Status
Green	0-100	Good
Yellow	101-200	Average
Red	201+	Poor



Filter Replacement Indicator: The Replace HEPA light on the display will illuminate and flash indicating that it is time to replace your filter. Replace the filter according to directions (refer to CARE, CLEANING & MAINTENANCE – FILTER REPLACEMENT then press and hold HEPA RESET button on your purifier for 5 seconds to reset the system.



UV Bulb Replacement Indicator: The 'UV' light on the display will flash when it is time to replace the UV bulb. Replace the bulb according to direction. (Refer to CARE, CLEANING & MAINTENANCE – INSTALLING AND REMOVING UV-C BULB). To reset the UV-C Replacement indicator, press and hold the UV button to reset system. Hold for 5 seconds and change reset to start.

** Control Panel Beep/ Sound: The sound emitted from pressing the buttons on the control panel can be turned off/on by holding the SPEED button for 5 seconds.

CARE, CLEANING & MAINTENANCE

NOTE: If the power cord set of this appliance becomes damaged, discontinue use. Repairs should be undertaken only by a qualified technician.

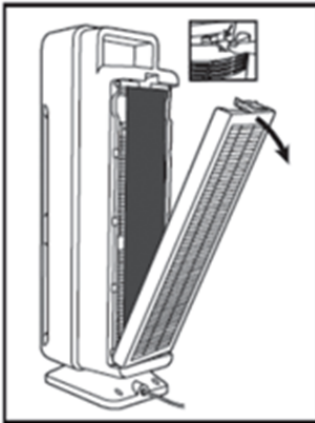
- Your appliance must be switched OFF via the main power supply and unplugged before proceeding with any cleaning.
- To clean the exterior surfaces simply wipe over with a clean, dry soft cloth. Avoid all other types of detergents, cleaners, solvents that may contain chemicals, which could damage parts of the unit.
- Never use flammable or abrasive cleaning agents such as benzene or spirits to clean the appliance.
- Clean the filter monthly with the brush or nozzle of your vacuum cleaner.
- Never immerse the appliance in water.
- Never spray the appliance with liquids or submerge it in water or any other liquid.
- Do not stick any foreign objects or your fingers inside the unit.

To Remove & Clean (or Replace) Filter:

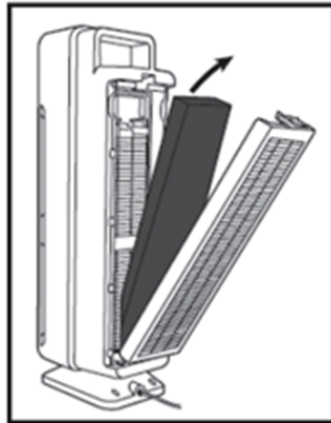


The Replace HEPA light on the display will illuminate and flash indicating that it is time to replace your filter. Replace the filter according to directions (refer to CARE, CLEANING & MAINTENANCE – FILTER REPLACEMENT then press and hold HEPA RESET button on your purifier for 5 seconds to reset the system.

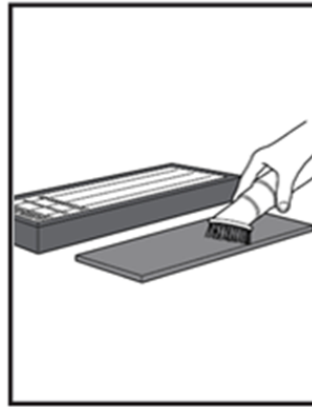
1. Turn off and unplug the unit



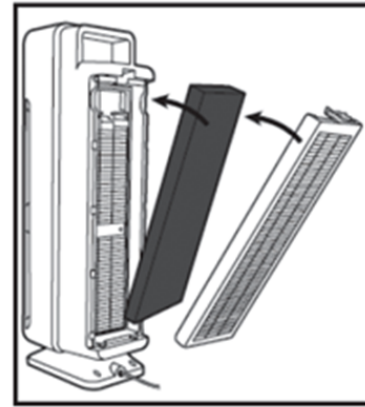
2. Press the lock and release button and remove the rear cover from the unit



3. Remove the used Combination Filter and dispose of it in the garbage.



4. Separate and clean both filter layers with the brush attachment of your vacuum cleaner to remove lint and dust.
IMPORTANT: Do NOT try to wash and re-use the Combination Filter.



5. Insert Replacement Filter into the unit. Consult the arrow on the filter for correct installation director.

PLEASE NOTE: Ensure carbon filter faces out when installing the filter system into the unit.

6. To reset the filter indicator , press and hold the HEPA RESET button for 5 seconds.

Checking & Maintaining the Filter:

Maintain the filter by checking it frequently. Depending on air quality conditions and usage, you may need to replace it more frequently.

Vacuum the carbon filter layer as needed to remove loose debris and dust to help prolong the life of your HEPA filter (refer to “Air Cleaning Layers” on page 5).

To check the status of the HEPA filter, peel back the carbon layer to expose the pleated HEPA Filter. If the HEPA Filter is no longer white and is covered in grey dust/ dirt it should be replaced.

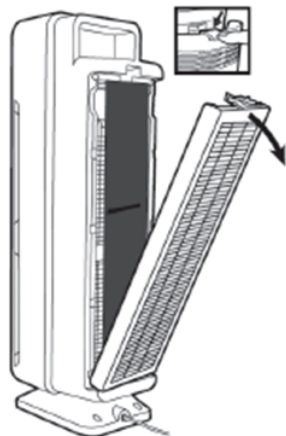
IMPORTANT: Do not try to wash and re-use the Combination Filter.

Installing & Removing the UV-C Bulb:

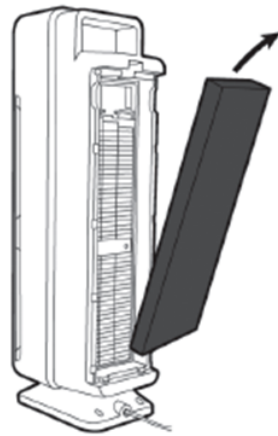
UV Bulb Replacement Indicator - the UV light on the display will flash when it is time to replace the UV bulb

NOTE: The appliance must be disconnected from the supply before changing the UV-C light bulb (UV-C emitter).

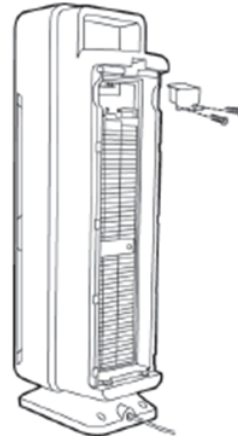
WARNING! UV radiation is dangerous for the eyes and skin. Do not operate the UV-C emitter (UV-C light bulb) outside the appliance. Please read the Instructions carefully.



1 Turn off and unplug unit
Press the lock and release
button and remove the rear
cover from the unit.

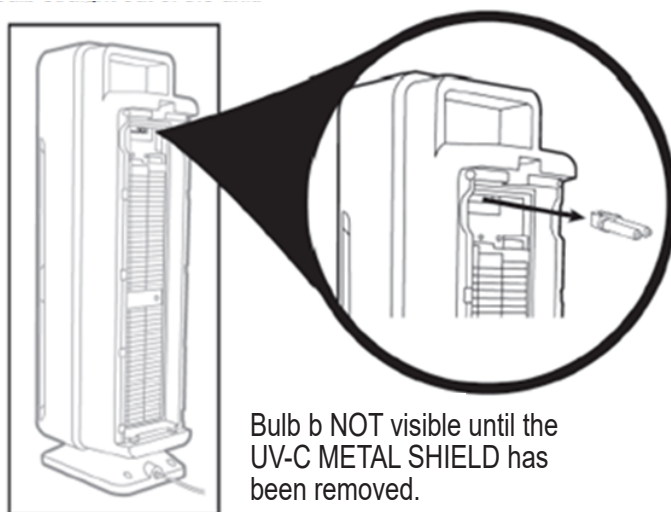


2. Remove the
combination filter.



3 Use a Philips head
screwdriver to remove
2 screws and detach the
UV-C Metal Shield.

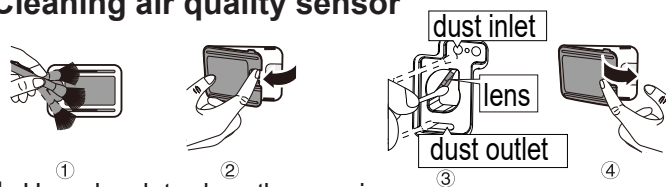
4. The UV-C Bulb is removed by carefully grasping the bulb with a clean cloth or tissue and pulling the bulb straight out of the unit.



Bulb is NOT visible until the
UV-C METAL SHIELD has
been removed.

5. The UV-C Bulb is reinstalled by sliding it, horizontally, back into the slots at the top of the unit
6. Carefully reposition the metal shield, and replace the 2 screws (do not over tighten).
7. To reset the UV-C Replacement Indicator, press and hold the UV button for 5 seconds.

Cleaning air quality sensor



1. Use a brush to clean the covering.
2. Open the covering
3. Clean the dust inlet and outlet as well as the lens with a slightly wet cotton swab. (recommended to clean up every two months)
4. Close the covering

TROUBLE SHOOTING TIPS

PROBLEM	SOLUTION
Unit does not operate.	Check that the unit is plugged in. Check that filter is in place. Confirm that filter is Genuine Replacement Filter.
Unit shuts off unexpectedly.	Check that the unit is plugged into a working electrical outlet. Check that the HEPA Filter is firmly in place. Check that the Rear Cover is latched firmly in place.
No air circulating from unit.	Unplug unit. Check Pre-filter/Charcoal & HEPA filters. Clean Pre-filter/Charcoal if necessary. Replace HEPA filter if necessary.
Increase in noise level.	Make sure the filters are clean. Replace if necessary.
An unpleasant odour is emitted from the unit.	Make sure the filters are clean. Replace if necessary.

SPECIFICATIONS

Model:	PM9005W
Rated Voltage:	220-240V 50Hz
Power Consumption:	42W(Low Setting) 52W (Highest Setting)
Noise Level:	Silent fan ≥ 40 dB(A) (Low), 58 dB(A) (HI)
Negative Ions:	$\geq 3 \times 10^6/\text{cm}^3$
Removal Rate:	Up to 99.97%
UV Lamp wavelength:	14 $\mu\text{W}/\text{m}^2$ (Frequency: 254nm)
Air Flow Rate:	240 m^3/hour
CADR Rating (High speed):	183 m^3/hour
Dimensions (L x W x H):	23(L)x 17(W) x 70(H) CM
Net Weight:	5.15kg (11.35 lbs.)
Gross Weight:	6kg (13.23 lbs.)
Applicable Area:	up to 325 ft^2 (30 m^2)

DISPOSAL OF THIS DEVICE



At the end of the product lifecycle, you should not throw this machine into the normal house hold garbage but bring the product to a collection point for the recycling of electrical and electronic equipment.