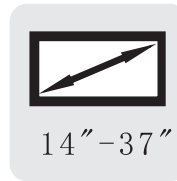


# Wall Mount

## INSTALLATION GUIDE

Model.GML623



1

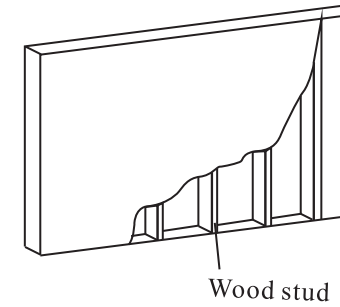


Fig 1

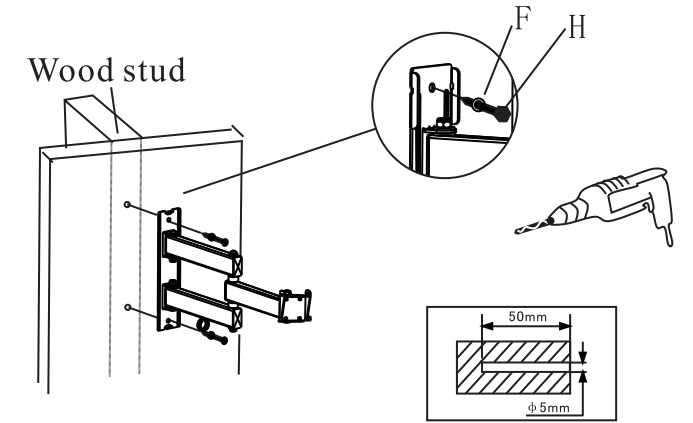


Fig 2

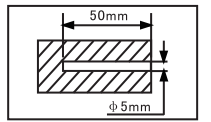


Fig 3

2

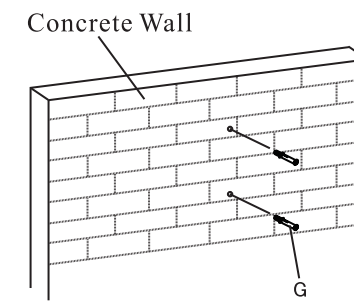


Fig 4

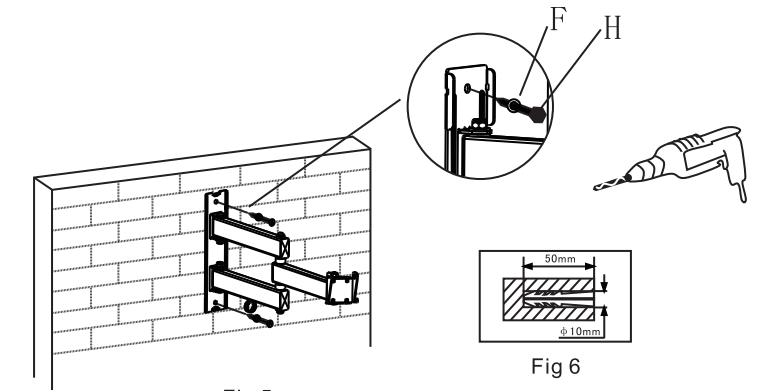


Fig 5

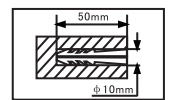
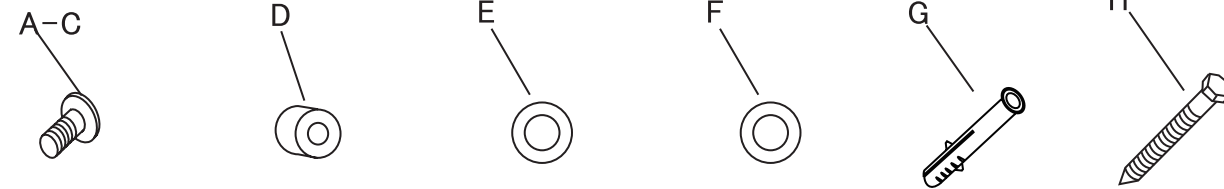
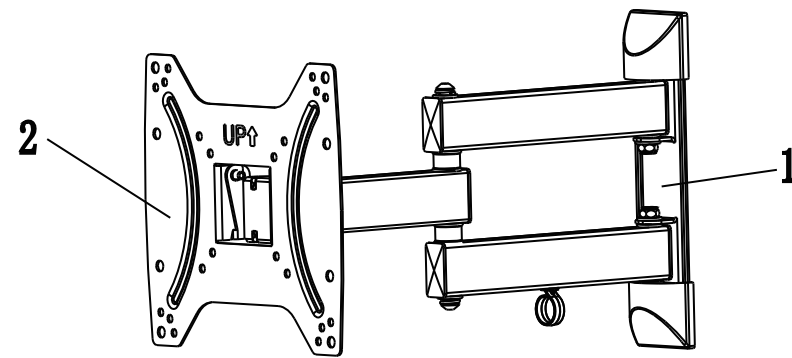


Fig 6

### Hardware List:



ID	Qty	Description
1	1	Bracket
2	1	Wall mount
A	4	M4*20mm bolt
B	4	M6*25mm bolt
C	4	M8*25mm bolt

ID	Qty	Description
D	4	φ 18× φ 8.5×10 spacer
E	4	M8 washer
F	2	M8 washer
G	2	φ 8×50 Wall anchor
H	2	St8×65 bolt

3

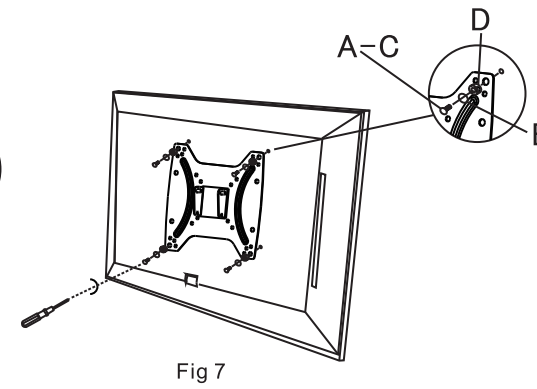


Fig 7

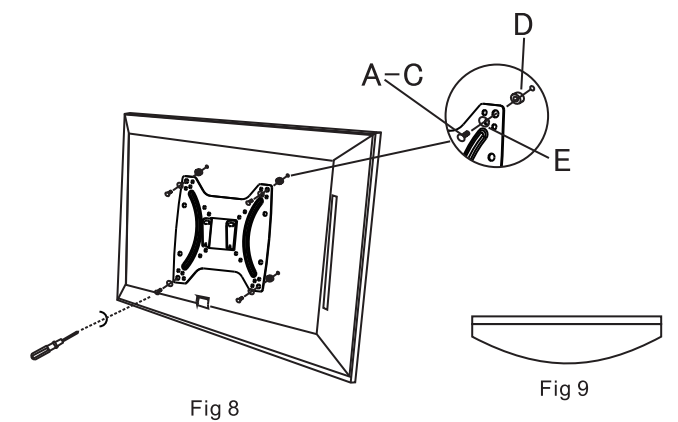


Fig 8

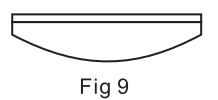


Fig 9

4

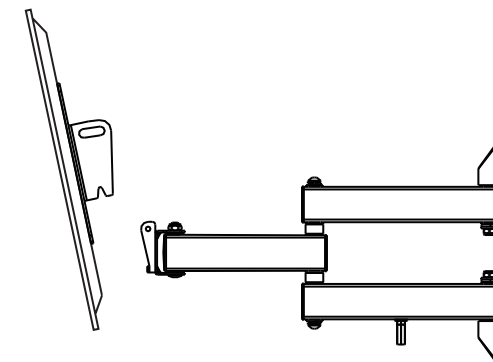


Fig 10

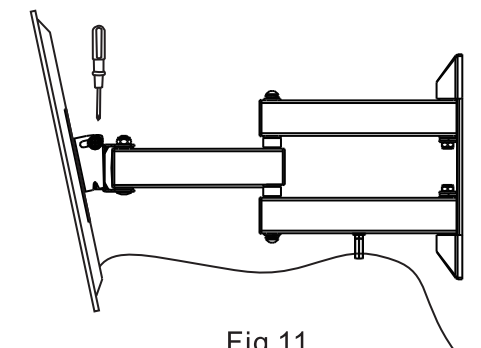


Fig 11