

BeBa-26055 ~ BeBa-26058

BeBa-26062 ~ BeBa-26065

BeBa-26069 ~ BeBa-26076

BeBa-26766 & BeBa-26770

The micro protective layer formed during its application will make the water bead along the glass for easy maintenance.

We recommend cleaning the door with the squeegee after each use.

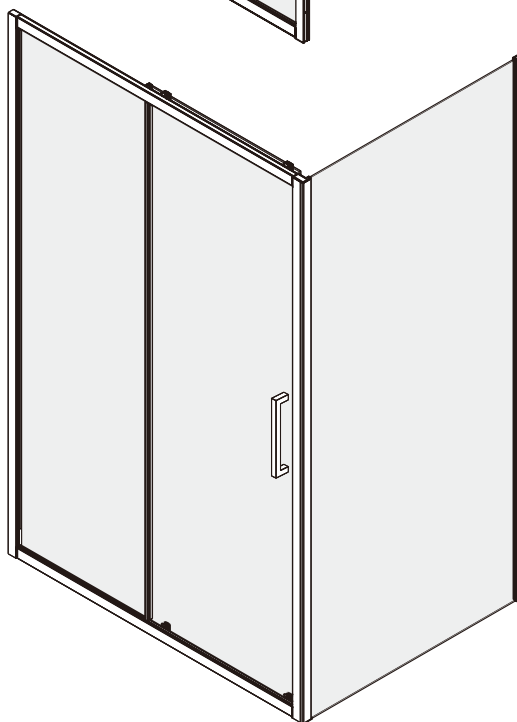
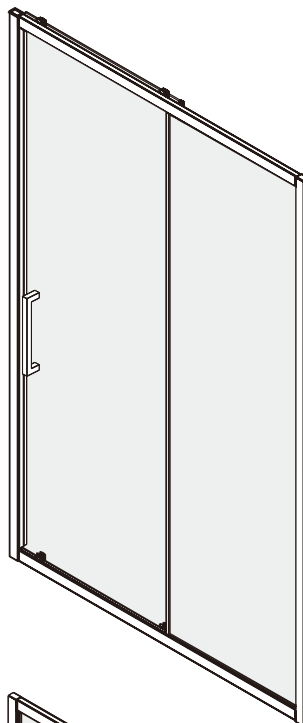
THE MAINTENANCE OF YOUR SHOWER

Never use of powder or scouring pads. Simply clean the door with a solution of water and vinegar, 1 to 5. You can use a mild detergent but never use ammoniac, it could damage the glass surface.

REVERSIBLE DOOR

Les instructions montr é s au manuel sont pour le montage de la porte droite.

The instructions shown in the manual is for the installation of the right door.



INSTALLATION MANUAL

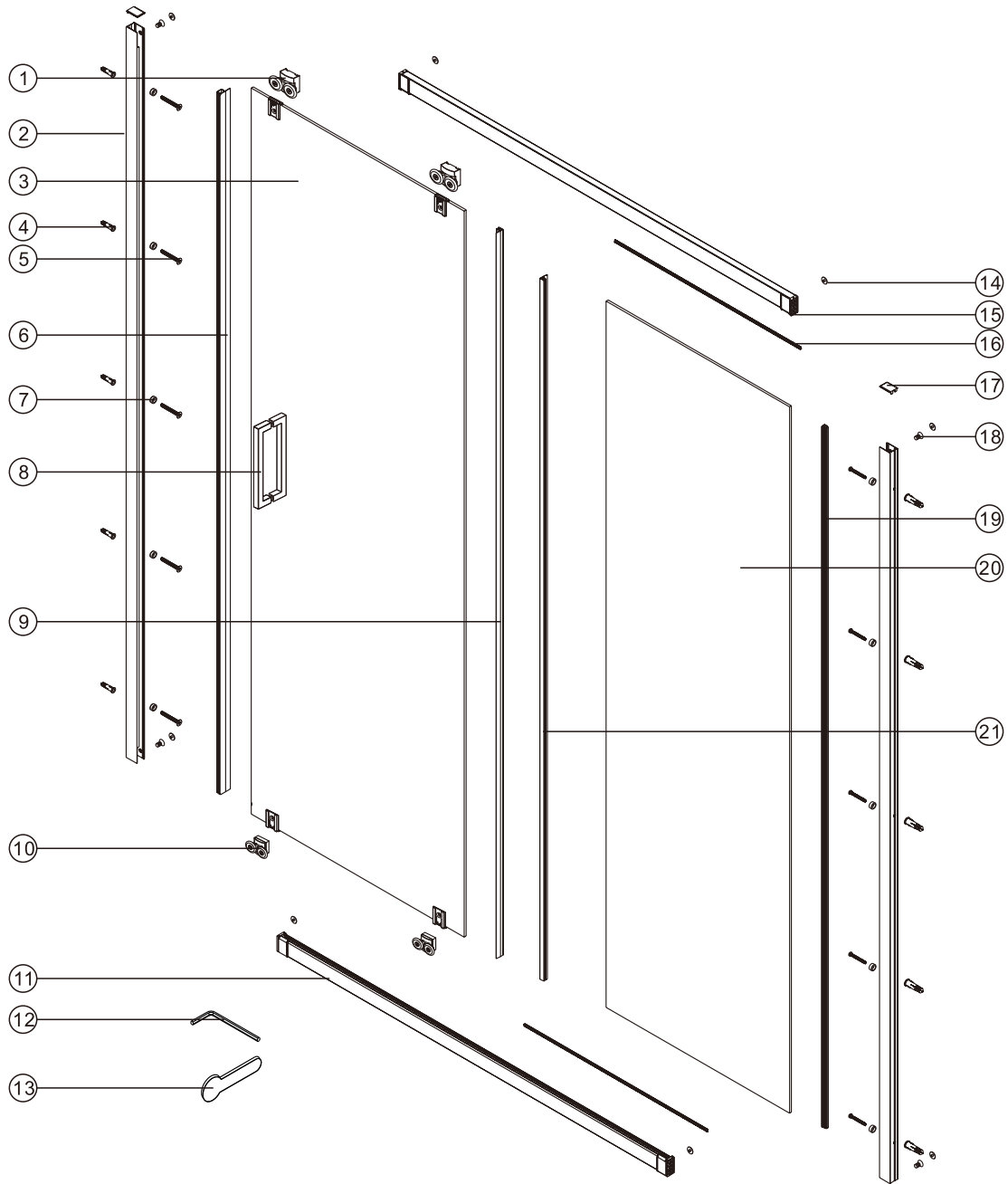
IMPORTANT

- Thoroughly inspect your product before proceeding with the installation.
- The warranty will be void if the product is installed with a conspicuous defect.
- Before commencing drilling please check that no pipes or cables can be damaged.
- As part of the installation process the shower tray must be tiled down onto, not behind.

CAUTION

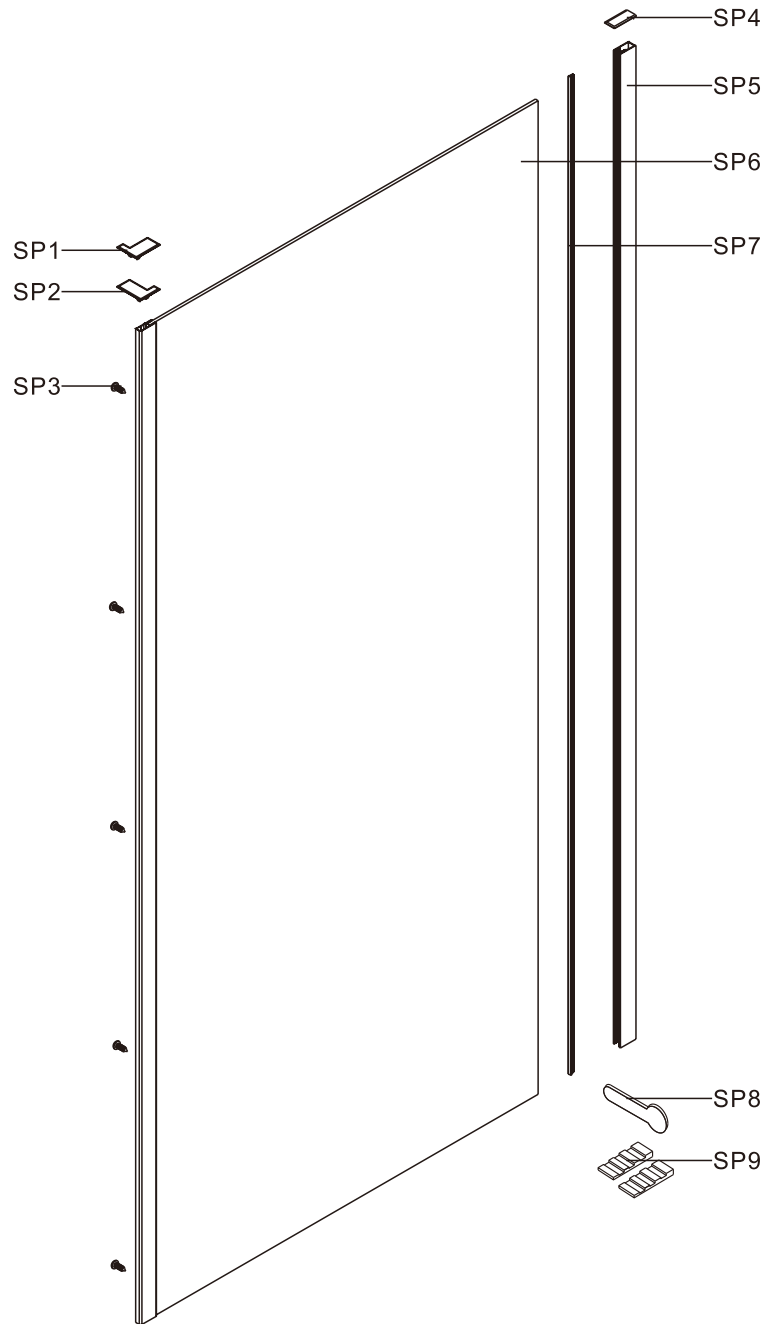
- To prevent leaks, silicone must be applied on the outside of the shower and not on the inside!
- Read all instructions carefully before starting the installation.
- Save this manual for future reference.

PARTS LIST



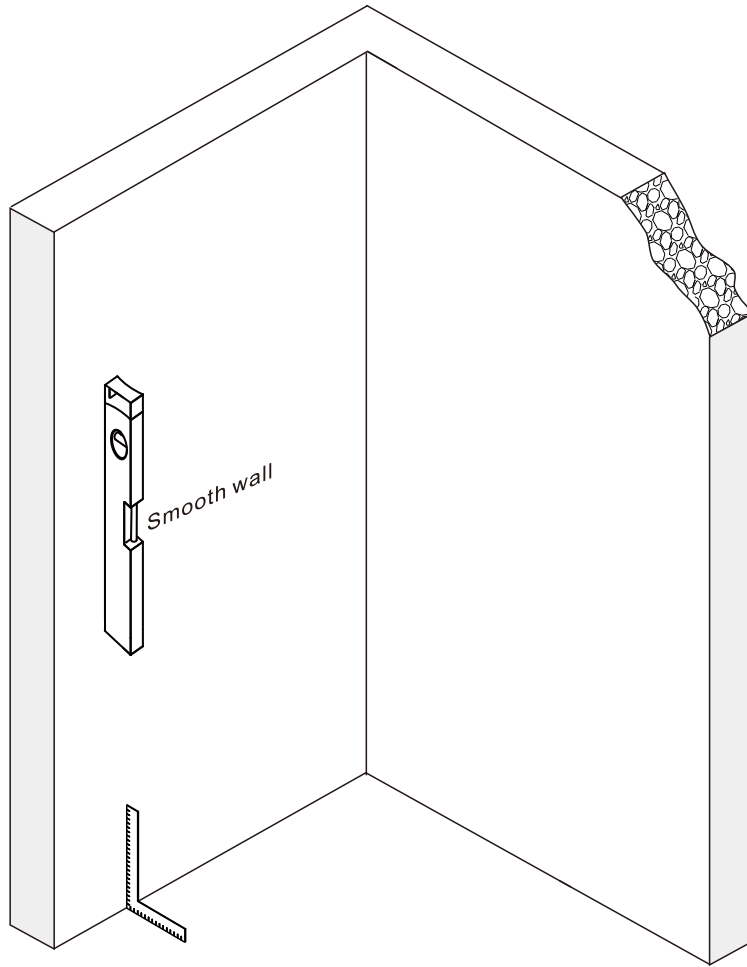
NO	Qty	Description	NO	Qty	Description
1	2	Top roller	12	1	Allan key kit
2	2	Wall profile	13	1	Installation tool
3	1	Moving door	14	8	Screw cap
4	10	Wall anchor	15	1	Top rail
5	10	Screw ST4x40	16	2	Squeeze gasket
6	1	Wall profile gasket	17	2	Profile cap
7	10	Screw base	18	4	Screw M4x10
8	1	Handle	19	1	Wall profile gasket
9	1	Water-retaining gasket	20	1	Fixed glass
10	2	Bottom roller	21	1	Water-retaining gasket
11	1	Bottom rail			

PARTS LIST

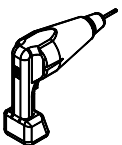


NO	Qty	Description	NO	Qty	Description
SP1	1	Corner profile cap L	SP6	1	Return panel assembling
SP2	1	Corner profile cap R	SP7	1	Squeeze gasket
SP3	5	Screw ST4 x 10	SP8	1	Installation tool
SP4	1	Channel cap extrusion	SP9	2	Glass Wedge spacer
SP5	1	Chrome Wall Channel			

PREPARATION



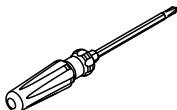
TOOLS AND MATERIALS REQUIRED



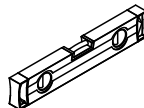
PERCEUSE
DRILL



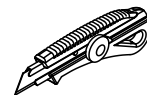
VIS
SCREWS



TOURNEVIS
SCREWDR



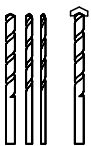
NIVEAU
LEVEL



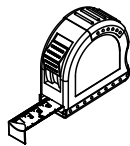
COUTEAU DE PRECISION
PRECISION KNIFE



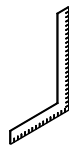
SILICONE
SILICONE



FORETS: 1/8", 3/16" ET 1/4"
*FORET À MAÇONNERIE
DRILL BITS: 1/8", 3/16" ET 1/4"
*MASONRY DRILL BIT



RUBAN À MESURER
MEASURING TAPE



ÉQUERRE
SET SQUARE



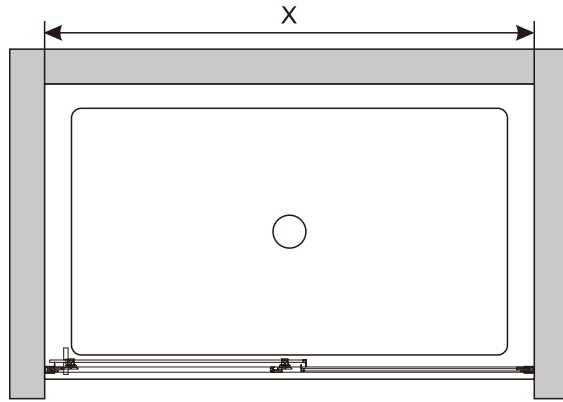
CRAYON
PENCIL



MAILLET
MALLET

CONTINUED

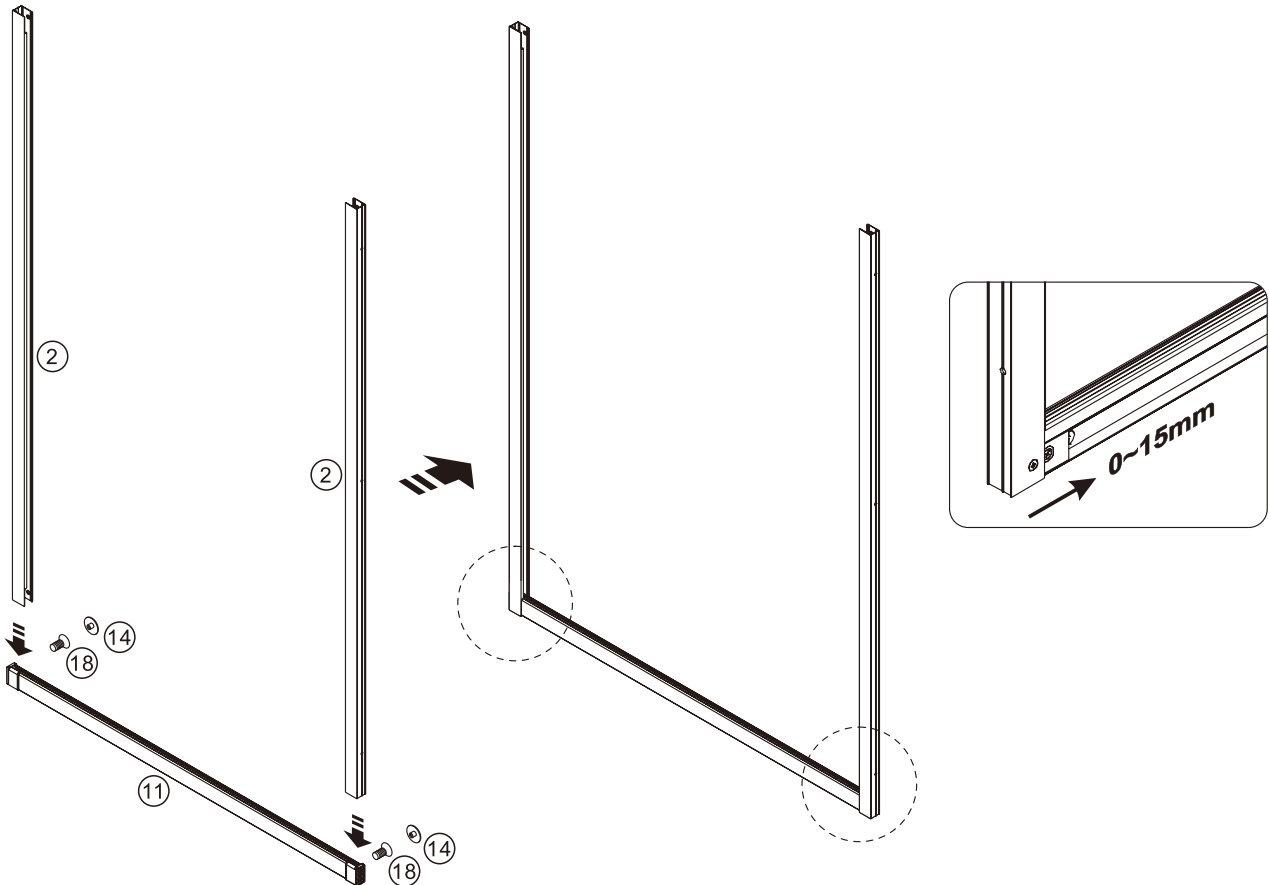
A 01



Size	X,mm
1000	950 ~ 980
1100	1050 ~ 1080
1200	1150 ~ 1180
1400	1350 ~ 1380

CONTINUED

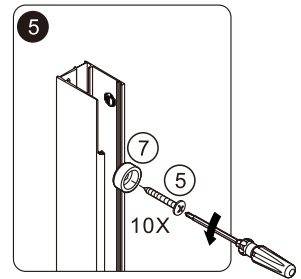
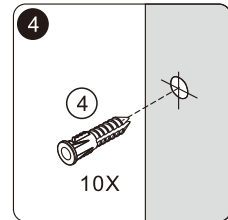
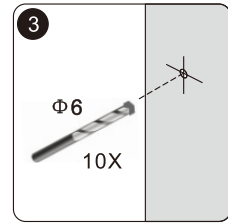
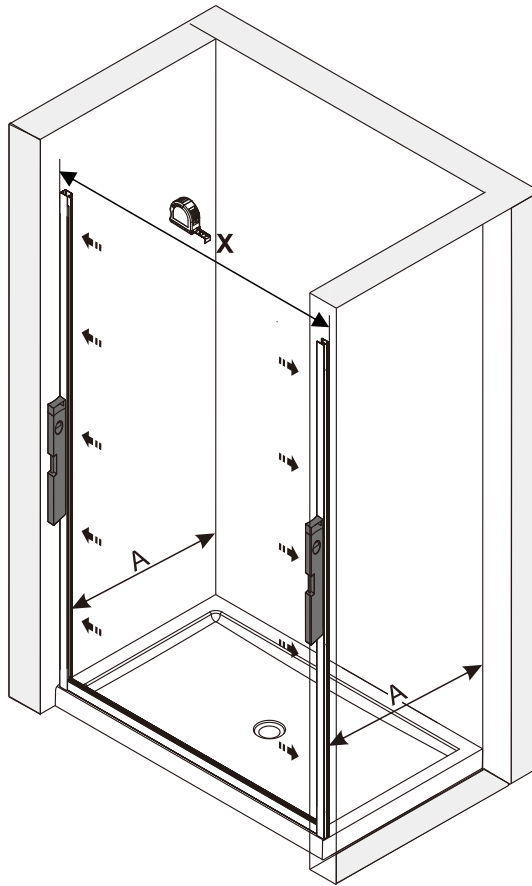
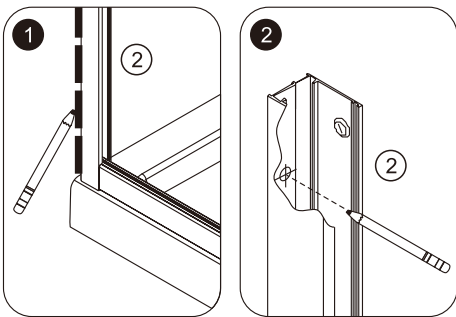
A 02



CONTINUED

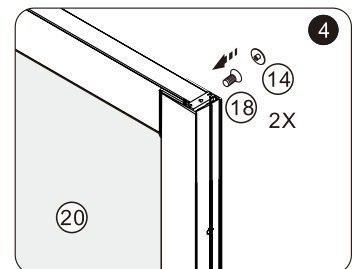
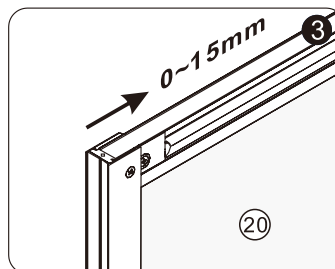
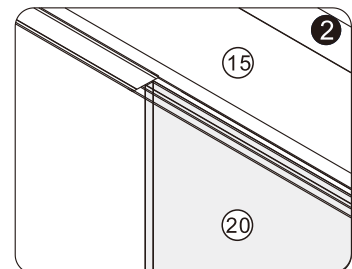
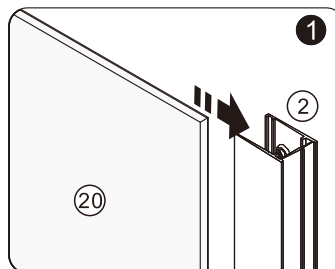
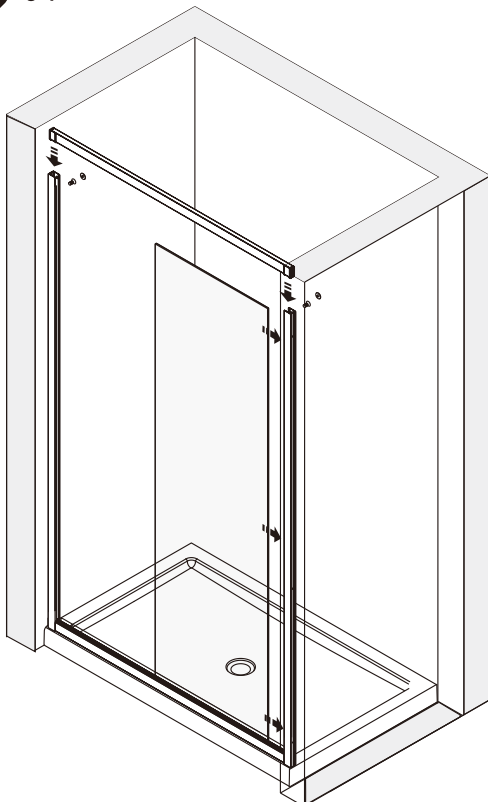
A 03

Size	X,mm
1000	950 ~ 980
1100	1050 ~ 1080
1200	1150 ~ 1180
1400	1350 ~ 1380



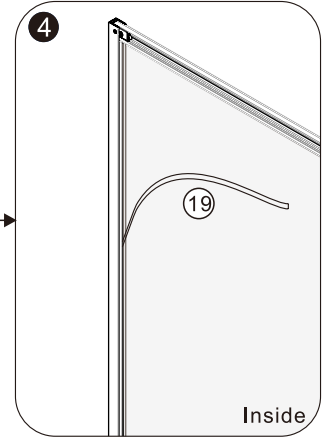
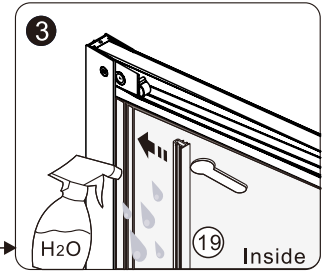
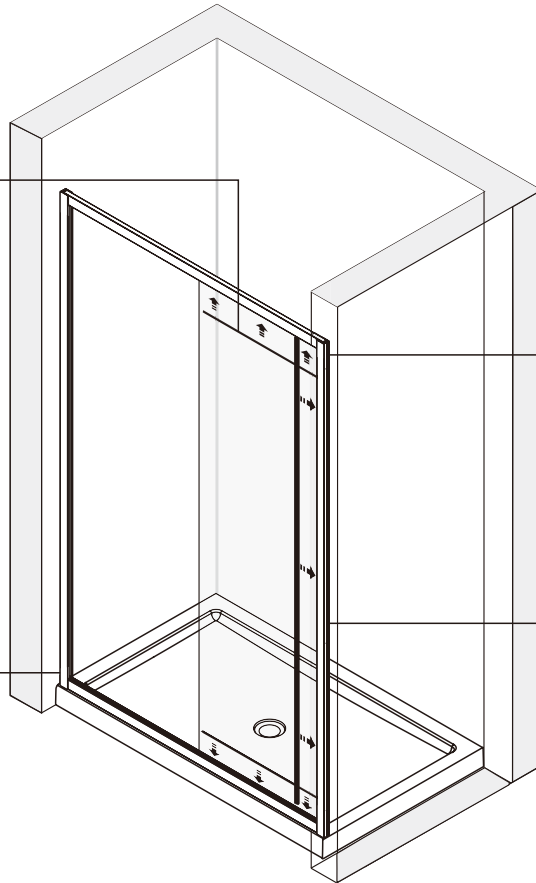
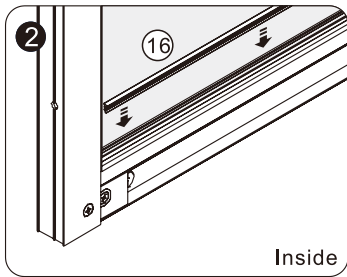
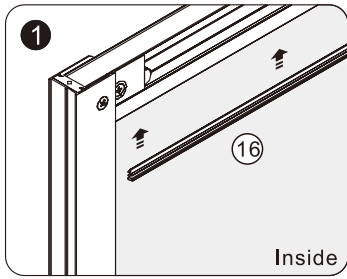
CONTINUED

A 04



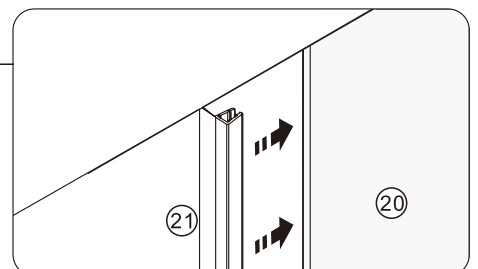
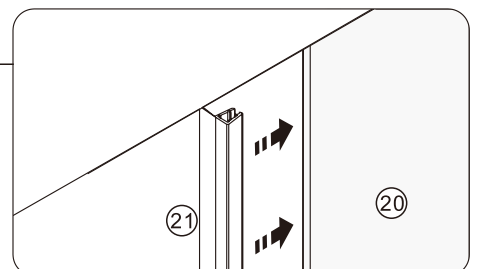
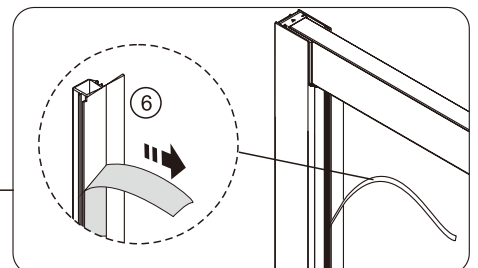
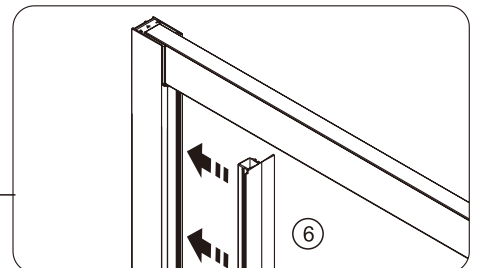
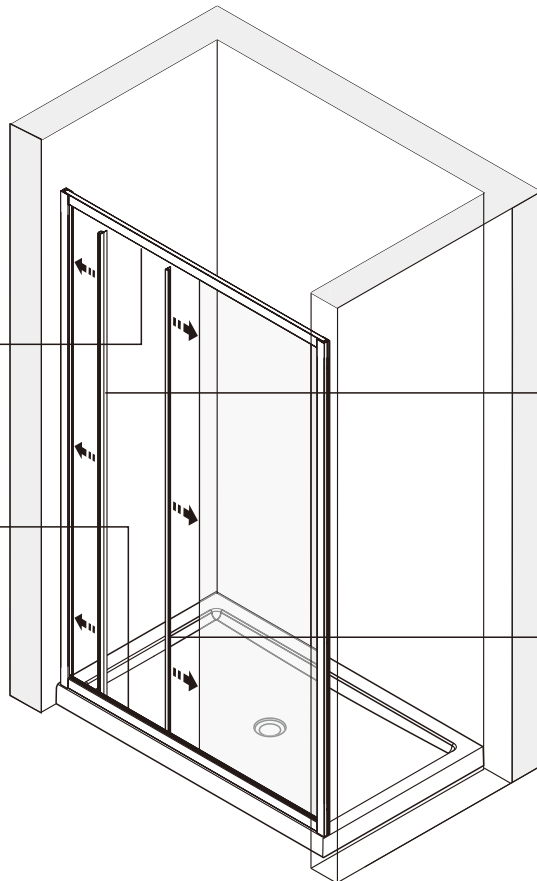
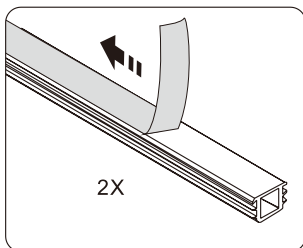
CONTINUED

A 05



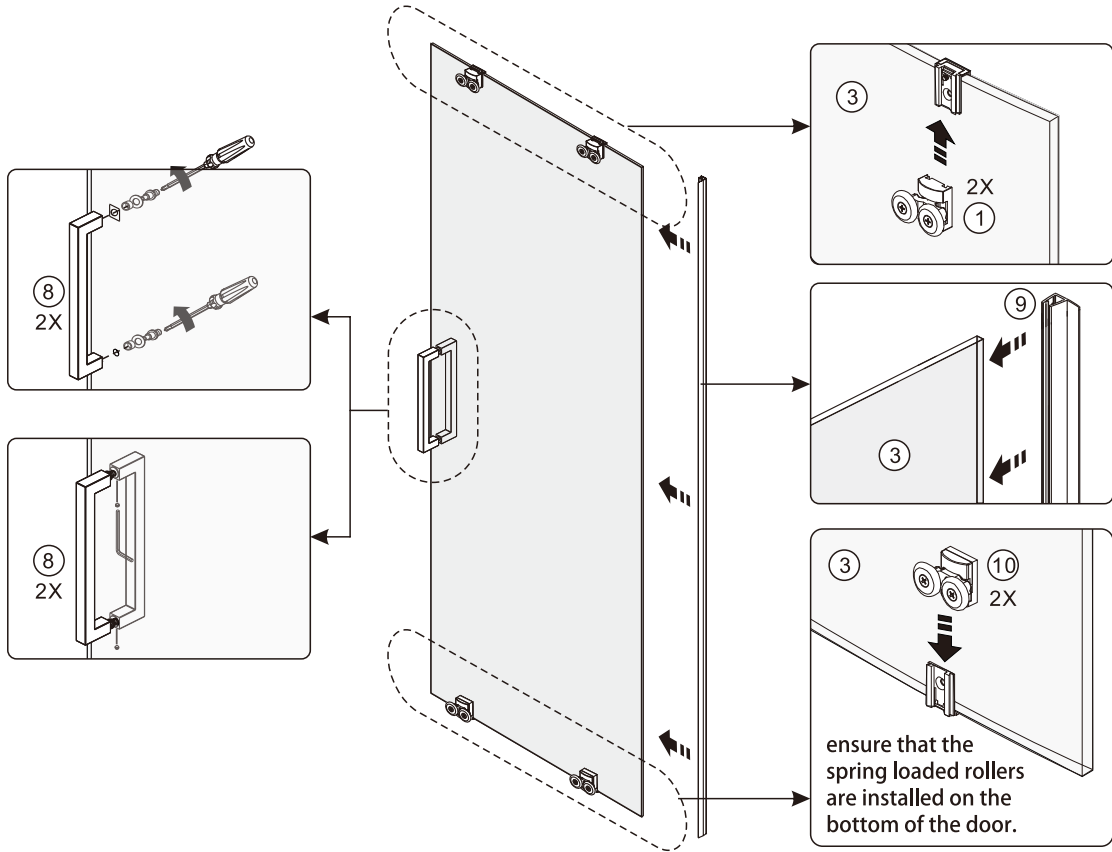
CONTINUED

A 06



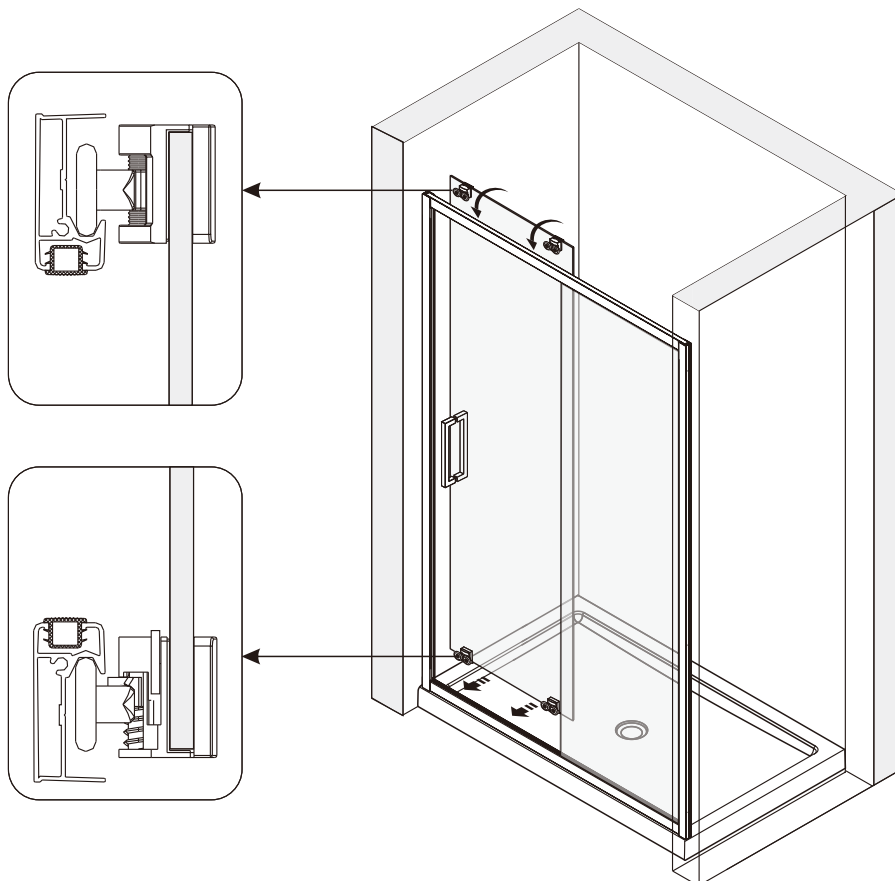
CONTINUED

A 07

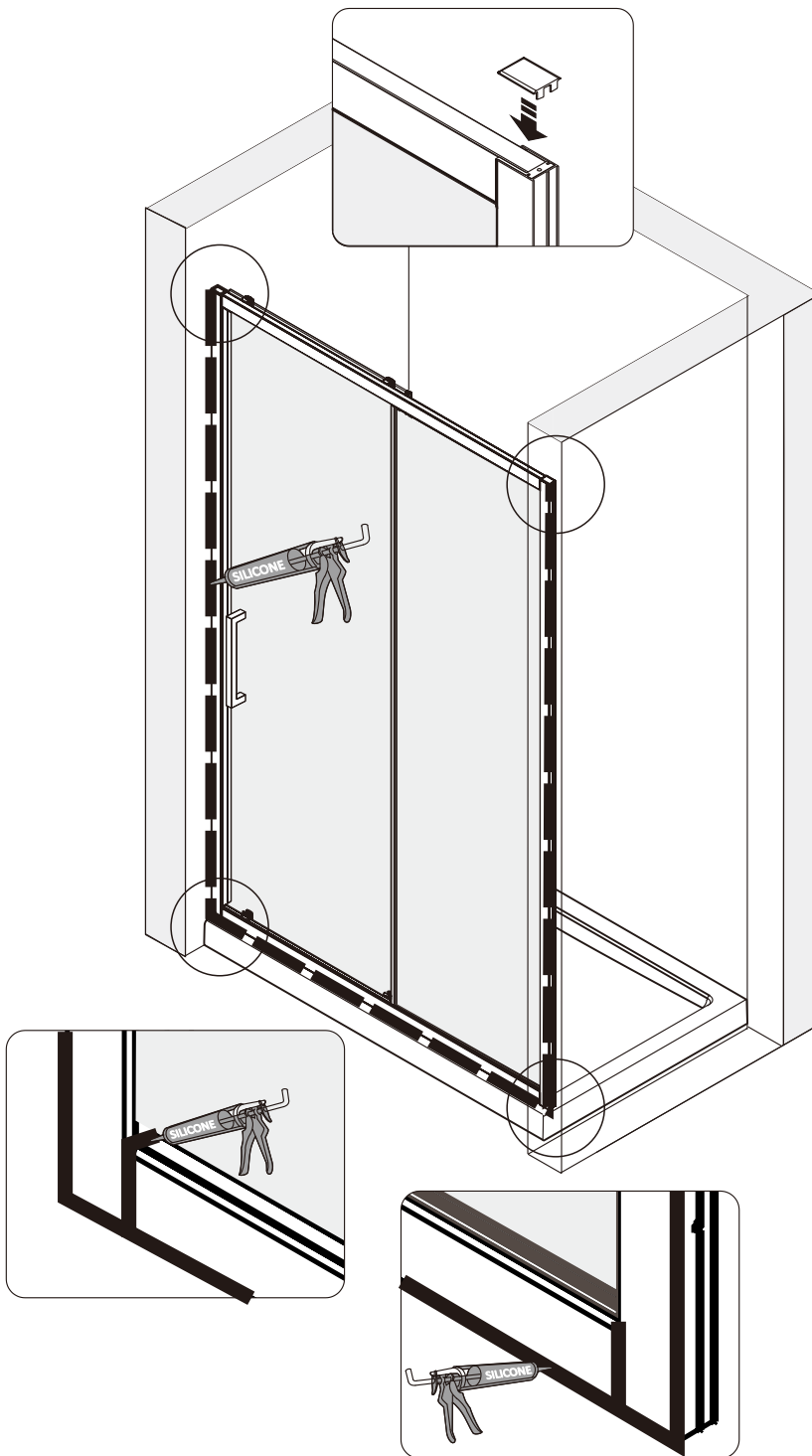
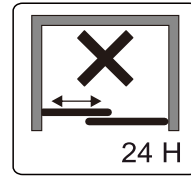
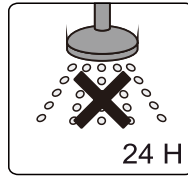


CONTINUED

A 08

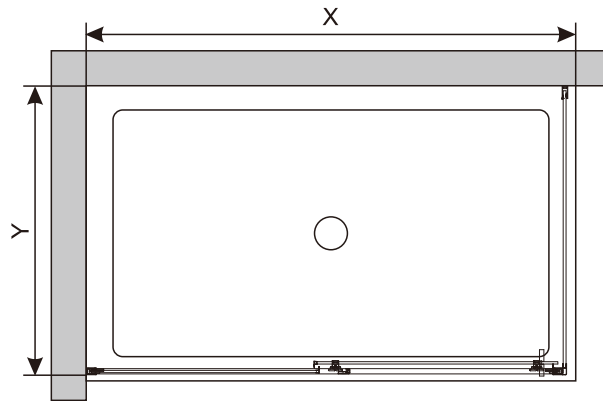


A 09



CONTINUED

B 01

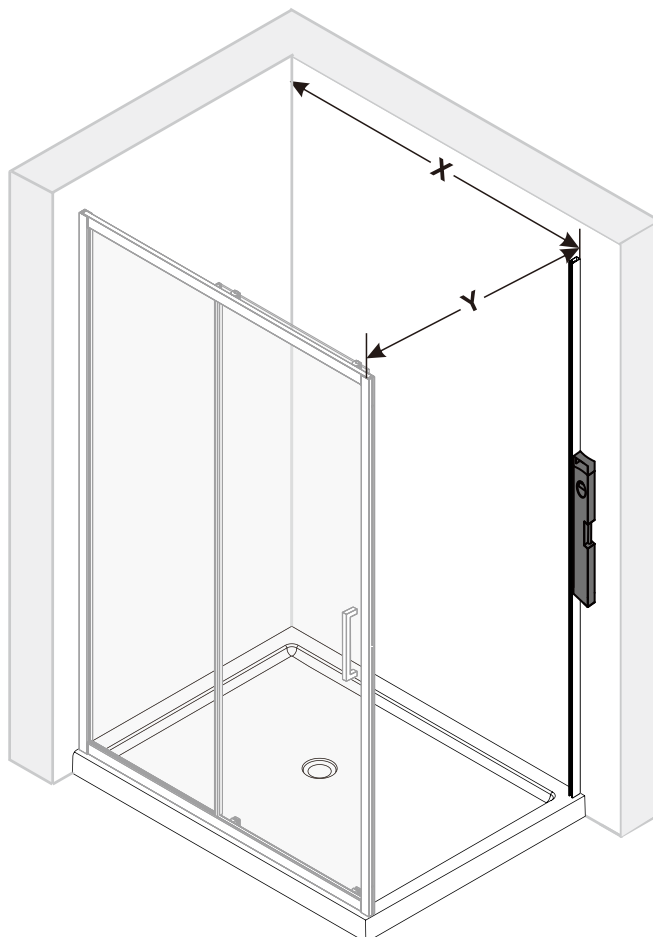
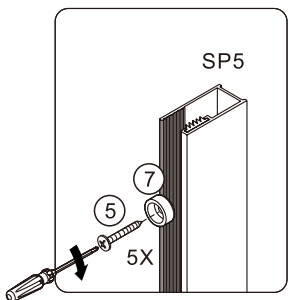
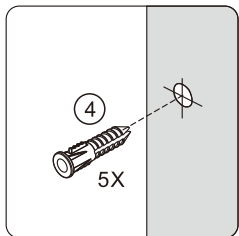
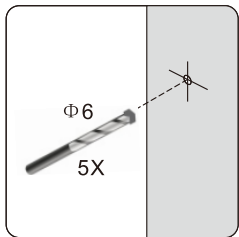


Size	X,mm
1000	950 ~ 980
1100	1050 ~ 1080
1200	1150 ~ 1180
1400	1350 ~ 1380

Size	Y,mm
700	678 ~ 690
760	738 ~ 750
800	778 ~ 790
900	878 ~ 890

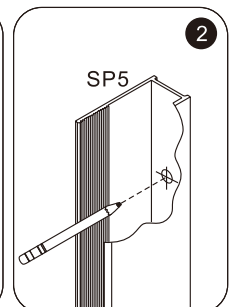
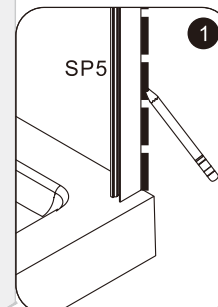
CONTINUED

B 02



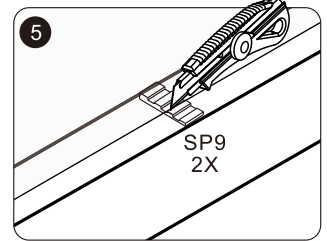
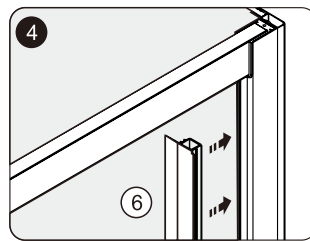
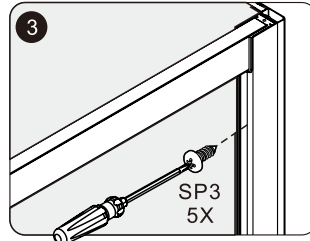
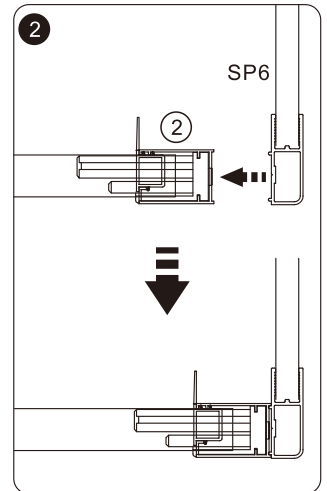
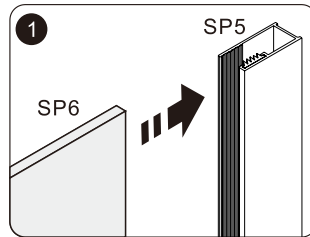
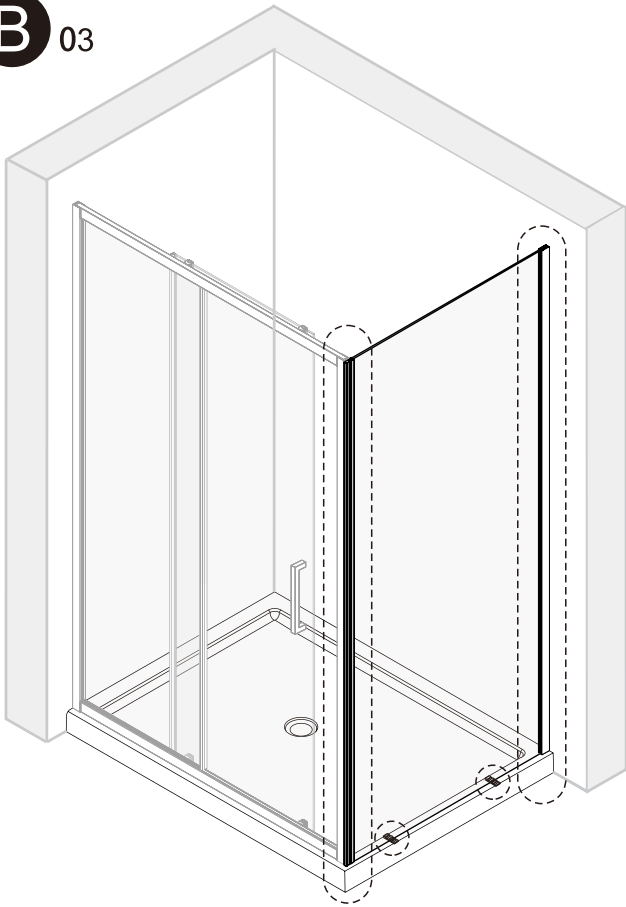
Size	X,mm
1000	950 ~ 980
1100	1050 ~ 1080
1200	1150 ~ 1180
1400	1350 ~ 1380

Size	Y,mm
700	678 ~ 690
760	738 ~ 750
800	778 ~ 790
900	878 ~ 890



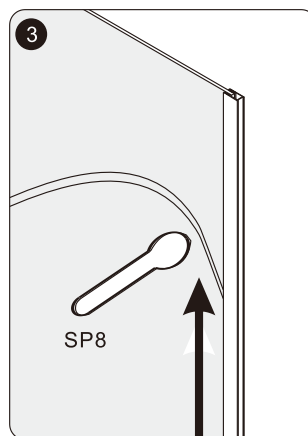
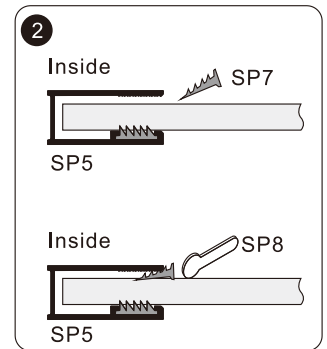
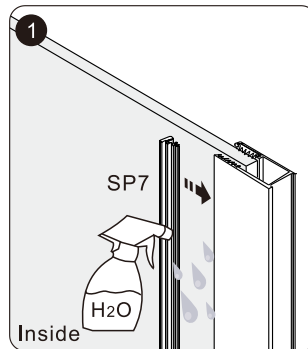
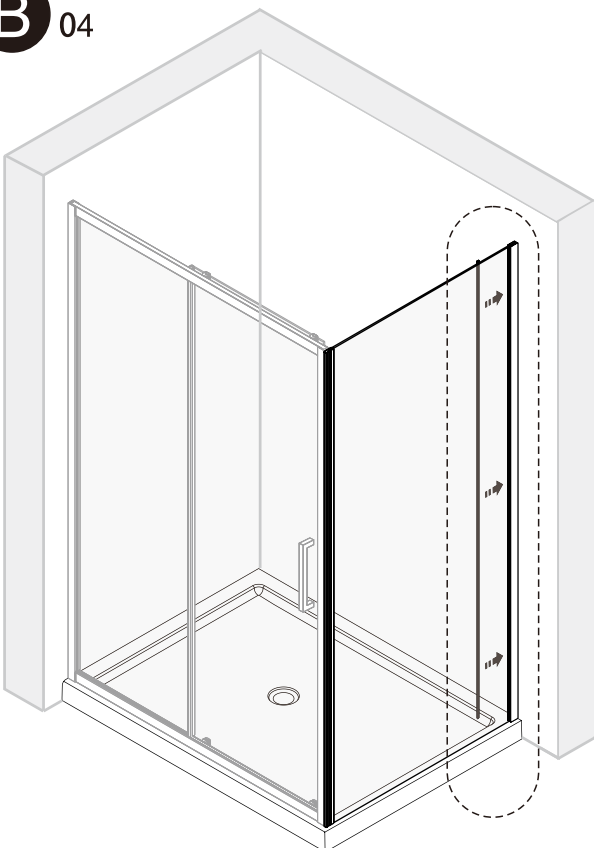
CONTINUED

B 03



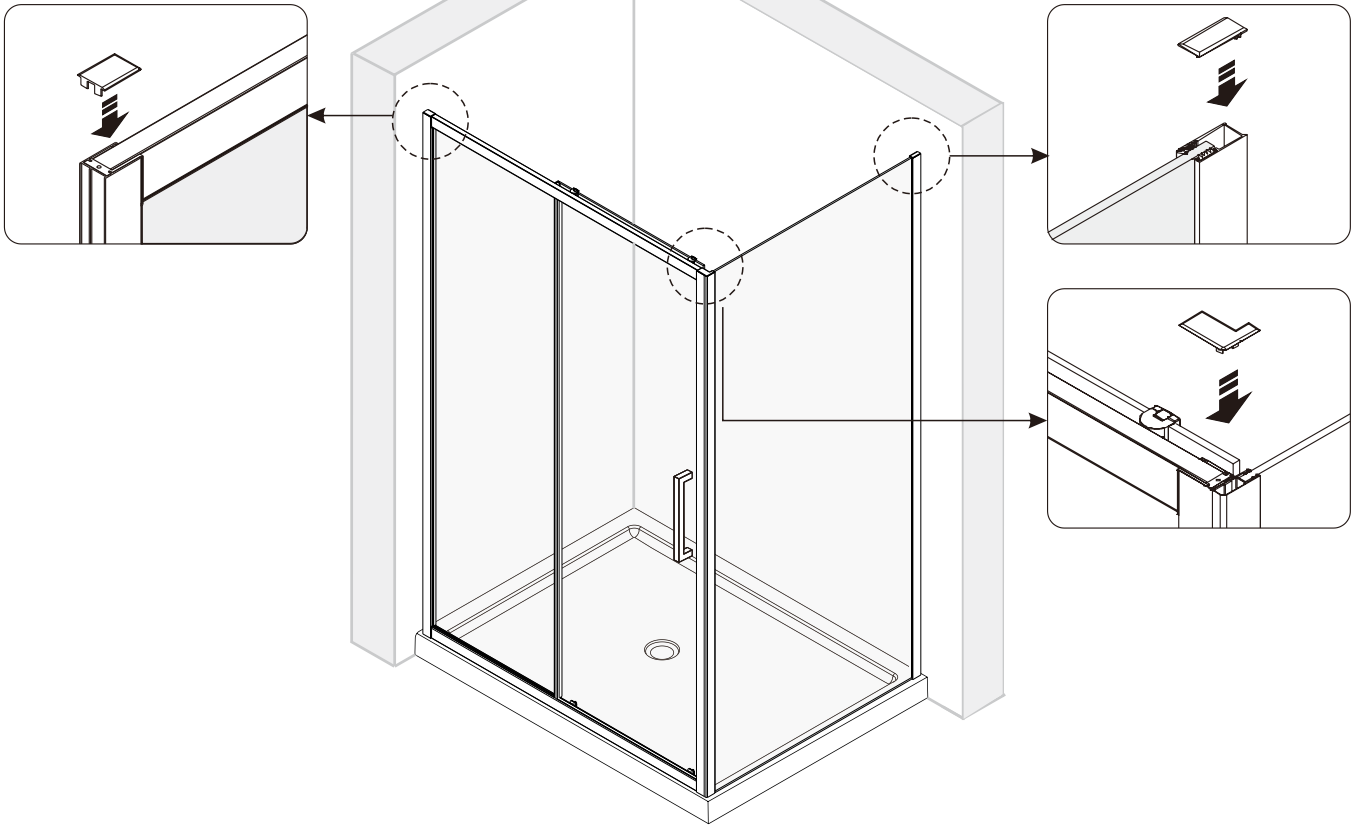
CONTINUED

B 04



CONTINUED

B 05



CONTINUED

B 06

