



Siemens
WK14D541GB
Washer-dryer

Predecessor:
WK14D540GB

Successor:

EAN code:
4242003722664

sales programme:

iQ500

Automatic washer dryer

Fully integrated
WK14D541GB

Performance

- B energy, A wash and B spin class
- Capacity: 7 kg washing, 4 kg drying
- Non-stop wash and dry programme 4 kg
- Maximum spin speed :1400 rpm
- Energy consumption wash and dry 5.5 kWh Water consumption wash and dry 105 litres
- Drum volume: 52 litres
- Noise level: washing 57 dB (re 1pW) Noise level: spinning 74 dB (re 1pW)

Programmes/functions

- Special programmes: night wash, mixed fabrics, Outdoor, shirts/blouses, rapid 15 minute quick wash ,delicates
- Special programme - drying: fluff removal cycle
- Option buttons: menu, select

Key features

- Fully electronic control dial for all wash and special programmes
- Electronic humidity control, and time selection options

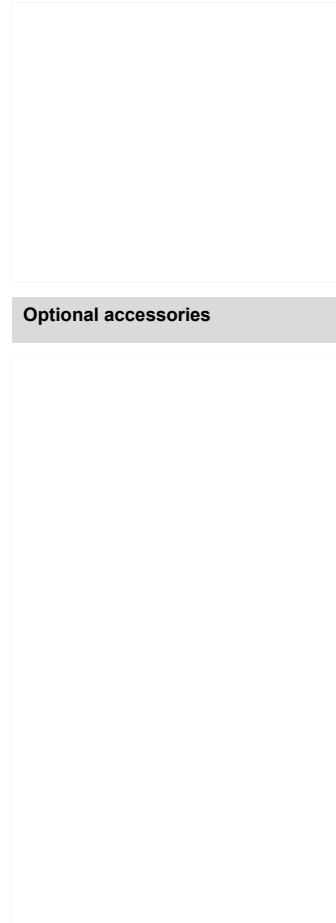
Additional features

- Large display for programme progress indication, temperature, spin speed, time remaining and 24 hours time delay, and indication of drying level
- Aquatronic wash system
- autoLoad
- Foam detection system
- hydroSafe - 24 hour anti-leak protection
- End of cycle buzzer
- Electronic child safety package
- Metal door catch

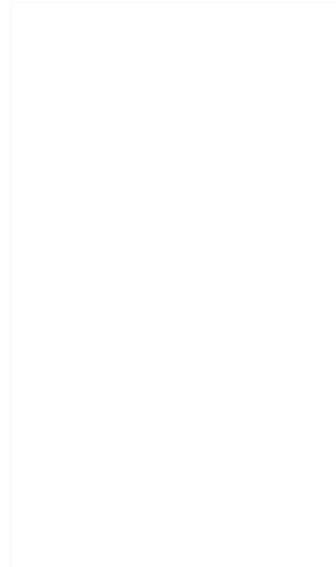
Technical Information

- Dimensions (H X W X D): 82 x 59.5 x 58.4 cm
- White door with 180° opening door and 30 cm porthole opening
- Reload facility
- Out of balance load adjustment
- Left hinged door
- adjustable base height: 16.5 cm
- adjustable base depth: 6.5 cm
- Height adjustment with cardanDrive

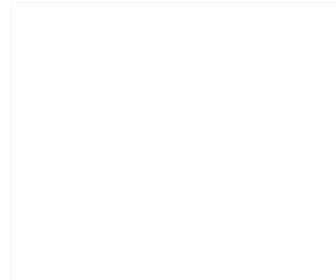
Included accessories



Optional accessories



Alternative colors available



Technical Data

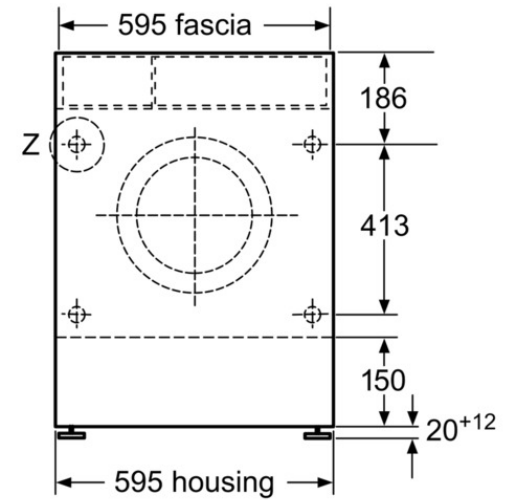
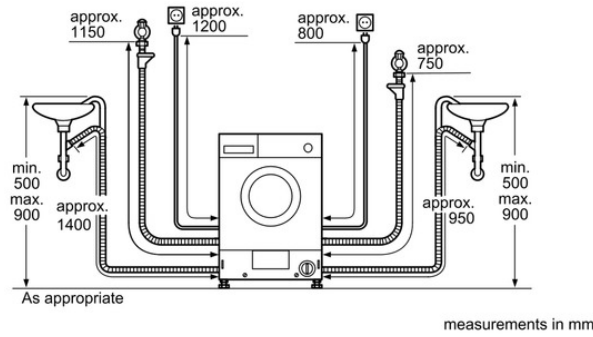
Characteristics

Construction type : Built-under
Removable work top : No
Door hinge : Left
Length of electrical supply cord (cm) : 220
Height of removable worktop (mm) : 820
Dimensions of the product (mm) : 820 x 595 x 584
Net weight (kg) : 82.0
Drum volume (l) : 52
EAN code : 4242003722664

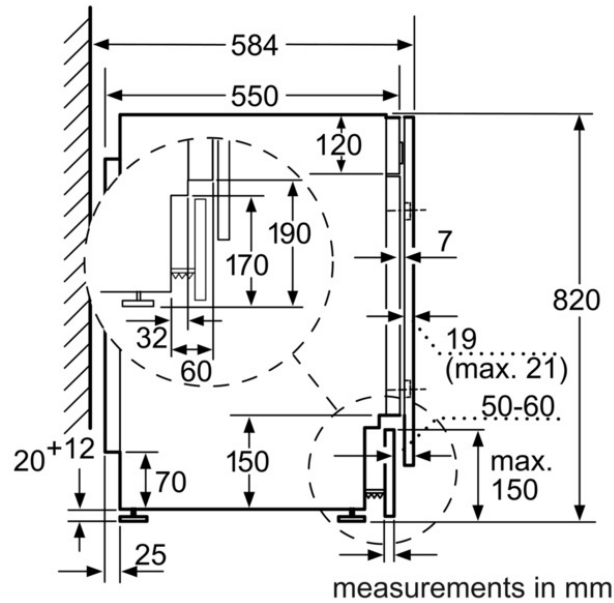
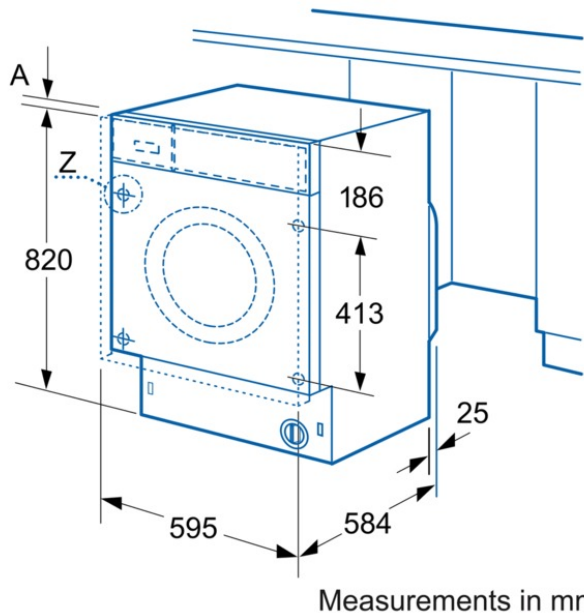
Consumption and connection features

Connection rating (W) : 2300
Current (A) : 13
Nominal power (kW) : 220-240
Frequency (Hz) : 50
Approval certificates : CE, VDE
Energy consumption (wash and dry of full wash load) (kWh) : 5.50
Energy consumption (wash only) (kWh) : 1.27
Water consumption (wash and dry full wash load) (l) : 105

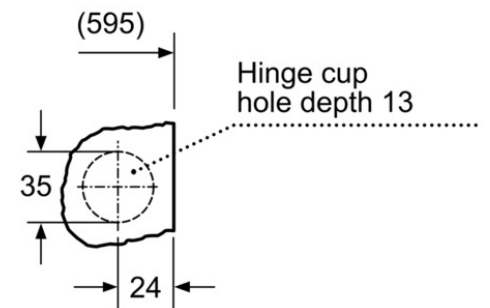
iQ500
Automatic washer dryer
Fully integrated
WK14D541GB



Measurements in mm



Z detail



Measurements in mm