

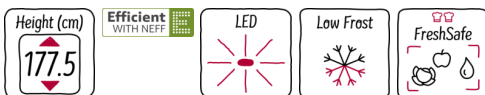
N 70  
 BUILT-IN FRIDGE/FREEZER  
 KI6873F30G  
 EASY INSTALLATION



COOKING PASSION SINCE 1877



A++



This built-in combination refrigerator/freezer with LowFrost and LED interior lighting keeps foods fresh up to 2x longer.

- ✓ FreshSafe 2: High humidity and a temperature of +4°C mean that nutrients are retained.
- ✓ LowFrost: Reduces frost in the freezer compartment for faster defrosting.
- ✓ EasyAccess Shelf: Provides better organization, with a clearer view and better access to foods.
- ✓ VarioShelf: The glass shelf can be divided and one half pushed beneath the other, for flexible interior configurations.
- ✓ LED Lighting: Bright light in the entire fridge with long-life LEDs.

### Features

#### Technical Data

Construction type : Built-in  
 Door panel options : Not possible  
 Height (mm) : 1772  
 Width of the product (mm) : 558  
 Depth of the product : 545  
 Required niche size for installation (HxWxD) : 1775.0 x 560 x 550  
 Net weight (kg) : 67.0  
 Connection rating (W) : 90  
 Current (A) : 13  
 Door hinge : Right reversible  
 Voltage (V) : 220-240  
 Frequency (Hz) : 50  
 Approval certificates : CE, VDE  
 Length of electrical supply cord (cm) : 230  
 Storage Period in Event of Power Failure (h) : 26  
 Number of compressors : 1  
 Number of independent cooling systems : 2  
 Interior ventilator : No  
 Reversible Door Hinge : Yes  
 Number of Adjustable Shelves in fridge compartment (Stck) : 4  
 Shelves for Bottles : No  
 EAN code : 4242004162650  
 Brand : Neff  
 Product name / Commercial code : KI6873F30G  
 Energy efficiency class (2010/30/EC) : A++  
 Energy consumption annual (kWh/annum) - NEW (2010/30/EC) : 225  
 Refrigerator Net capacity (l) - NEW (2010/30/EC) : 209  
 Freezer Net capacity (l) - NEW (2010/30/EC) : 61  
 Frost free system : No  
 Temperature rise time (h) : 26  
 Freezing capacity (kg/24h) - NEW (2010/30/EC) : 7  
 Climate class : SN-T  
 Noise level (dB(A) re 1 pW) : 36  
 Installation type : Full-integrated



4 242004 162650

N 70  
BUILT-IN FRIDGE/FREEZER  
KI6873F30G  
EASY INSTALLATION

## Features

### Performance and Consumption

- Energy Efficiency Class: A++ at a range of energy efficiency classes from A+++ to D
- Energy Efficiency Class: A++ kWh/yr: 0.616 kWh

### Performance and Consumption

- Total net capacity: 270 litres
- Net fridge capacity: 209 litres
- Net freezer capacity: 61 litres
- Noise level dB(A) re 1 pW: 36

### Design features

- Manual defrost freezer
- Fixed hinge
- Right hinged door, reversible
- Electronic controls for fridge and freezer
- Removable magnetic door seals - easy to clean

### Food freshness system

- FreshSense - constant temperature by intelligent sensor technology - Constant temperature control by intelligent sensor technology
- Electronic controls for fridge and freezer
- 1 FreshSafe 2 drawer; High humidity retains nutrients up to twice as long
- Two separate cooling circuits allow independent temperature control and prevents the transference of humidity between the fridge and freezer cavity

### Key features - Fridge section

- Automatic defrost fridge
- Bright interior LED fridge light
- 5 safety glass shelves in fridge compartment of which 4 are height adjustable
- SuperCool function with automatic deactivation

### Key features - Freezer section

- Manual defrost freezer
- 4 star freezer rating
- 2 transparent freezer drawers, 1 bigbox
- Freezing capacity in 24 hours: 7 kg
- Maximum freezer storage time in power failure: 26 hours

### Functions

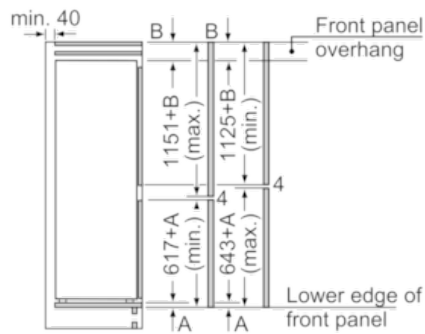
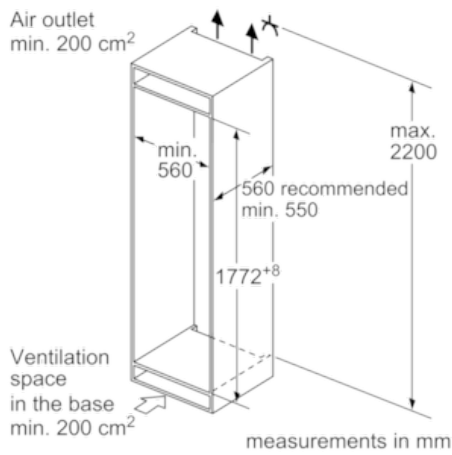
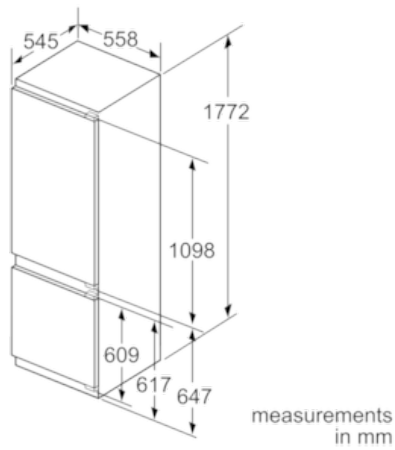
- Freezer malfunction warning signal: optical and acoustical
- SuperFreeze function with automatic deactivation
- Acoustic door open warning indicator

### Dimension and installation

- Connection value 90 W
- Dimensions: 177.2 cm H x 55.8 cm W x 54.5 cm D
- Niche Dimensions: 177.5 cm H x 56 cm W x 55 cm D
- Climate class SN-T (suitable for ambient temperatures between 10 to 43°C)
- Based on the results of the standard 24-hour test. Actual consumption depends on usage/position of the appliance.

N 70  
 BUILT-IN FRIDGE/FREEZER  
 KI6873F30G  
 EASY INSTALLATION

Dimensioned drawings



The specified unit door dimensions are valid for a door gap of 4 mm.  
 measurements in mm