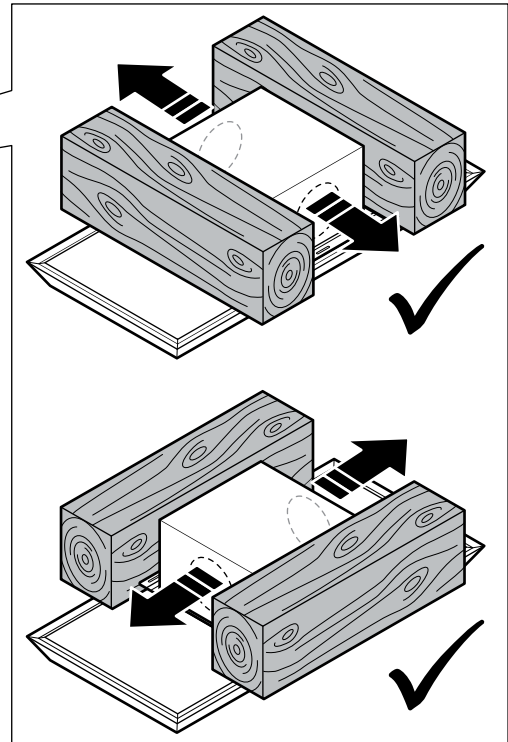
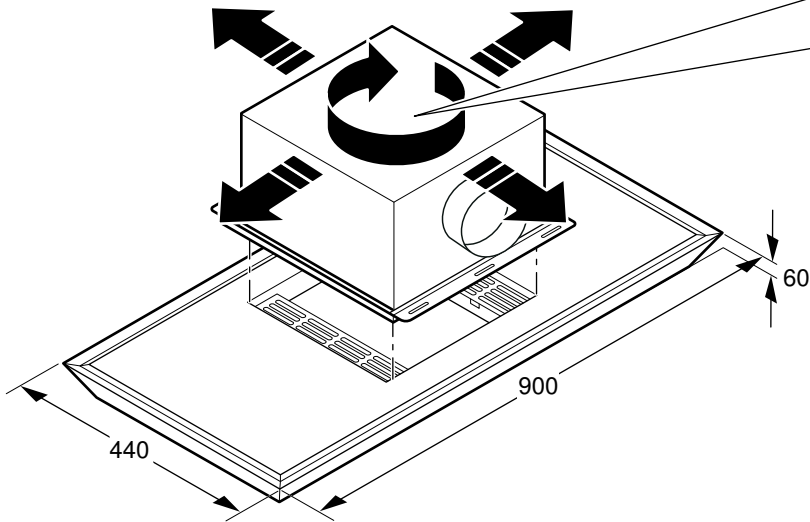
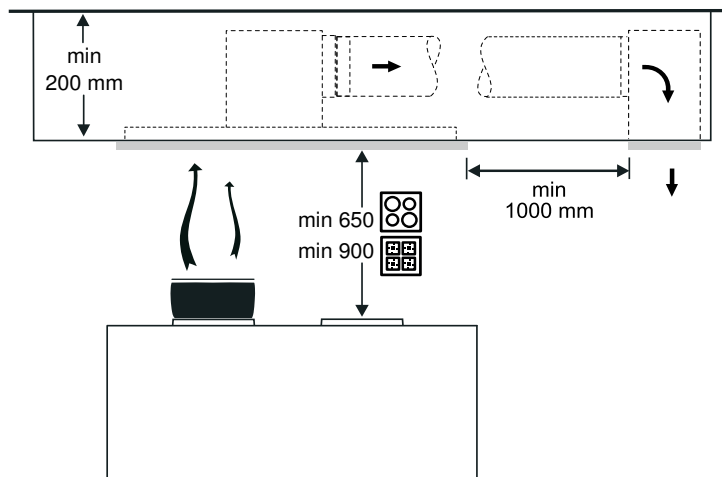


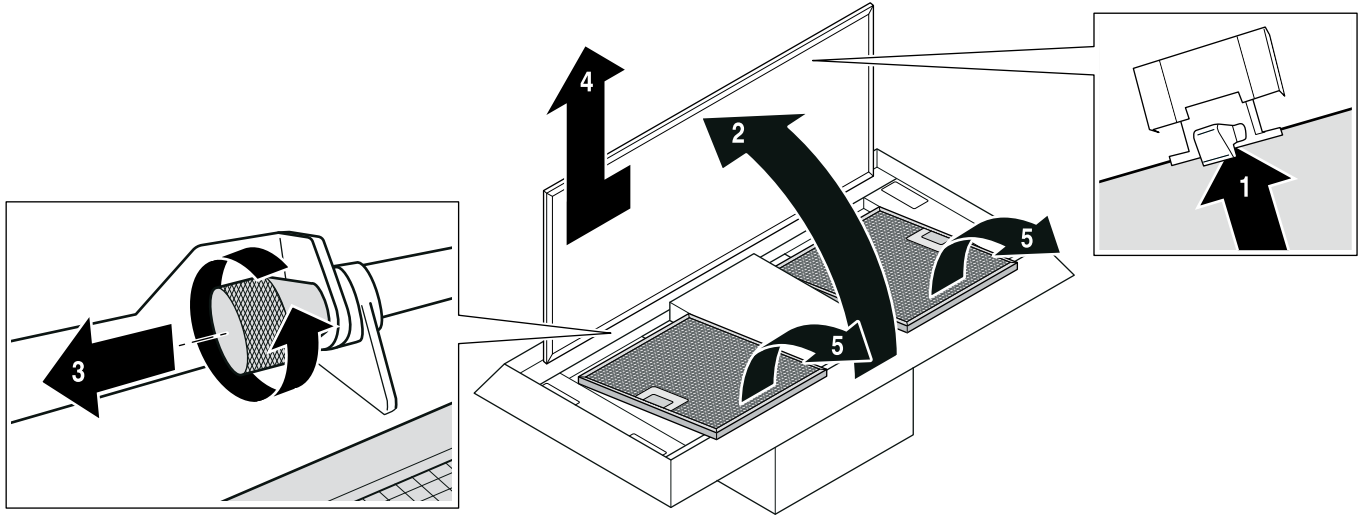
A



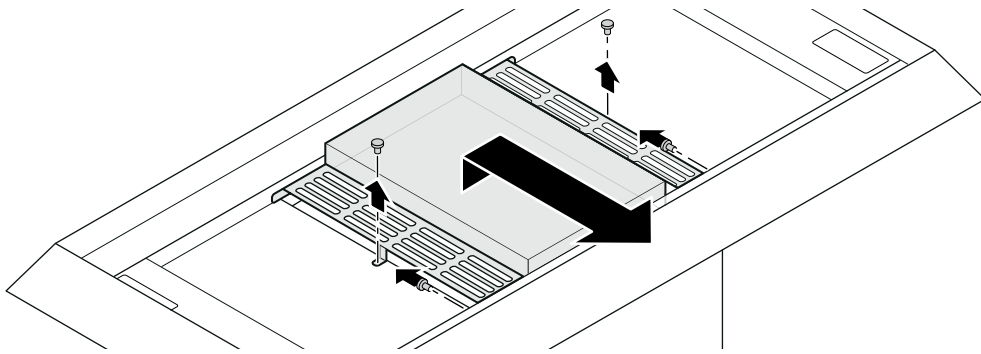
B



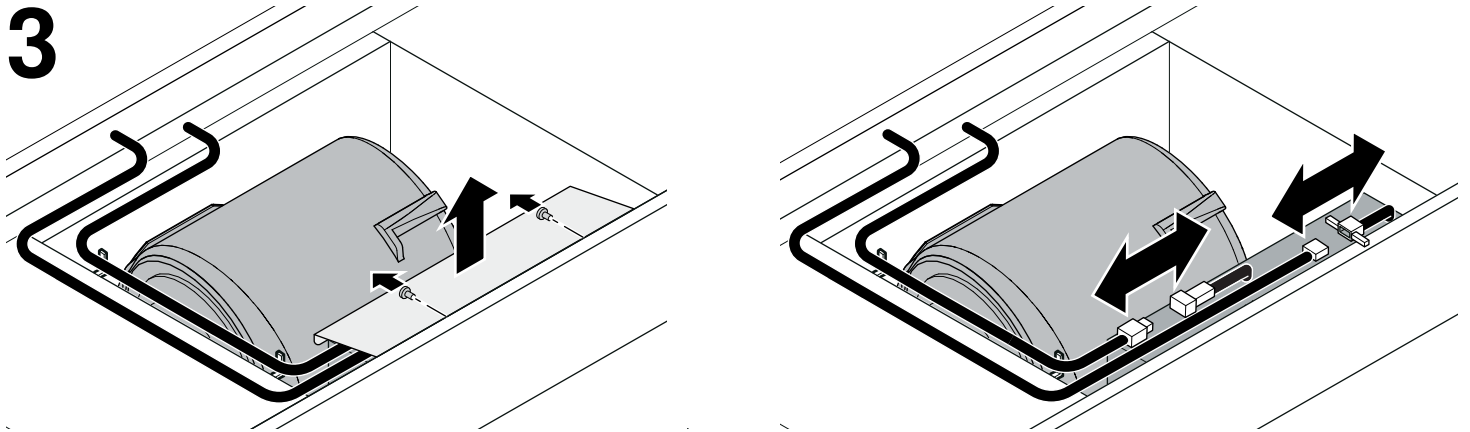
1



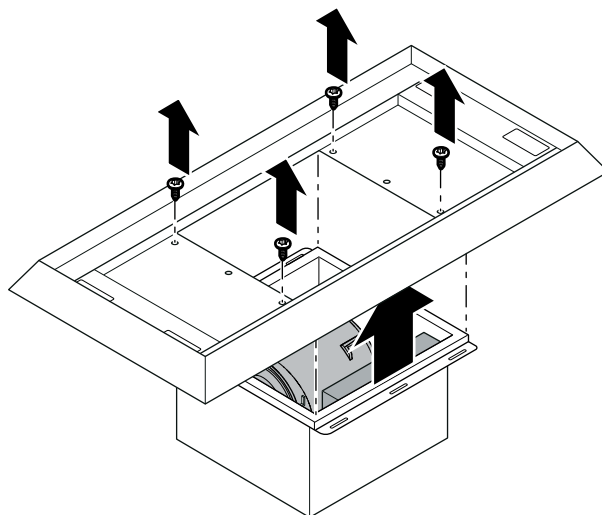
2



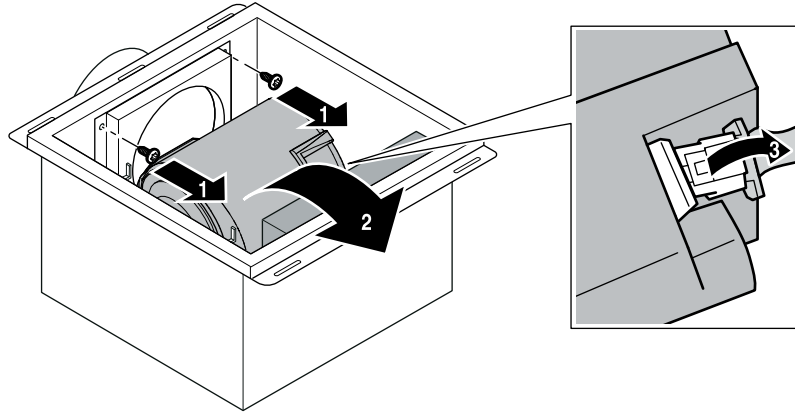
3



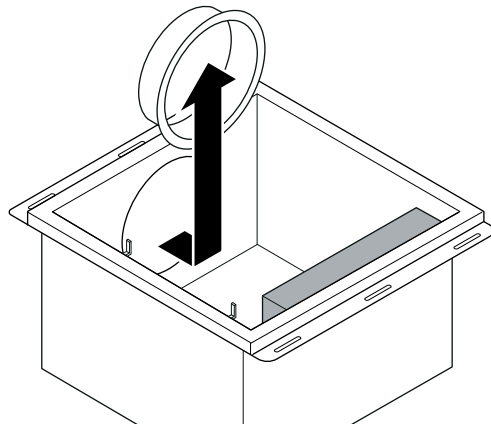
4



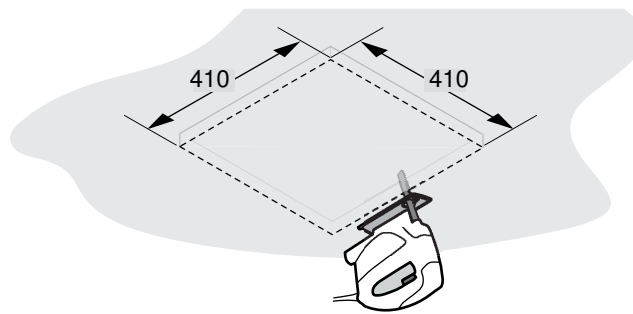
5



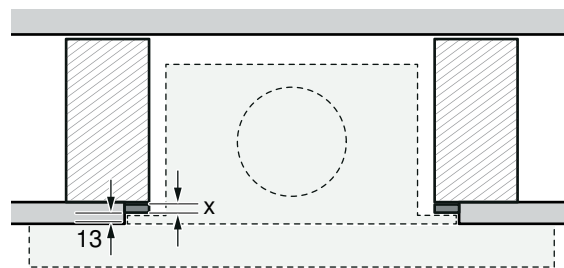
6



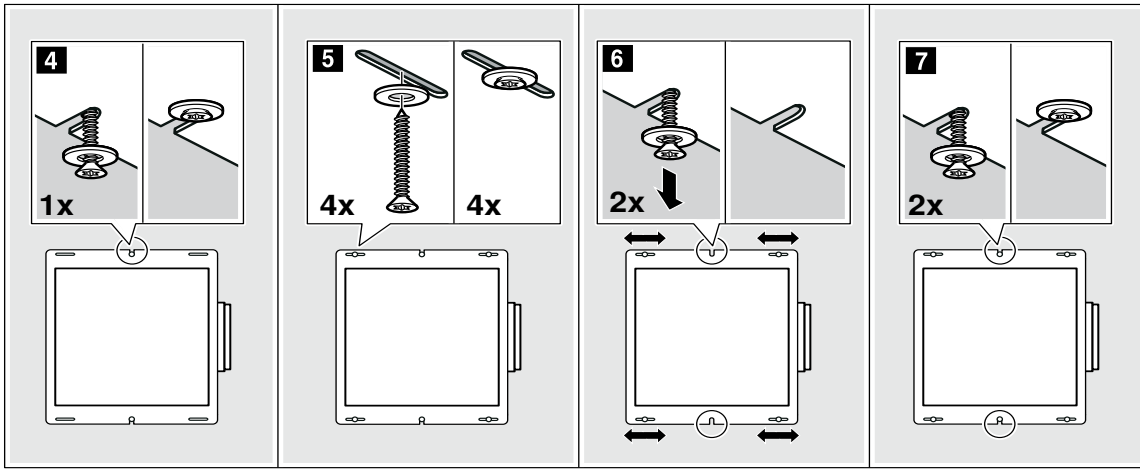
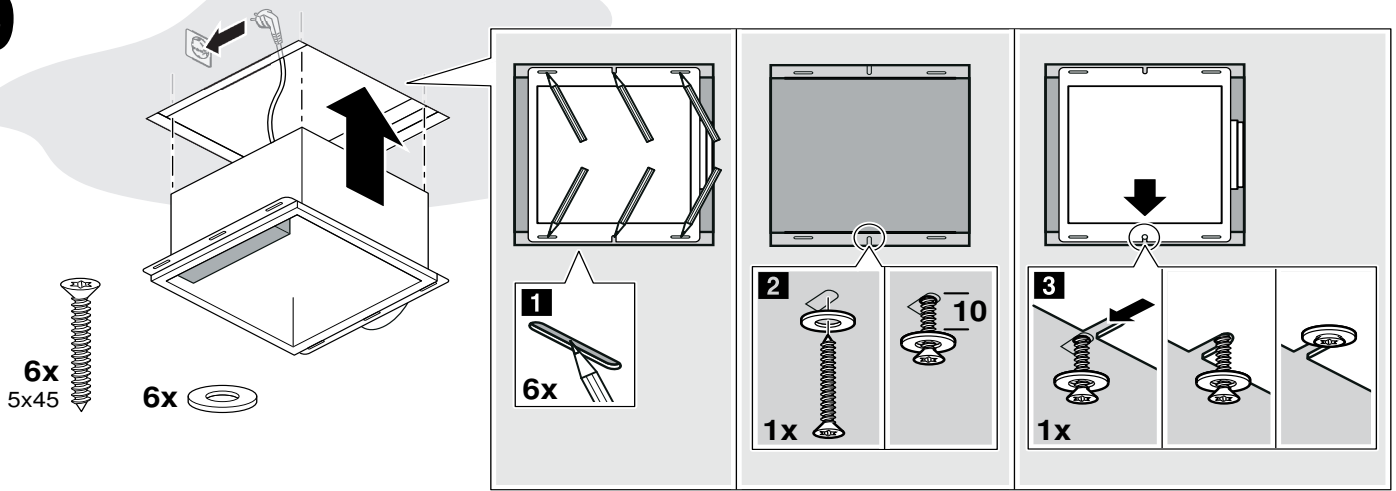
7



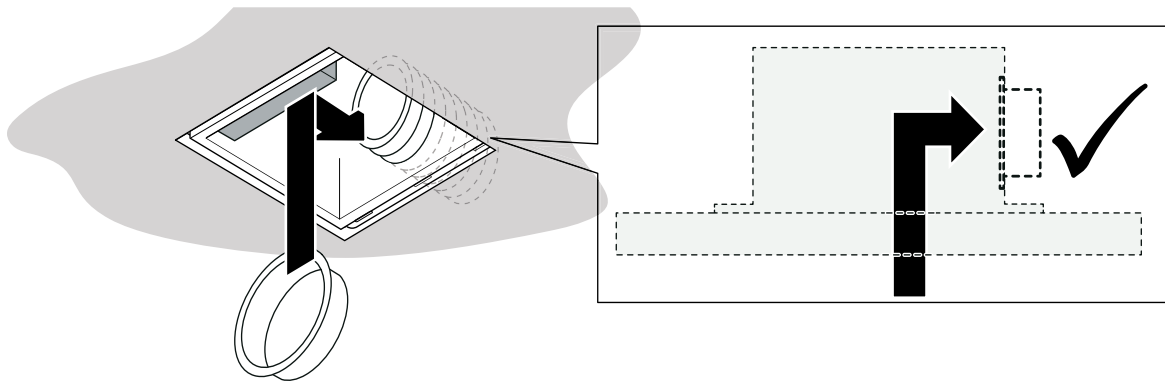
8



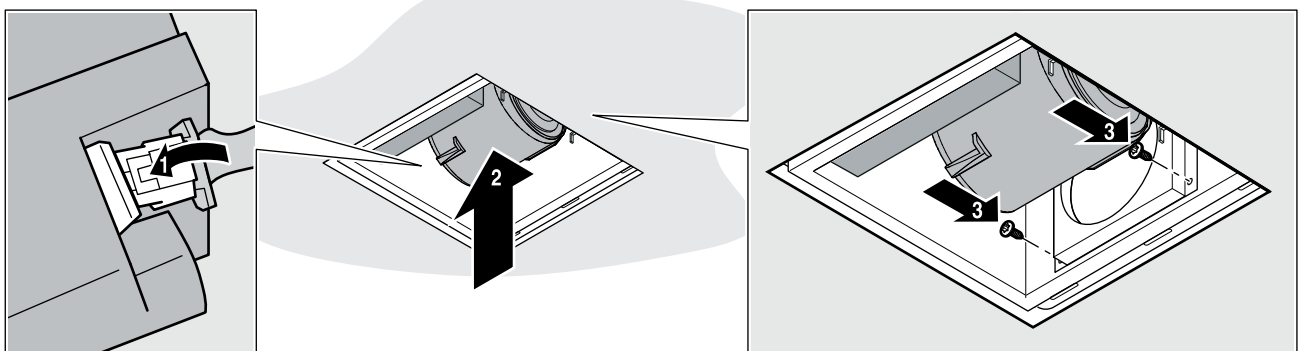
9



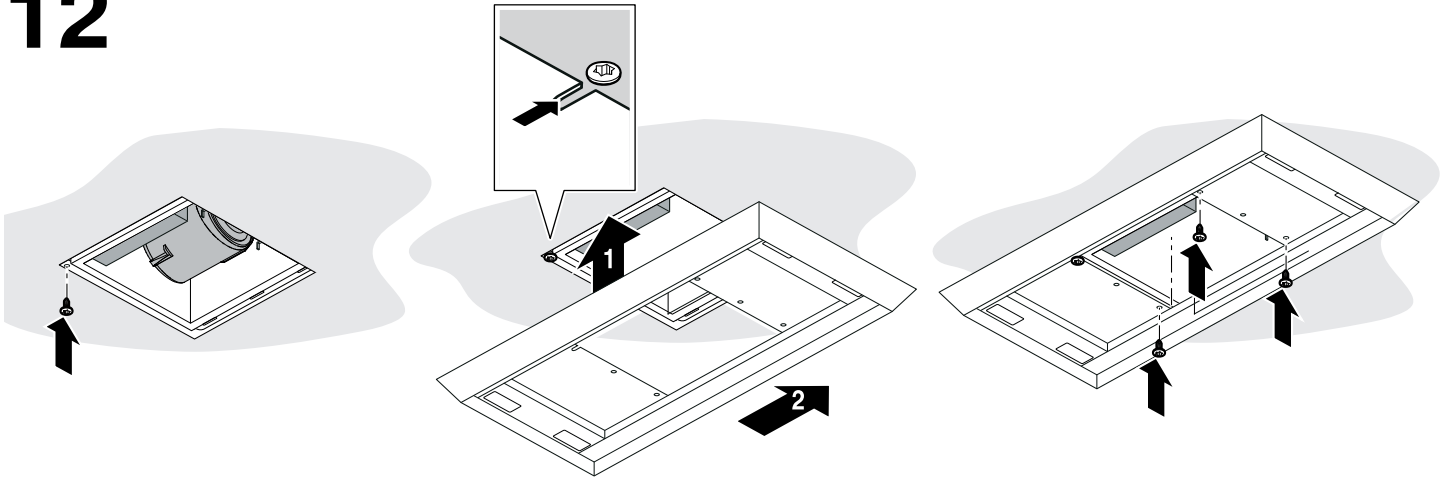
10



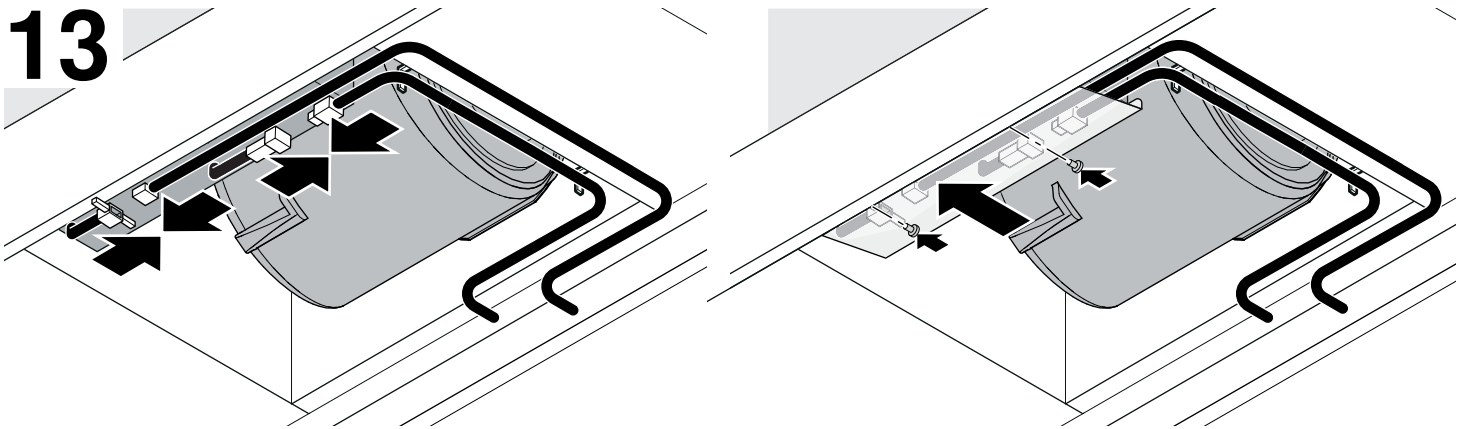
11



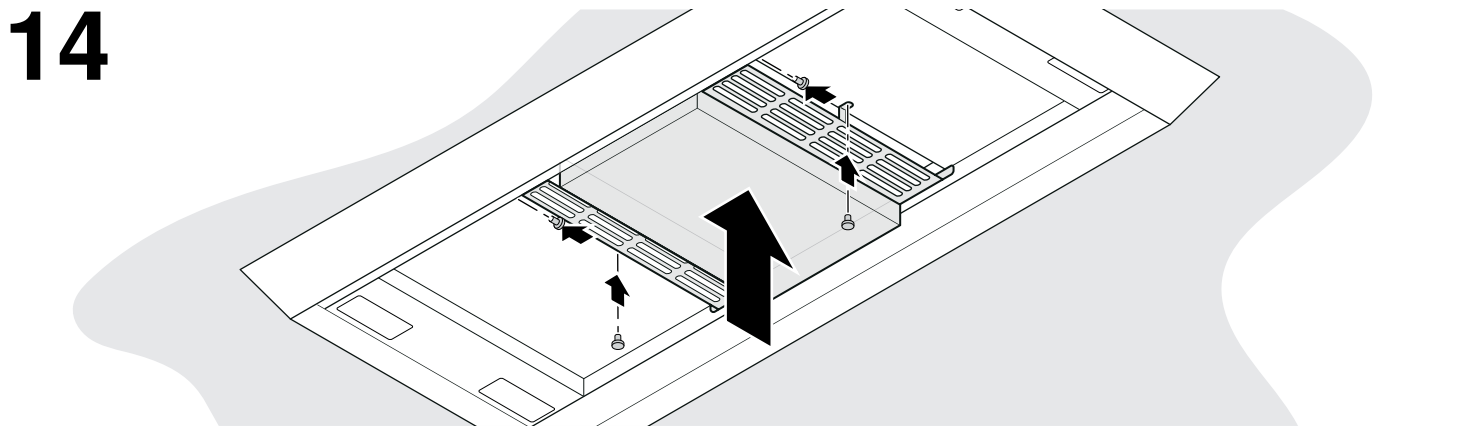
12



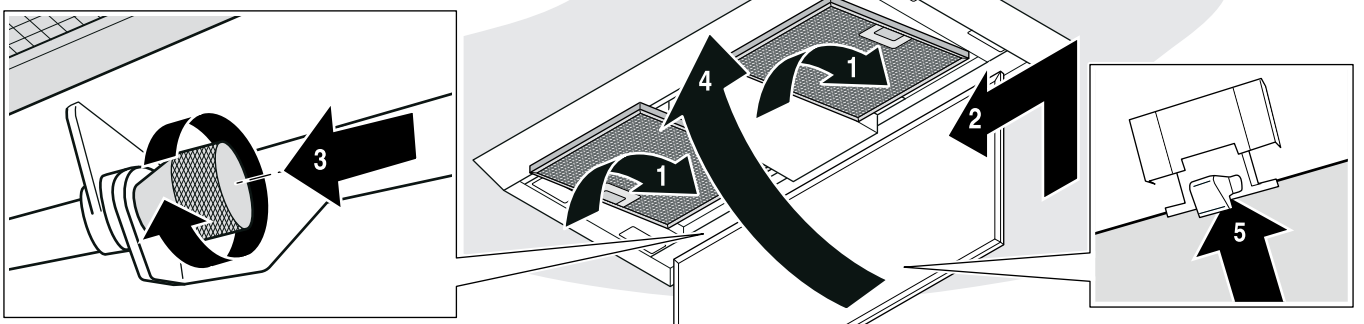
13



14



15



⚠ Important safety information

Read these instructions carefully. Only then will you be able to operate your appliance safely and correctly. Retain the instruction manual and installation instructions for future use or for subsequent owners.

Check the appliance for damage after unpacking it. Do not connect the appliance if it has been damaged in transport.

The appliance can only be used safely if it is correctly installed according to the safety instructions. The installer is responsible for ensuring that the appliance works perfectly at its installation location.

The width of the extractor hood must correspond at least with the width of the hob.

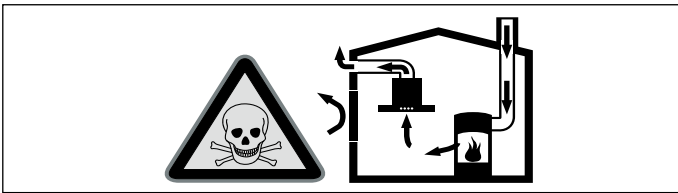
For the installation, observe the currently valid building regulations and the regulations of the local electricity and gas suppliers.

When conveying the exhaust air, official and legal regulations (e.g. state building regulations) must be followed.

Danger of death!

Risk of poisoning from flue gases that are drawn back in.

Always ensure adequate fresh air in the room if the appliance is being operated in exhaust air mode at the same time as room air-dependent heat-producing appliance is being operated.

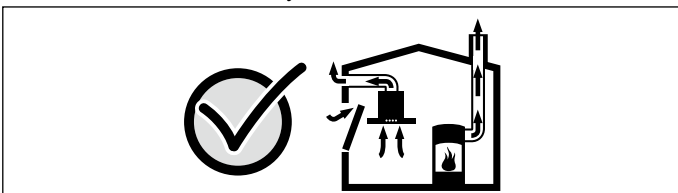


Room air-dependent heat-producing appliances (e.g. gas, oil, wood or coal-operated heaters, continuous flow heaters or water heaters) obtain combustion air from the room in which they are installed and discharge the exhaust gases into the open air through an exhaust gas system (e.g. a chimney).

In combination with an activated vapour extractor hood, room air is extracted from the kitchen and neighbouring rooms - a partial vacuum is produced if not enough fresh air is supplied. Toxic gases from the chimney or the extraction shaft are sucked back into the living space.

- Adequate incoming air must therefore always be ensured.
- An incoming/exhaust air wall box alone will not ensure compliance with the limit.

Safe operation is possible only when the partial vacuum in the place where the heat-producing appliance is installed does not exceed 4 Pa (0.04 mbar). This can be achieved when the air needed for combustion is able to enter through openings that cannot be sealed, for example in doors, windows, incoming/exhaust air wall boxes or by other technical means.



In any case, consult your responsible Master Chimney Sweep. He is able to assess the house's entire ventilation setup and will suggest the suitable ventilation measures to you.

Unrestricted operation is possible if the vapour extractor hood is operated exclusively in the circulating-air mode.

Risk of death!

Risk of poisoning from flue gases that are drawn back in. The exhaust air must not be conveyed into a functioning smoke or exhaust gas flue or into a shaft which is used to ventilate installation rooms that contain heating appliances. If the exhaust air is to be conveyed into a non-functioning smoke or exhaust gas flue, you must obtain the consent of the heating engineer responsible.

Danger of suffocation!

Packaging material is dangerous to children. Never allow children to play with packaging material.

Risk of electric shock!

- Components inside the appliance may have sharp edges. These may damage the connecting cable. Do not kink or pinch the connecting cable during installation.
- It must always be possible to disconnect the appliance from the electricity supply. The appliance must only be connected to a protective contact socket that has been correctly installed. The mains plug of the mains power cable must be easily accessible after installation of the appliance. If this is not possible, an all-pole isolating switch must be integrated into the permanent electrical installation according to the conditions of overvoltage category III and according to the installation regulations.

The permanent electrical installation must only be wired by a professional electrician. We recommend installing a residual-current circuit breaker (RCCB) in the appliance's power supply circuit.

Risk of fire!

- Grease deposits in the grease filter may catch fire. The specified safety distances must be observed in order to prevent an accumulation of heat. Observe the specifications for your cooking appliance. If gas burners and electric hotplates are operated together, the largest specified distance applies.
- Grease deposits in the grease filter may catch fire. Never work with naked flames close to the appliance (e.g. flambéing). Do not install the appliance near a heat-producing appliance for solid fuel (e.g. wood or coal) unless a closed, non-removable cover is available. There must be no flying sparks.

Risk of injury!

- Components inside the appliance may have sharp edges. Wear protective gloves.
- The appliance may fall down if it has not been properly fastened in place. All fastening components must be fixed firmly and securely.
- Changes to the electrical or mechanical assembly are dangerous and may lead to malfunctions. Do not make any changes to the electrical or mechanical assembly.
- The appliance is very heavy. The appliance must not be fitted directly onto plasterboard or similar lightweight materials. To ensure correct installation, you must use a material which is sufficiently stable and suitable for both the structural conditions and the weight of the appliance.

General information

The surfaces of the appliance are easily damaged. Avoid damaging them during installation.

Exhaust air mode

Note: The air must not be discharged into a flue that is used for exhausting fumes from appliances burning gas or other fuels (not applicable to appliances that only discharge the air back into the room).

- Before conveying the exhaust air into a non-functioning smoke or exhaust gas flue, obtain the consent of the heating engineer responsible.
- If the exhaust air is conveyed through the outer wall, a telescopic wall box should be used.

Exhaust duct

Note: The appliance manufacturer does not provide any warranty for faults attributable to the pipe section.

- The appliance achieves its optimum performance by means of a short, straight exhaust air pipe and as large a pipe diameter as possible.
- As a result of long, rough exhaust air pipes, many pipe bends or pipe diameters that are smaller than 150 mm, the optimum extraction performance is not achieved and fan noise is increased.
- The pipes or hoses for laying the exhaust air line must consist of non-combustible material.
- If the exhaust air is conveyed through the outer wall, a telescopic wall box should be used.

Risk of damage from returning condensate. Install the exhaust duct in such a way that it falls away from the appliance slightly (1° slope).

Round pipes

An inner diameter of 150 mm, but at least 120 mm, is recommended.

Flat ducts

The inner cross-section must correspond to the diameter of the round pipes.

dia. 150 mm ca. 177 cm²

dia. 120 mm ca. 113 cm²

- Flat ducts should have no sharp deflections.
- Use sealing strip for deviating pipe diameters.

Circulating-air mode

Note: The appliance must only be operated when it is securely installed and the pipework is connected.

Electrical connection

⚠ Risk of electric shock!

Components inside the appliance may have sharp edges. These may damage the connecting cable. Do not kink or pinch the connecting cable during installation.

The required connection data can be found on the rating plate inside the appliance; to do this, remove the metal mesh grease filter.

This appliance complies with the EC interference suppression regulations.

This appliance may be connected to a correctly installed earthed socket only.

Attach the earthed socket preferably inside the flue duct.

- The earthed socket should be connected via its own circuit.
- If the earthed socket is no longer accessible following installation of the appliance, a disconnecter must be fitted as for a permanent connection.

If a permanent connection is required, the installation must feature an all-pole disconnecter (circuit breakers, fuses and contactors) with a min. 3 mm contact opening. The permanent connection may be installed by an electrician only.

Installation preparation

Checking the ceiling

- The ceiling must be flat, horizontal and adequately load-bearing.
- The maximum weight of the extractor hood is 18 kg.
- The cooking vapours are more difficult to draw in the further away they are from the hob. We recommend a distance of at least 700 mm and a maximum of 1500 mm.

Appliance dimensions and safety clearances

- Observe the appliance's dimensions. **(Fig. A)**
The power levels were measured in the built-in as delivered. If the installation positions change, the power levels may vary.
- Comply with the safety clearances. **(Fig. B)**

If the installation instructions for the gas cooking appliance specify a different distance, the larger of the two must always be provided for.

Preparing the appliance

1. Push the locking mechanism together with two hands, take hold of the filter cover and open it. **(Fig. 1)**
2. Remove the filter cover. **(Fig. 1)**
3. Remove the metal grease filter. **(Fig. 1)**
4. Remove the motor cover. **(Fig. 2)**
5. Remove the cable cover. **(Fig. 3)**
6. Loosen both plug-and-socket connections and release the cables from the cable holders. **(Fig. 3)**
7. Remove the view frame. **(Fig. 4)**
8. Remove the motor. **(Fig. 5)**
9. Disconnect the power supply for the motor. **(Fig. 5)**
10. Remove the air pipe connector. **(Fig. 6)**

Preparing the ceiling

The ceiling must be heat-resistant up to 90°C. The ceiling must still be sturdy after the cut-outs have been made.

After making the cut-outs, remove any shavings.

1. Make the cut-out in the ceiling. **(Fig. 7)**
2. If necessary, compensate for the ceiling thickness by 13 mm by placing wood underneath. **(Fig. 8)**

Installing the appliance

1. Switch off the circuit breaker in the fuse box.
2. Insert the motor block in the ceiling. **(Fig. 9)**
3. Align the motor block, mark the drill holes, and set the motor block down again. **(Fig. 9)**
4. Screw in one of the two middle screws, but do not screw it in completely. **(Fig. 9)**
5. Plug the mains plug into the earthed socket. **(Fig. 9)**
6. Hook the motor block into the central screw and tighten the screw. **(Fig. 9)**
7. Tighten the second central screw. **(Fig. 9)**
8. Screw in the remaining four screws loosely; do not tighten them fully. **(Fig. 9)**
9. Loosen the two central screws again. **(Fig. 9)**
10. Align the motor block and tighten all of the screws. **(Fig. 9)**
11. Connect the exhaust air pipe.
12. Fit the air pipe connector. **(Fig. 10)**
13. Insert the power cord into the motor. **(Fig. 11)**
14. Insert the motor in the motor block and screw in place. **(Fig. 11)**
15. Secure the screw for the elongated hole in the view frame on the motor block, but do not screw it in completely. **(Fig. 12)**
16. Hook the view frame onto the elongated hole and tighten all of the screws. **(Fig. 12)**
17. Insert both plug the plug-and-socket connections and hook on the cables. **(Fig. 13)**
18. Fit the cable cover. **(Fig. 13)**
19. Fit the motor cover. **(Fig. 14)**
20. Fit the metal grease filter. **(Fig. 15)**
21. Fit the filter cover. **(Fig. 15)**
22. Close the filter cover and engage the lock. **(Fig. 15)**
23. Switch the circuit breaker in the fuse box back on.

Removing the appliance

1. Switch off the circuit breaker.
2. Open and remove the filter cover.
3. Remove the metal grease filter.
4. Remove the motor cover.
5. Disconnect the power connections between the view frame and motor.
6. Remove the view frame.
7. Remove the motor.
8. Remove the exhaust pipe from the air pipe connector.
9. Remove the motor block.
10. Disconnect the appliance from the power supply.

