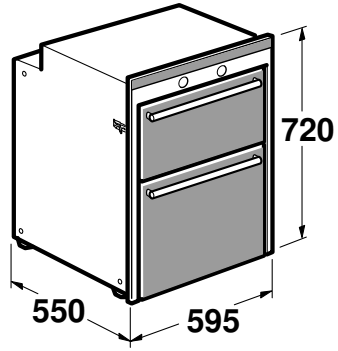


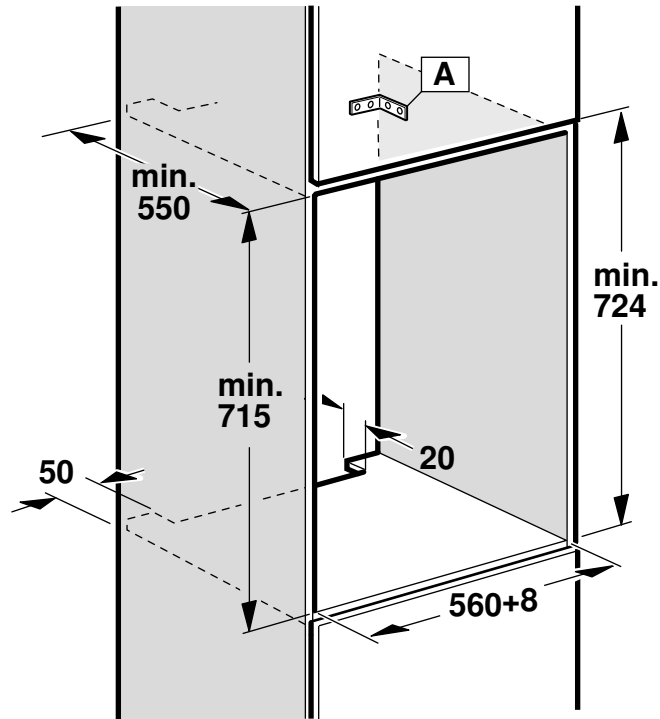
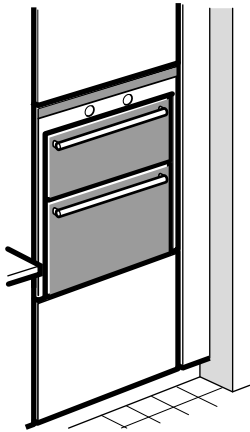


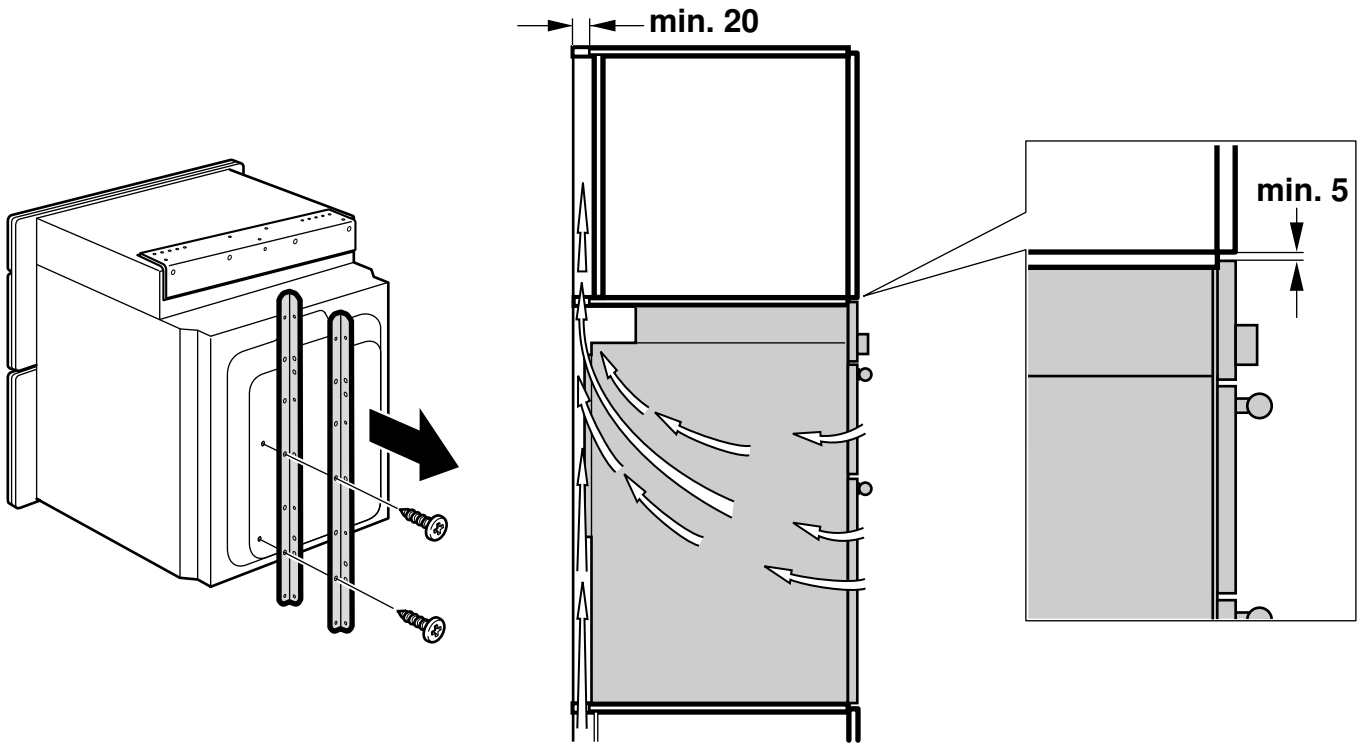
9000402535 951223

# DKBO SE

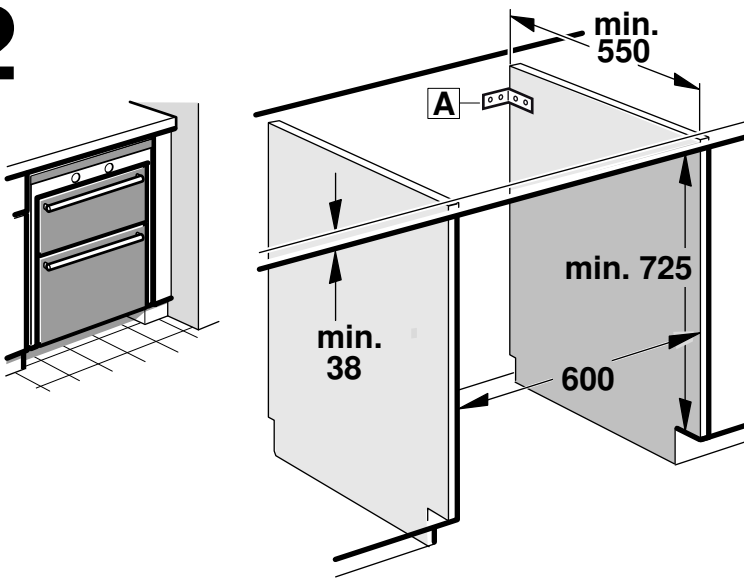


1

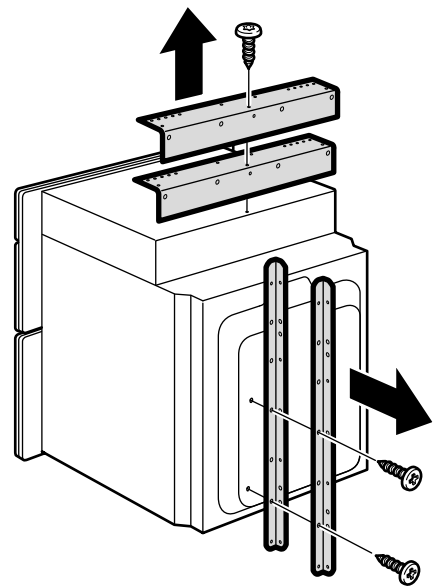


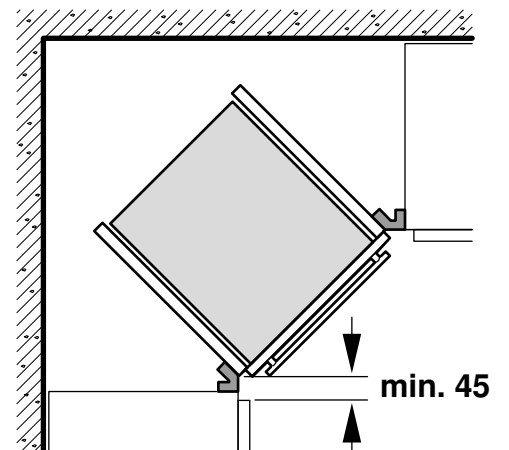
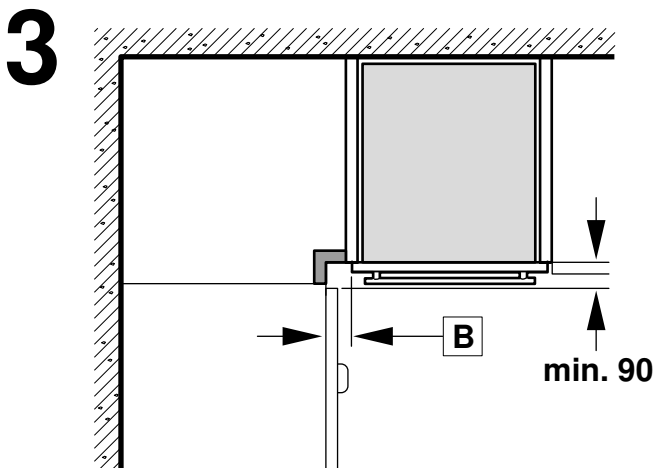
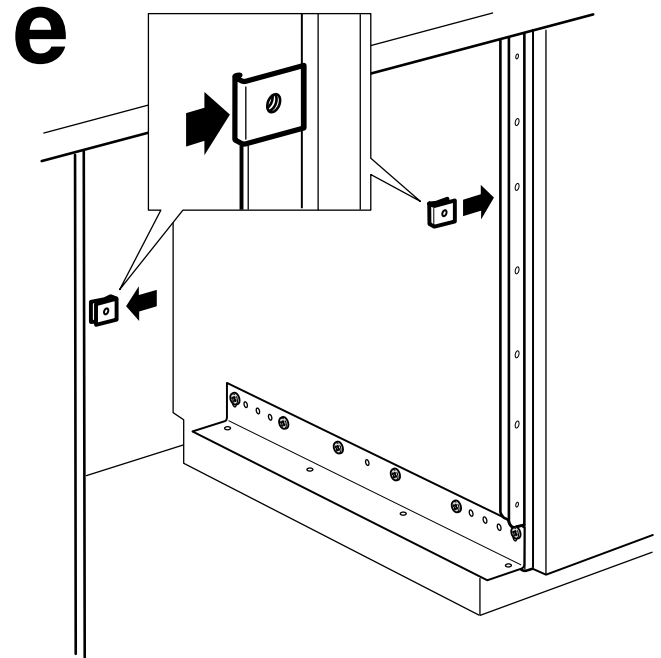
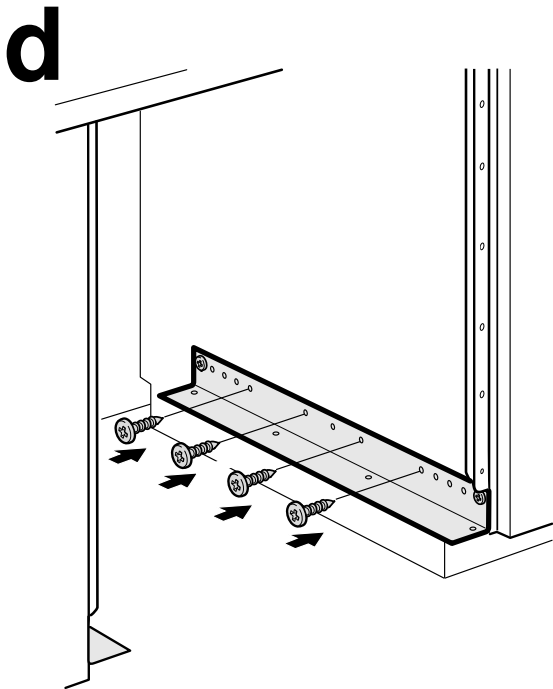
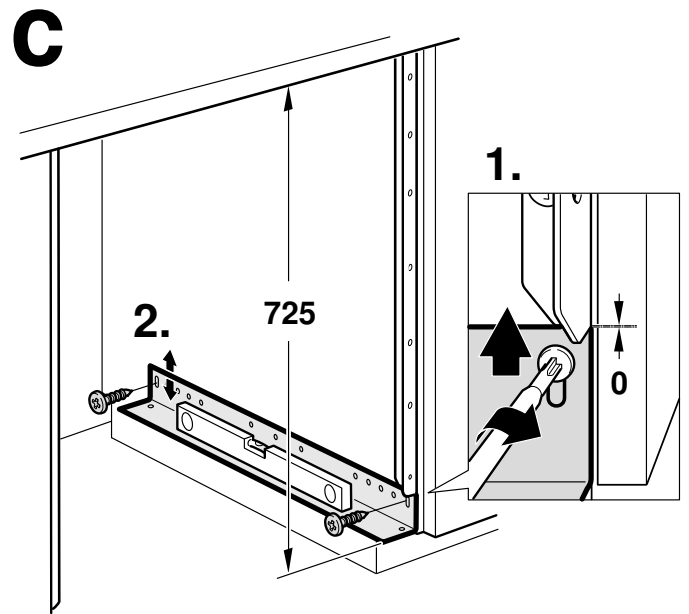
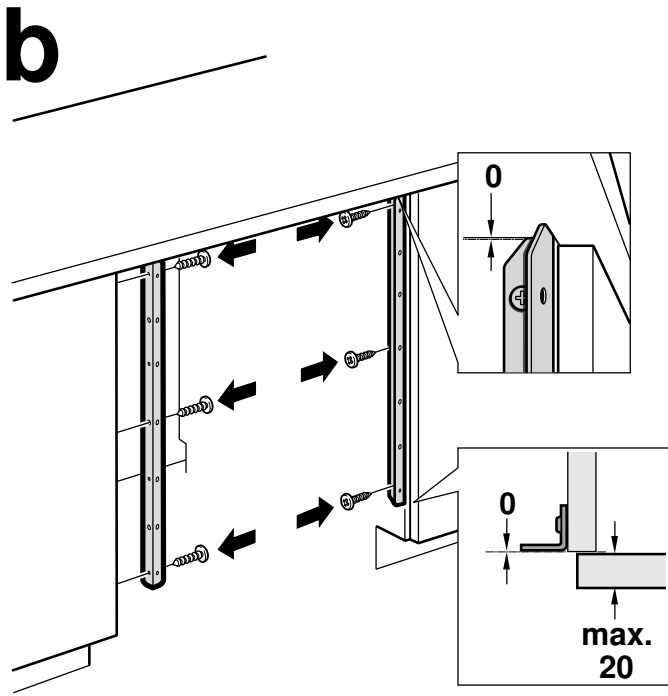


2






a

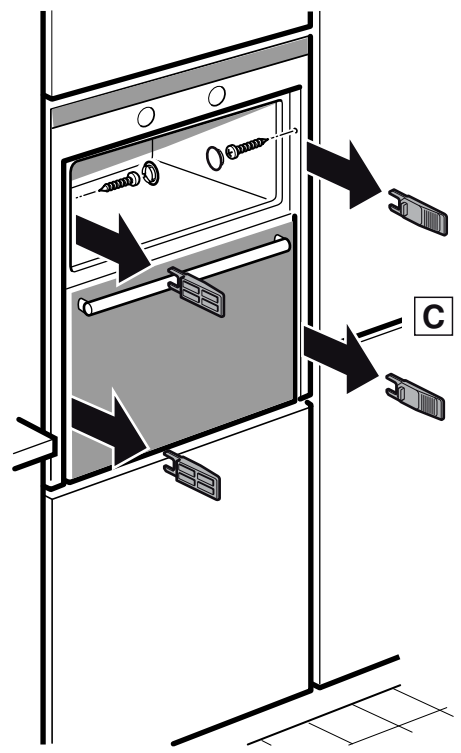
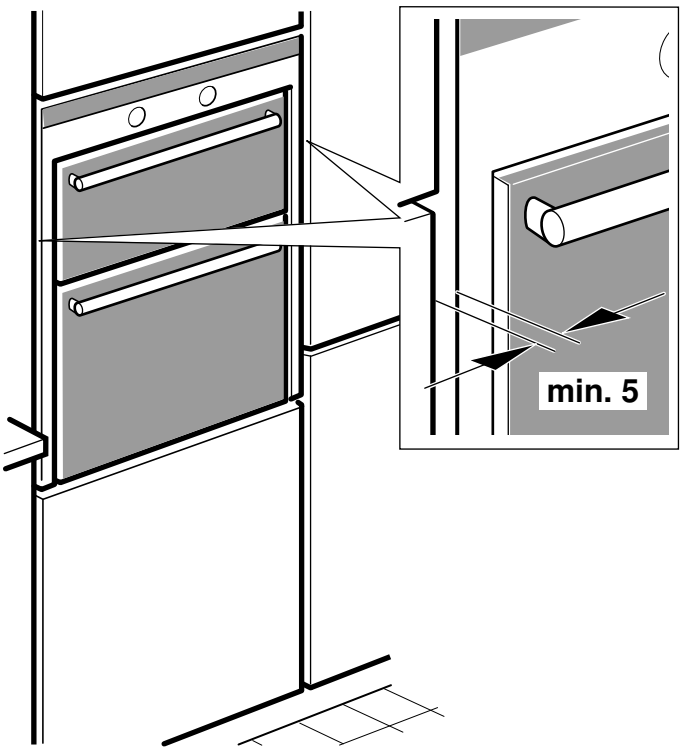
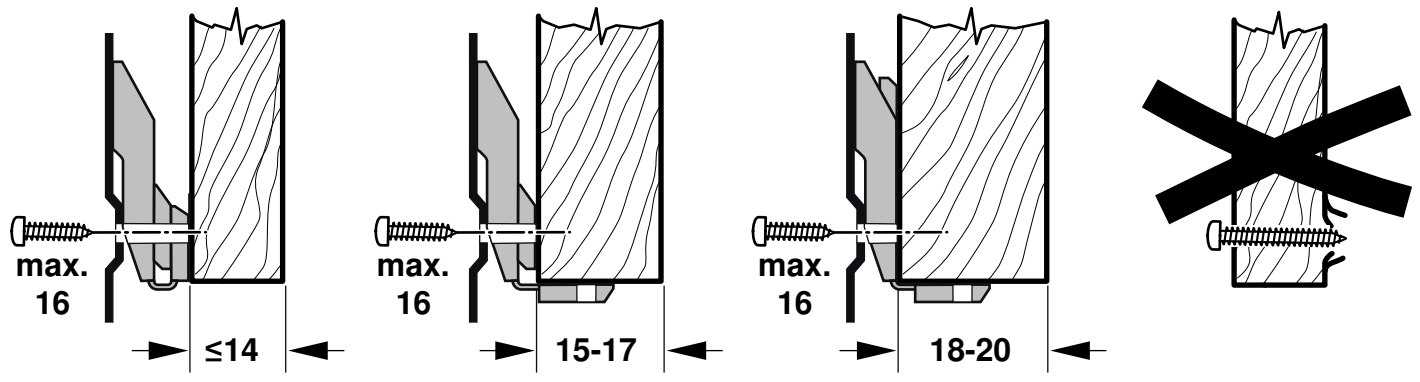
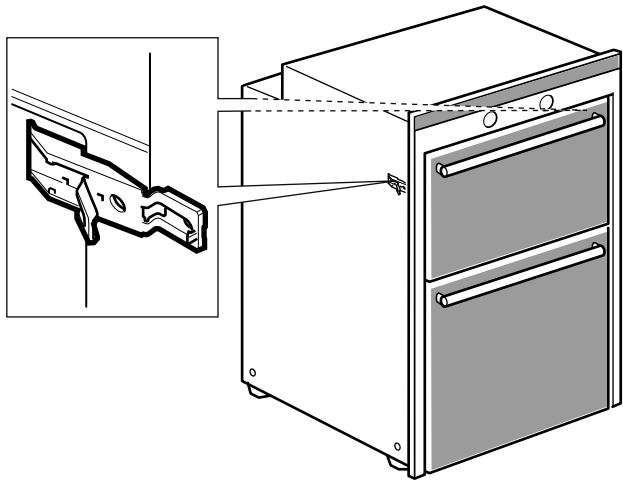




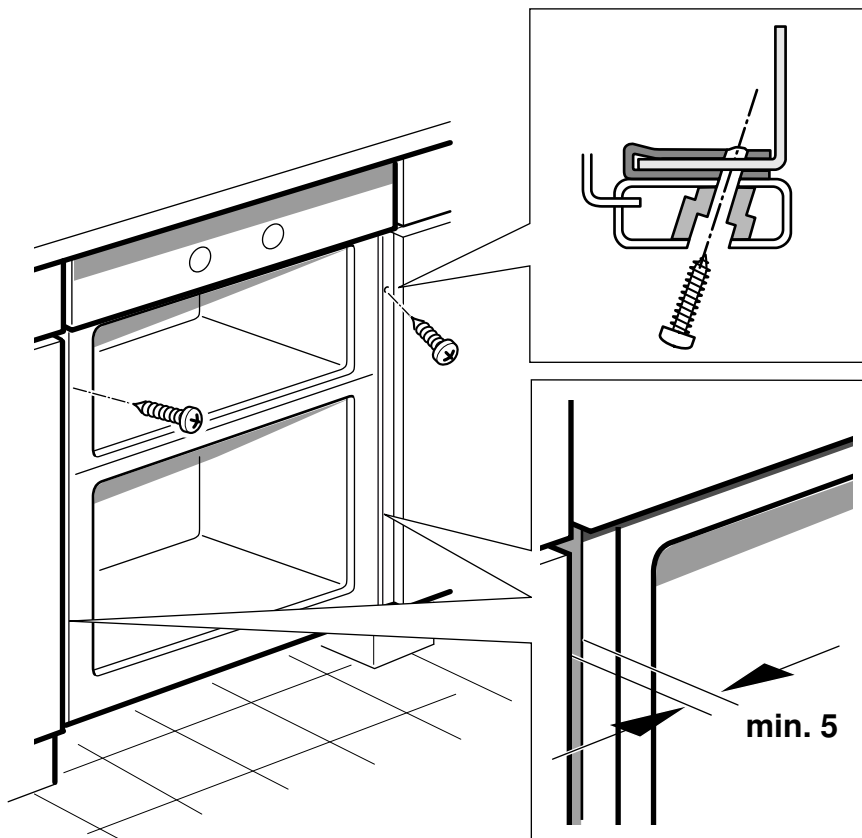
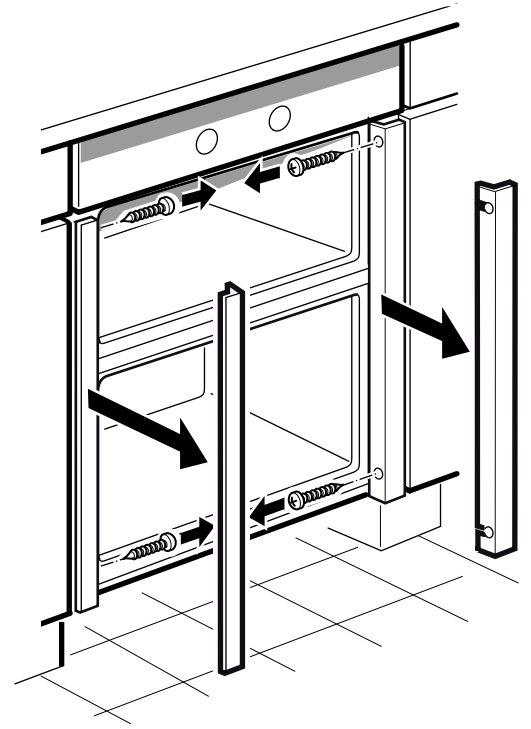
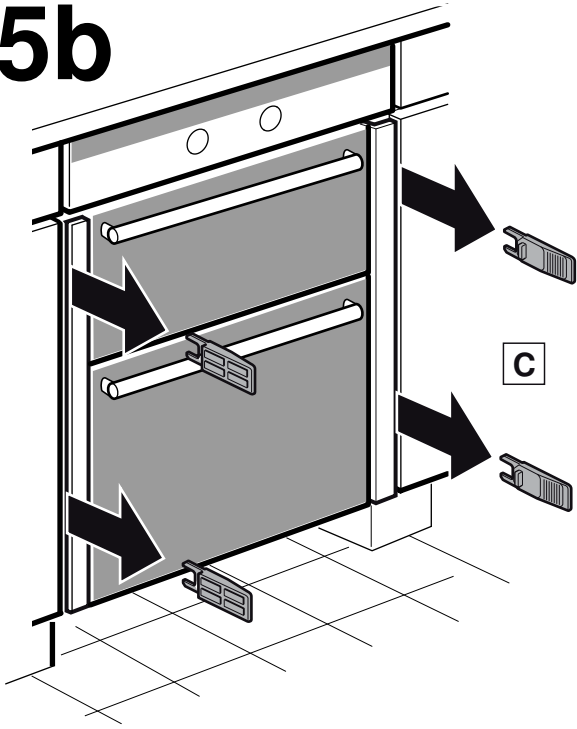
# 4

220-240V~			
-----------	---	---	---

# 5a



# 5b



## Important notes

This appliance is intended for use up to a maximum height of 2000 metres above sea level.

If the appliance is being installed under a hob, refer to the assembly instructions for the hob.

For installation under an induction hob, the work surface thickness must be min. 50 mm.

Do not use the door handle to carry or install the appliance.

Before installation, check the appliance for transportation damage.

Before starting up the appliance, remove any packaging material and adhesive film from the cooking compartment and the door.

The appliance must be disconnected from the power supply during all installation work.

## Preparing the kitchen units

Safe use of this appliance can only be guaranteed if it has been installed professionally in accordance with these installation instructions. The installer is liable for damages incurred as a result of incorrect installation.

Do not install the appliance behind a decorative panel. There is a risk of overheating.

Units into which ovens are to be fitted must be heat-resistant up to 90 °C and adjacent cabinets up to 70 °C.

Carry out all cut-out work on the furniture unit and worktop before fitting the appliances. Remove shavings. Otherwise, the correct operation of electrical components may be adversely affected.

Caution during installation. Parts that are accessible during installation may have sharp edges. Wear protective gloves to prevent injury from cuts.

Secure freestanding units to the wall using standard, commercially available brackets **A**.

Permanently fix furniture units to the worktop.

### Appliance in a tall unit - Fig. 1

To ventilate the appliance, there must be a gap of 20 mm between all intermediate floors and the wall.

Only fit the appliance up to a height which allows accessories to be easily removed.

Before installation, remove the mounting angles from the rear panel of the appliance.

### Appliance underneath a worktop without furniture units - Figure 2

The gap between the worktop and the appliance must not be closed using additional battens.

Screw on the mounting angles and support rails flush with the furniture unit. Align the support rails horizontally.

### Corner installation - Figure 3

For corner installation, check minimum clearances. Ensure that there is sufficient clearance **B** for the front panel and its handles. Check that the appliance door can be opened properly.

## Connecting the appliance to the power supply

Only a licensed professional may connect the appliance.

The fuse protection must correspond to the power rating specified on the appliance's rating plate and to local regulations.

The appliance corresponds to safety class I and may only be operated in conjunction with a safety earth terminal.

Power cord: Type H05 V V-F or a higher rating. The yellow-green wire for the safety earth terminal must be 10 mm longer on the appliance side than the other wires.

In the installation, there must be an all-pin isolating switch with at least 3 mm contact gap, or the appliance must be connected using a plug with an earthing contact. This must remain accessible after installation.

Contact protection must be ensured by the method of installation.

Identify the phase and neutral (zero) conductors in the power socket. The appliance could be damaged if incorrectly connected.

Connect the appliance only according to the connection diagram - Figure 4.

To connect the appliance, place it in front of the kitchen unit. The service cable must be long enough.

## Fitting the appliance in a tall unit - Fig. 5a

1. Depending on the wall thickness of the furniture unit, the plastic spacers on the appliance will have to be folded. The screws must not pierce the walls of the furniture unit.
2. Fully insert the appliance. Do not kink or trap the power cable, or route it over sharp edges.
3. Centre the appliance.  
There must be an air gap of 5 mm between the appliance and adjacent cabinets.
4. Using a spirit level, adjust the appliance so that it is perfectly level.
5. Remove the left-hand and right-hand transport braces **C**.
6. Fasten the appliance in place and fit the screw covers.

## Fitting the appliance underneath a worktop - Fig. 5b

1. Fully insert the appliance. Do not kink or trap the power cable, or route it over sharp edges.
2. Open the doors and remove the left-hand and right-hand transport braces **C**.
3. Remove the two appliance doors, as described in the operating manual.
4. Unscrew the left and right-hand fascia panels.
5. Centre the appliance.  
There must be an air gap of 5 mm between the appliance and adjacent cabinets.
6. Using a spirit level, adjust the appliance so that it is perfectly level.
7. If fitted underneath a worktop, screw the appliance in place using the metal screws provided in the bag.
8. Screw the left and right-hand fascia panels back into place and refit the doors.

## Removal

1. Disconnect the appliance from the power supply.
2. Undo the securing screws.
3. Lift the appliance slightly and pull it out completely.