



Extractor hood

[en]

D65IEE1S0, D85IEE1S0, D65IEE1S0B, D85IEE1S0B



# Table of contents

**Safety** ..... 2

**Preventing material damage** ..... 4

**Environmental protection and saving energy** ..... 4

**Operating modes** ..... 5

**Familiarising yourself with your appliance** ..... 6

**Before using for the first time** ..... 6

**Basic operation** ..... 6

**Cleaning and servicing** ..... 6

**Troubleshooting** ..... 7

**Customer Service** ..... 8

**Accessories** ..... 8

**Disposal** ..... 9

**Installation instructions** ..... 10

## Safety

Please read the safety information to ensure that you use the appliance safely.

### General information

You can find general information about this instruction manual here.

- Read this instruction manual carefully. Only this will ensure you use the appliance safely and efficiently.
- This manual is intended for the installer and the user of the appliance.
- Follow the safety instructions and warnings.
- Keep the instruction manual and the product information safe for future reference or for the next owner.
- Check the appliance after unpacking it. Do not connect the appliance if it has been damaged in transit.

### Intended use

Read the information on intended use to ensure that you use the appliance correctly and safely.

The appliance can only be used safely if it is correctly installed according to the safety instructions. The installer is responsible for ensuring that the appliance works perfectly at its installation location.

Only use this appliance:

- In accordance with these instructions for installation and use.
- In private households and in enclosed spaces in a domestic environment.
- Up to an altitude of max. 4000 m above sea level.

Do not use the appliance:

- With an external timer.

### Restriction on user group

Avoid risks to children and vulnerable persons.

This appliance may be used by children aged 8 or over and by people who have reduced physical, sensory or mental abilities or inadequate experience and/or knowledge, provided that they are supervised or have been instructed on how to use the appliance safely and have understood the resulting dangers.

Children must not play with the appliance. Children must not perform cleaning or user maintenance unless they are at least 15 years old and are being supervised.

Keep children under the age of 8 years away from the appliance and power cable.

### Safe use

Follow these safety instructions when using the appliance.

#### **WARNING – Risk of suffocation!**

Children may put packaging material over their heads or wrap themselves up in it and suffocate.

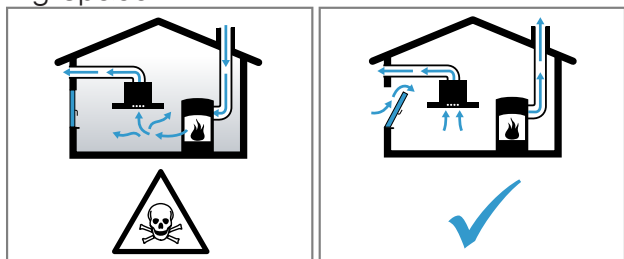
- ▶ Keep packaging material away from children.
- ▶ Do not let children play with packaging material.

#### **WARNING – Risk of poisoning!**

Risk of poisoning from flue gases being drawn back in. Room-air-dependent heat-producing appliances (e.g. gas, oil, wood or coal-operated heaters, continuous flow heaters or water heaters) obtain combustion air from the room in which they are installed and discharge the exhaust gases into the open through an exhaust gas system (e.g. a chimney). With the extractor hood switched on, air is extracted from the kitchen and the adjacent rooms.

Without an adequate supply of air, the air pressure falls below atmospheric pres-

sure. Toxic gases from the flue or the extraction shaft are sucked back into the living space.



- ▶ Always ensure adequate fresh air in the room if the appliance is being operated in exhaust air mode at the same time as a room air-dependent heat-producing appliance is being operated.
- ▶ It is only possible to safely operate the appliance if the pressure in the room in which the heating appliance is installed does not drop more than 4 Pa (0.04 mbar) below atmospheric pressure. This can be achieved whenever the air needed for combustion is able to enter through openings that cannot be sealed, for example in doors, windows, in conjunction with incoming/exhaust air wall boxes or by other technical means. An incoming/exhaust air wall box alone does not ensure compliance with the limit.
- ▶ In any case, consult your responsible chimney sweep. They are able to assess the house's entire ventilation setup and will suggest the suitable ventilation measures to you.
- ▶ Unrestricted operation is possible if the appliance is operated exclusively in air recirculation mode.

#### **⚠ WARNING – Risk of fire!**

- Fatty deposits in the grease filters may catch fire.
  - ▶ Never operate the appliance without a grease filter.
  - ▶ Clean the grease filters regularly.
  - ▶ Never work with naked flames close to the appliance (e.g. flambéing).
  - ▶ Do not install the appliance near a solid fuel heating appliance (e.g. wood- or coal-burning) unless the heating appliance has a sealed, non-removable cover. There must be no flying sparks.
- Hot oil or grease ignites very quickly.
  - ▶ Always supervise hot oil and fat.

- ▶ Never extinguish burning oil or fat with water. Switch off the cooking zone. Extinguish flames carefully using a lid, fire blanket or something similar.

- When gas burners are in operation without any cookware placed on them, they can build up a lot of heat. A ventilation appliance installed above the cooker may become damaged or catch fire.
  - ▶ Only operate the gas burners with cookware on them.
- Operating multiple gas hobs at the same time generates a great deal of heat. A ventilation appliance installed above the cooker may become damaged or catch fire.
  - ▶ Only operate the gas hobs with cookware on them.
  - ▶ Select the highest fan setting.
  - ▶ Never operate two gas hobs simultaneously on the highest flame for longer than 15 minutes. Two gas hobs correspond to one large burner.
  - ▶ Never operate large burners of more than 5 kW with the highest flame for longer than 15 minutes, e.g. a wok.

#### **⚠ WARNING – Risk of burns!**

- The accessible parts of the appliance become hot during operation.
  - ▶ Never touch these hot parts.
  - ▶ Keep children at a safe distance.
- The appliance will become hot during operation.
  - ▶ Allow the appliance to cool down before cleaning it.

#### **⚠ WARNING – Risk of injury!**

- Components inside the appliance may have sharp edges.
  - ▶ Carefully clean the appliance interior.
- Items placed on the appliance may fall off.
  - ▶ Do not place any objects on the appliance.
- Changes to the electrical or mechanical assembly are dangerous and may lead to malfunctions.
  - ▶ Do not make any changes to the electrical or mechanical assembly.
- The filter cover may swing out.
  - ▶ Open the filter cover slowly.
  - ▶ Take hold of the filter cover after opening until it no longer swings out.

- ▶ Close the filter cover slowly.
- Risk of injury when opening and closing the hinges.
  - ▶ Keep your hands away from the hinges.
- The light emitted by LED lights is very dazzling, and can damage the eyes (risk group 1).
  - ▶ Do not look directly into the switched-on LED lights for longer than 100 seconds.

**⚠ WARNING – Risk of electric shock!**

- If the appliance or the power cord is damaged, this is dangerous.
  - ▶ Never operate a damaged appliance.
  - ▶ Never pull on the power cord to unplug the appliance. Always unplug the appliance at the mains.
  - ▶ If the appliance or the power cord is damaged, immediately unplug the power cord or switch off the fuse in the fuse box.
  - ▶ "Call Customer Service." → *Page 8*
  - ▶ Repairs to the appliance should only be carried out by trained specialist staff.

- Improper repairs are dangerous.
  - ▶ Repairs to the appliance should only be carried out by trained specialist staff.
  - ▶ Only use genuine spare parts when repairing the appliance.
  - ▶ If the power cord of this appliance is damaged, it must be replaced by trained specialist staff.
- An ingress of moisture can cause an electric shock.
  - ▶ Before cleaning, pull out the mains plug or switch off the fuse in the fuse box.
  - ▶ Do not use steam- or high-pressure cleaners to clean the appliance.

**⚠ WARNING – Risk of explosion!**

- Highly caustic alkaline or highly acidic cleaning agents in conjunction with aluminium parts in the interior of the appliance may cause explosions.
- ▶ Never use highly caustic alkaline or highly acidic cleaning agents. In particular, do not use commercial or industrial cleaning agents in conjunction with aluminium parts, e.g. grease filter on extractor hoods.

---

## Preventing material damage

Follow these instructions to prevent material damage to your appliance, accessories or other objects in your kitchen.

### General

Follow these instructions when using the appliance.

#### ATTENTION!

- Condensate may cause corrosion damage.
  - ▶ To prevent condensation from building up, switch on the appliance during cooking.
- If moisture gets into the controls, this may result in damage.
  - ▶ Never clean controls with a wet cloth.
- Incorrect cleaning damages the surfaces.
  - ▶ Follow the cleaning instructions.

- ▶ Do not use harsh or abrasive detergents.
- ▶ Clean stainless steel surfaces in the direction of the finish only.
- ▶ Never clean controls with stainless steel cleaners.
- Condensation that flows back in may damage the appliance.
  - ▶ The air extraction duct must be installed with a gradient of at least 1° from the appliance.
- If you put incorrect stress on the design elements, they may break off.
  - ▶ Do not pull design elements.
  - ▶ Do not place objects on the design elements or hang objects from them.

---

## Environmental protection and saving energy

Help protect the environment by using your appliance in a way that conserves resources and by disposing of reusable materials properly.

### Disposing of packaging

The packaging materials are environmentally compatible and can be recycled.

- ▶ Sort the individual components by type and dispose of them separately. Information about current disposal methods are available from your specialist dealer or local authority.

---

## Operating modes

### Air extraction mode

The air which is drawn in is cleaned by the grease filters and conveyed to the exterior by a pipe system.



The air must not be discharged into a flue that is used for exhausting fumes from appliances burning gas or other fuels (not applicable to appliances that only discharge the air back into the room).

- If the exhaust air is to be conveyed into a non-functioning smoke or exhaust gas flue, you must obtain the consent of the heating engineer responsible.
  - If the exhaust air is conveyed through the external wall, a telescopic duct should be used.
- 

### Air recirculation mode

The air which is drawn in is cleaned by the grease filters and an odour filter, and conveyed back into the room.



To bind odours in circulating-air mode, you must install an odour filter. The different options for operating the appliance in circulating-air mode can be found in our catalogue. Alternatively, ask your dealer. The required accessories are available from specialist retailers, from customer service or from the Online Shop.

---

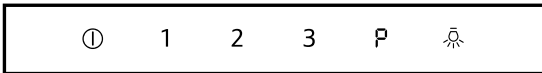
---

## Familiarising yourself with your appliance

Familiarise yourself with the parts of your appliance.

### Controls

The controls are used to configure all functions of your appliance and to obtain information about the operating status.



ⓘ	Switch the appliance on or off
1	Switches on fan setting 1.
2	Switches fan setting 2 on.
3	Switches on fan setting 3.
P	Switches intensive mode on or off.
💡	Switch the lighting on or off

---

## Before using for the first time

Configure the settings for initial start-up. Clean the appliance and accessories.

---

## Basic operation

You can find out everything you need to know about operating your appliance here.

### Switching on the appliance

- ▶ Press ⓘ to switch on the appliance.
- ✓ The appliance starts at fan setting 2.

### Switching off the appliance

- Switch the appliance off when you are not using it.
- ▶ Press ⓘ to switch the appliance off.
  - ✓ The appliance switches off. Any functions currently in progress are cancelled.

### Selecting a fan setting

- ▶ Press 1, 2 or 3 to adjust the fan setting.

### Switching on intensive mode

If particularly strong odours or vapours develop, you can use intensive mode.

- ▶ Press P.
- ✓ After approx. 6 minutes, the appliance automatically switches to fan setting 3.

### Switching off intensive mode

- ▶ Press P.
- ✓ Intensive mode is ended early.

### Switching on the lighting

The lighting can be switched on or off independently of the ventilation.

- ▶ Press 💡.

### Switching off the lighting

- ▶ Switch off the lighting with 💡.

---

## Cleaning and servicing

To keep your appliance working efficiently for a long time, it is important to clean and maintain it carefully.

### Cleaning the stainless steel surfaces

1. Observe the information regarding the cleaning agents.
2. Clean using a sponge cloth and hot soapy water in the direction of the finish.
3. Dry with a soft cloth.
4. Apply a thin layer of the stainless steel cleaning product with a soft cloth.

**Tip:** You can obtain stainless steel cleaning products from after-sales service or the online shop.

### Cleaning painted surfaces

1. Observe the information regarding the cleaning agents.
2. Clean using a sponge cloth and hot soapy water in the direction of the finish.
3. Dry with a soft cloth.

### Cleaning aluminium

1. Observe the information regarding the cleaning agents.
2. Clean with a soft cloth and glass cleaner.

### Cleaning plastic

1. Observe the information regarding the cleaning agents.
2. Clean with a soft cloth and glass cleaner.

## Cleaning glass

1. Observe the information regarding the cleaning agents.
2. Clean with a soft cloth and glass cleaner.

## Cleaning controls

### **WARNING – Risk of electric shock!**

Penetrating moisture may cause an electric shock.

- ▶ Do not use wet sponge cloths.
1. Observe the information regarding the cleaning agents.
  2. Clean using a damp sponge cloth and hot soapy water.
  3. Dry with a soft cloth.

## Cleaning the filter cover

### Note

- Do not remove the filter cover.
  - Do not clean the filter cover in the dishwasher.
1. Observe the information regarding the cleaning agents.
  2. Clean with a soft cloth and glass cleaner.

## Removing the grease filter

### **WARNING – Risk of injury!**

The filter cover may swing out.

- ▶ Open the filter cover slowly.
  - ▶ Take hold of the filter cover after opening until it no longer swings out.
  - ▶ Close the filter cover slowly.
1. Open the filter cover.
  2. **ATTENTION!** Falling grease filters may damage the hob below.
    - ▶ Grip below the grease filter with one hand. Open the locks on the grease filters.
  3. Remove the grease filters from the holders. To prevent grease from dripping, hold the grease filter horizontally.

## Cleaning grease filters manually

The grease filters filter the grease from the cooking vapour. Regularly cleaned grease filters guarantee a high level of grease removal.

### **WARNING – Risk of fire!**

Fatty deposits in the grease filters may catch fire.

- ▶ Clean the grease filters regularly.

**Requirement:** The grease filters have been removed.

1. Observe the information regarding the cleaning agents.
2. Soak the grease filter in hot soapy water. Use special grease solvent for stubborn dirt. You can obtain grease solvents from after-sales service or the online shop.
3. Use a brush to clean the grease filters.
4. Rinse the grease filters thoroughly.
5. Allow the grease filters to drain.

## Cleaning grease filters in the dishwasher

The grease filters filter the grease from the cooking vapour. Regularly cleaned grease filters guarantee a high level of grease removal.

### **WARNING – Risk of fire!**

Fatty deposits in the grease filters may catch fire.

- ▶ Clean the grease filters regularly.

### **ATTENTION!**

The grease filters may become damaged if they are squeezed.

- ▶ Do not squeeze the grease filters.

**Note:** When cleaning the grease filter in the dishwasher, light discolouration may occur. This discolouration has no effect on the performance of the metal grease filters.

**Requirement:** The grease filters have been removed.

1. Observe the information regarding the cleaning agents.
2. Place the grease filters loosely into the dishwasher. Do not clean heavily soiled grease filters with utensils. Use special grease solvent for stubborn dirt. You can obtain grease solvents from after-sales service or the online shop.
3. Start the dishwasher. Select a temperature of no more than 70 °C.
4. Allow the grease filters to drain.

## Fitting grease filters

### **ATTENTION!**

Falling grease filters may damage the hob below.

- ▶ Grip below the grease filter with one hand.
1. Fit the grease filters.
  2. Fold the grease filters upwards and engage the locks.
  3. Make sure that the locks engage.
  4. Close the filter cover.

# Troubleshooting

You can rectify minor faults on your appliance yourself. Read the troubleshooting information before contacting after-sales service. This will avoid unnecessary costs.

### **WARNING – Risk of injury!**

Improper repairs are dangerous.

- ▶ Repairs to the appliance should only be carried out by trained specialist staff.
- ▶ If the appliance is defective, call Customer Service.

### **WARNING – Risk of electric shock!**

Improper repairs are dangerous.

- ▶ Repairs to the appliance should only be carried out by trained specialist staff.
- ▶ Only use genuine spare parts when repairing the appliance.
- ▶ If the power cord of this appliance is damaged, it must be replaced by trained specialist staff.



## Malfunctions

Fault	Cause	troubleshooting
The appliance is not working.	The mains plug of the power cord is not plugged in.	▶ Connect the appliance to the power supply.
	There has been a power cut.	▶ Check whether the lighting in your kitchen or other appliances are working.
	The circuit breaker is faulty.	▶ Check the circuit breaker in the fuse box.
The button illumination does not work.	The control unit is faulty.	▶ Call the after-sales service. → "Customer Service", Page 8
The lighting does not work.	Different causes are possible.	▶ Call the after-sales service. → "Customer Service", Page 8
		▶ Defective LED lights may be replaced by the manufacturer, their customer service or a qualified technician (electrician) only.

## Customer Service

If you have any queries on use, are unable to rectify faults on the appliance yourself or if your appliance needs to be repaired, contact Customer Service. You can solve many problems yourself by consulting the information on troubleshooting in these instructions or on our website. If this is not the case, contact our after-sales service.

We will always find an appropriate solution and try to avoid unnecessary visits being made by a Customer Service technician.

With any warranty claims, we will make sure that your appliance is repaired by trained after-sales technicians using genuine spare parts, including after the manufacturer's warranty has expired.

Function-relevant genuine spare parts according to the corresponding Ecodesign Order can be obtained from Customer Service for a period of at least 10 years from the date on which your appliance was placed on the market within the European Economic Area.

**Note:** Under the terms of the manufacturer's warranty the use of Customer Service is free of charge.

Detailed information on the warranty period and terms of warranty in your country is available from our after-sales service, your retailer or on our website.

If you contact Customer Service, you will require the product number (E-Nr.) and the production number (FD) of your appliance.

The contact details for Customer Service can be found in the enclosed Customer Service directory or on our website.

### Product number (E-Nr.) and production number (FD)

You can find the product number (E-Nr.) and the production number (FD) on the appliance's rating plate. Depending on the model, the rating plate can be found:

- Inside the appliance (remove grease filters for access).
- On top of the appliance.

Make a note of your appliance's details and the Customer Service telephone number to find them again quickly.

## Accessories

Only use original accessories. These have been made especially for your appliance. Here you can find an overview of your appliance's accessories and how to use them.

accessories	Order number
Starter set for air recirculation mode	Z51EIU1X1
Easy-change filter for circulating-air mode – cannot be regenerated	Z5138X1
CleanAir recirculation module with easy-change filter – cannot be regenerated, stainless steel	Z51FXC1N6

accessories	Order number
Odour filter for the CleanAir recirculation module, can be regenerated	Z50XXP0X0
Clean Air Plus air recirculation set	Z51DXI1X6
Clean Air Plus odour filter (replacement is required)	Z53XXB1X6
LongLife air recirculation set	Z51FXJ0X0



---

## Disposal

Find out here how to dispose of old appliances correctly.

### Disposing of old appliance

Valuable raw materials can be reused by recycling.

1. Unplug the appliance from the mains.
2. Cut through the power cord.
3. Dispose of the appliance in an environmentally friendly manner.



This appliance is labelled in accordance with European Directive 2012/19/EU concerning used electrical and electronic appliances (waste electrical and electronic equipment - WEEE).

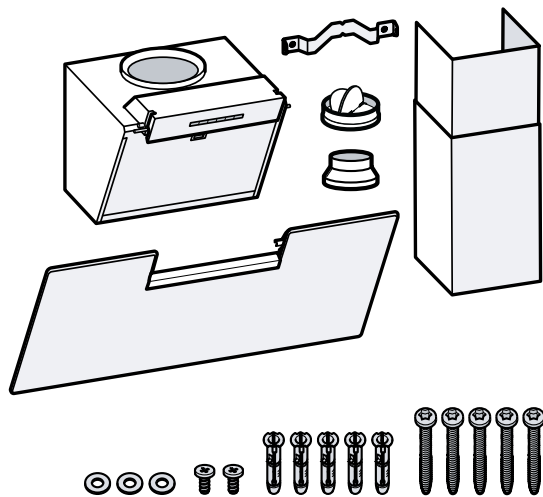
The guideline determines the framework for the return and recycling of used appliances as applicable throughout the EU.

---

## Installation instructions

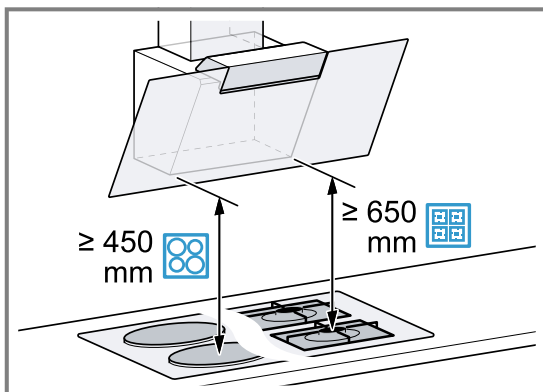
### Included with the appliance

After unpacking all parts, check for any transport damage and for completeness of delivery.



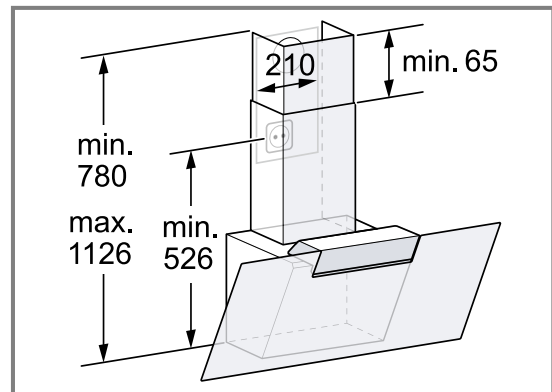
### Safety clearances

Comply with the safety clearances for the appliance.



### Dimensions

You will find the dimensions of the appliance here



### Instructions for the electrical connection

In order to be able to safely connect the appliance to the electrical system, follow these instructions.

#### **⚠ WARNING – Risk of electric shock!**

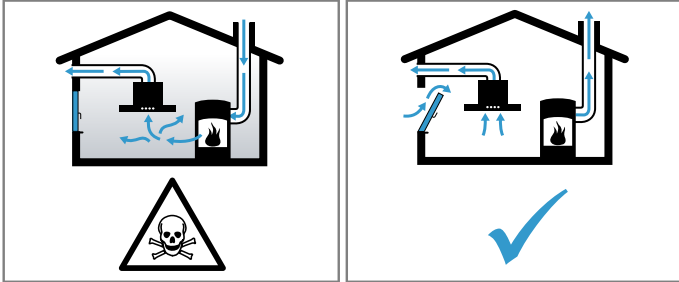
- It must always be possible to disconnect the appliance from the electricity supply. The appliance must only be connected to a protective contact socket that has been correctly installed.
  - ▶ The mains plug for the mains power cable must be easily accessible after the appliance is installed.
  - ▶ If this is not possible, an all-pole isolating switch must be integrated into the permanent electrical installation according to the conditions of over-voltage category III and according to the installation regulations.
  - ▶ The permanent electrical installation must only be wired by a professional electrician. We recommend installing a residual-current circuit breaker (RCCB) in the appliance's power supply circuit.
- Sharp-edged components inside the appliance may damage the connecting cable.
  - ▶ Do not kink or trap the connecting cable.
- The connection data can be found on the rating plate inside the appliance.
- To see the rating plate, remove the grease filter.
- The connecting cable is approx. 1.30 m long.
- This appliance complies with the EC interference suppression regulations.
- The appliance corresponds to protection class 1. Therefore, only use the appliance with a protective earth connection.
- Do not connect the appliance to the power supply during installation.
- Ensure that the protection against contact is guaranteed during installation.

#### **⚠ Secure installation**

Follow these safety instructions when installing the appliance.

**⚠ WARNING – Risk of poisoning!**

Risk of poisoning from flue gases being drawn back in. Room-air-dependent heat-producing appliances (e.g. gas, oil, wood or coal-operated heaters, continuous flow heaters or water heaters) obtain combustion air from the room in which they are installed and discharge the exhaust gases into the open through an exhaust gas system (e.g. a chimney). With the extractor hood switched on, air is extracted from the kitchen and the adjacent rooms. Without an adequate supply of air, the air pressure falls below atmospheric pressure. Toxic gases from the flue or the extraction shaft are sucked back into the living space.



- ▶ Always ensure adequate fresh air in the room if the appliance is being operated in exhaust air mode at the same time as a room air-dependent heat-producing appliance is being operated.
- ▶ It is only possible to safely operate the appliance if the pressure in the room in which the heating appliance is installed does not drop more than 4 Pa (0.04 mbar) below atmospheric pressure. This can be achieved whenever the air needed for combustion is able to enter through openings that cannot be sealed, for example in doors, windows, in conjunction with incoming/exhaust air wall boxes or by other technical means. An incoming/exhaust air wall box alone does not ensure compliance with the limit.
- ▶ In any case, consult your responsible chimney sweep. They are able to assess the house's entire ventilation setup and will suggest the suitable ventilation measures to you.
- ▶ Unrestricted operation is possible if the appliance is operated exclusively in air recirculation mode.

**⚠ WARNING – Risk of suffocation!**

Children may put packaging material over their heads or wrap themselves up in it and suffocate.

- ▶ Keep packaging material away from children.
- ▶ Do not let children play with packaging material.

**⚠ WARNING – Risk of fire!**

- Grease deposits in the grease filter may catch fire.
  - ▶ The specified safety clearances must be complied with in order to prevent a build-up of heat.
  - ▶ Observe the specifications for your cooking appliance. If gas and electric hobs are being operated together, the largest specified clearance applies.
  - ▶ The appliance must be installed with no more than one side directly next to a high-sided unit or a wall. The distance between the appliance and wall or high-sided unit must be at least 50 mm.
- Grease deposits in the grease filter may catch fire.
  - ▶ Never work with naked flames close to the appliance (e.g. flambéing).

- ▶ Do not install the appliance near a heat-producing appliance for solid fuel (e.g. wood or coal) unless a closed, non-removable cover is available. There must be no flying sparks.

**⚠ WARNING – Risk of injury!**

- Components inside the appliance may have sharp edges.
  - ▶ Wear protective gloves.
- The appliance may fall down if it has not been properly fastened in place.
  - ▶ All fastening components must be fixed firmly and securely in place.
- Risk of injury from glass splinters.
  - ▶ Protect the filter cover against impact.
  - ▶ Do not drop the filter cover.
  - ▶ Wear protective goggles during installation.
- The appliance is heavy.
  - ▶ To move the appliance, two people are required.
  - ▶ Use only suitable tools and equipment.
- The appliance is heavy.
  - ▶ The appliance must not be fitted directly onto plasterboard or similar lightweight materials.
  - ▶ To ensure correct installation, you must use a material which is sufficiently stable and suitable for both the structural conditions and the weight of the appliance.
- Changes to the electrical or mechanical assembly are dangerous and may lead to malfunctions.
  - ▶ Do not make any changes to the electrical or mechanical assembly.
- The filter cover may swing out.
  - ▶ Open the filter cover slowly.
  - ▶ Take hold of the filter cover after opening until it no longer swings out.
  - ▶ Close the filter cover slowly.
- Risk of injury when opening and closing the hinges.
  - ▶ Keep your hands away from the hinges.

**⚠ WARNING – Risk of electric shock!**

- Sharp-edged components inside the appliance may damage the connecting cable.
  - ▶ Do not kink or trap the connecting cable.
- If the appliance or the power cord is damaged, this is dangerous.
  - ▶ Never operate a damaged appliance.
  - ▶ Never pull on the power cord to unplug the appliance. Always unplug the appliance at the mains.
  - ▶ If the appliance or the power cord is damaged, immediately unplug the power cord or switch off the fuse in the fuse box.
  - ▶ "Call Customer Service." → Page 8
  - ▶ Repairs to the appliance should only be carried out by trained specialist staff.
- Improper repairs are dangerous.
  - ▶ Repairs to the appliance should only be carried out by trained specialist staff.
  - ▶ Only use genuine spare parts when repairing the appliance.
  - ▶ If the power cord of this appliance is damaged, it must be replaced by trained specialist staff.
- Improper installation is dangerous.
  - ▶ Connect and operate the appliance only in accordance with the specifications on the rating plate.



- ▶ Connect the appliance to a power supply with alternating current only via a properly installed socket with earthing.
- ▶ The protective conductor system of the domestic electrical installation must be properly installed.
- ▶ Never equip the appliance with an external switching device, e.g. a timer or remote control.
- ▶ When the appliance is installed, the mains plug of the power cord must be freely accessible. If free access is not possible, an all-pole isolating switch must be installed in the permanent electrical installation according to the conditions of Overvoltage Category III and according to the installation regulations.
- ▶ When installing the appliance, check that the power cable is not trapped or damaged.

### Information on the installation situation

- Install this appliance on the kitchen wall.

### Instructions for the exhaust air pipe

The appliance manufacturer does not provide any warranty for faults attributable to the pipeline.

- Use a short, straight exhaust air pipe with as large a pipe diameter as possible.
- Long, rough exhaust air pipes, many pipe bends or small pipe diameters reduce the suction power and increase the fan noise.
- An exhaust air pipe that is made of non-combustible material.
- To prevent condensate from returning, fit the exhaust air pipe from the appliance with a 1° gradient.

### Round pipes

Use round pipes with an inner diameter of 150 mm (recommended) or at least 120 mm.

### Flat ducts

Use flat ducts with an inner cross-section that corresponds to the diameter of the round pipes:

- Diameter of 150 mm corresponds to approx. 177 cm<sup>2</sup>.
- Diameter of 120 mm corresponds to approx. 113 cm<sup>2</sup>.
- Use sealing strips for different pipe diameters.
- Do not use any flat ducts with sharp bends.

### General information

- To optimally detect the cooking vapours, install the appliance in the middle of the hob.
- In order to freely access the appliance for servicing, select an easy-to-reach installation site.
- The surfaces of the appliance are sensitive. Avoid damaging them during installation.

### Installation

#### Preparing the appliance

- ▶ Remove the grease filters.  
To avoid causing damage, do not bend the grease filters.

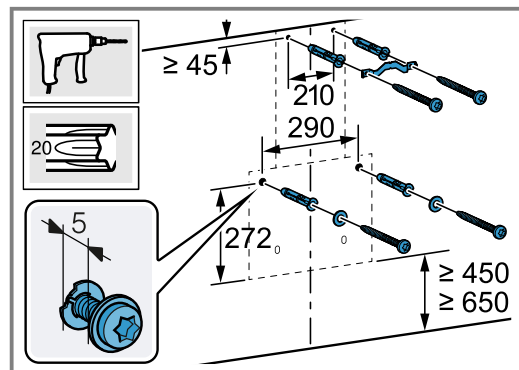
#### Checking the wall

1. Check whether the wall is horizontal and adequately load-bearing.  
The max. weight of the appliance is 25 kg.

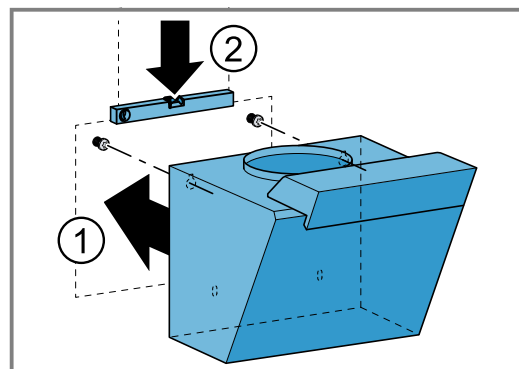
2. Drill the hole depth in accordance with the length of the screws.
3. Install the appliance with a fixing material which is sufficiently stable and has been adjusted accordingly for both the structural conditions and the weight of the appliance.
4. Check the cut-out area for existing cables of other appliances.

#### Preparing the wall

1. Cover the hob to prevent damage.
2. Remove the drilling template.  
The cardboard drilling template is part of the packaging.
3. Mark a vertical centre line on the wall from the ceiling to the lower edge of the appliance.
4. Using the drilling template, measure and mark the positions of the fastening screws.  
The bottom edge of the appliance is identical to the lower edge of the drilling template.
5. Ensure that there are no electrical wires, gas pipes or water pipes in the area where holes are to be drilled.
6. Drill holes with a diameter of 8 mm.
7. Drill the hole depth in accordance with the length of the screws.
8. Insert the wall plugs flush with the wall.
9. Remove the angle bracket for the flue duct.
10. Screw in two fastening screws with washers to approx. 5 mm.



11. Attach and align the appliance.

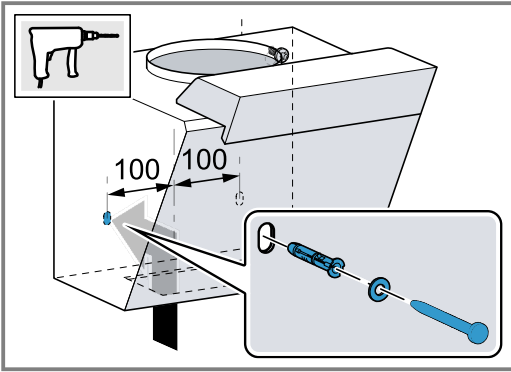


12. Mark the hole for the safety screw.
13. Remove the appliance once more.

#### Attaching the appliance

1. Drill an 8 mm hole for the safety screw.
2. Insert the wall plugs flush with the wall.
3. Attach the appliance.

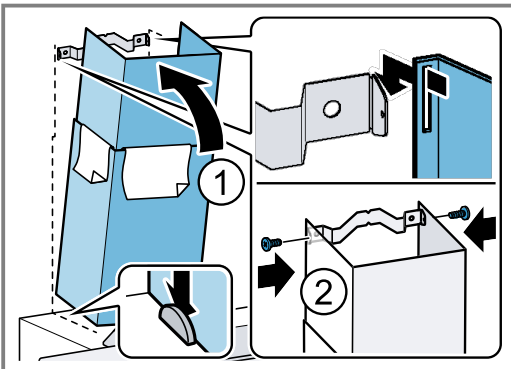
- Screw in the safety screw with the washer.



You can also use the right or left hole opening.

### Fitting the flue duct

- To separate the flue duct sections, remove the adhesive tape.
  - Remove the protective foil from both flue duct sections.
  - Note**
    - To prevent scratches, lay paper over the edges of the outer flue duct section to protect the surface.
    - The slots on the inner flue duct section should point downwards.
- Push one flue duct section into the other.
- Insert the lower flue duct section into the brackets on the left and right on the appliance.
  - Screw the upper flue duct to the sides of the fixing bracket using 2 short screws.



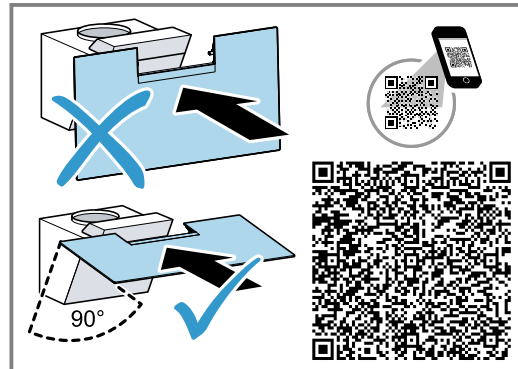
- Fit the grease filters. To avoid causing damage, do not bend the grease filters.

### Fitting the filter cover

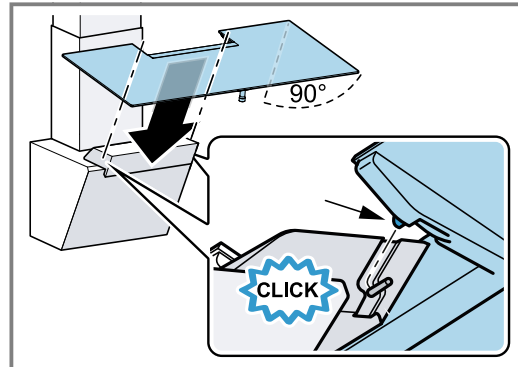
#### **⚠ WARNING – Risk of injury!**

- Components inside the appliance may have sharp edges.
  - Wear protective gloves.
- Risk of injury from glass splinters.
  - Protect the filter cover against impact.
  - Do not drop the filter cover.
  - Wear protective goggles during installation.

- Align the filter cover at an angle of 90° to the appliance.



- Insert the brackets for the filter cover into the openings on the appliance and lock into place.



- Remove the edge protection.



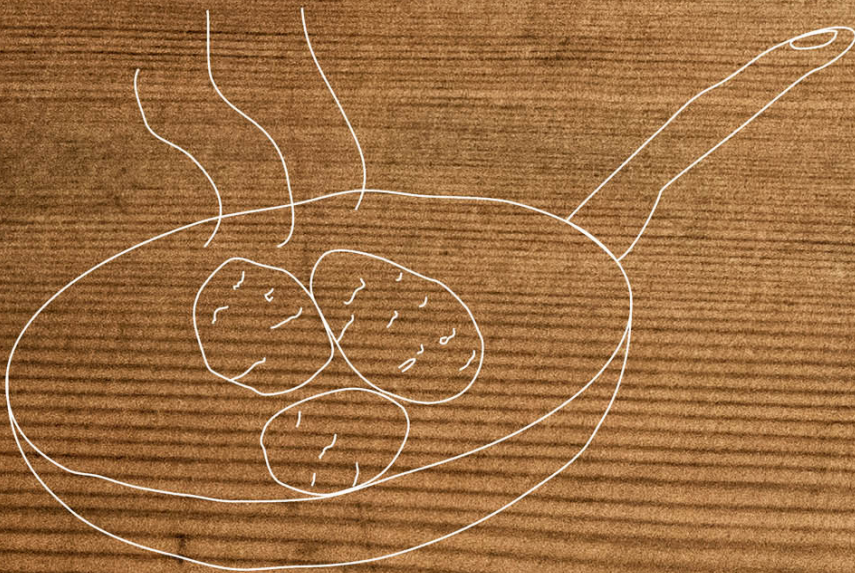
A series of horizontal lines for writing, starting from the top of the page and extending to the bottom. The lines are evenly spaced and cover the majority of the page area.





A series of horizontal lines spanning the width of the page, providing a template for writing.





REGISTER YOUR PRODUCT  
ONLINE [NEFF-HOME.COM](http://NEFF-HOME.COM)

Constructa-Neff Vertriebs-GmbH  
Carl-Wery-Straße 34  
81739 München  
GERMANY



9001471348  
000330  
en