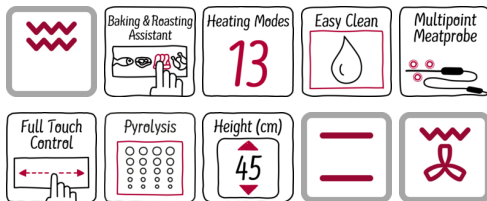


N 90  
 COMPACT OVEN WITH MICROWAVE  
 C28MT27NOB  
 STAINLESS STEEL



Compact built-in oven with integral microwave and MultiPoint roast thermometer - even more ways to cook dishes to perfection, quickly and conveniently

- ✓ Compact oven with microwave - even more ways to cook quickly and conveniently.
- ✓ FullTouch Control - simple, precise oven control by fingertip touch on the smooth surface of the high resolution TFT colour display.
- ✓ Dual cleaning options:
  - ✓ Pyrolytic following heavy use - just let the oven interior clean itself.
  - ✓ EasyClean® - the quick and easy option for day to day maintenance.
- ✓ Modern LED lighting for bright, even illumination.
- ✓ The Multi Point® roast thermometer helps the oven regulate the temperature and automatically adjust the cooking time.
- ✓ Single ComfortFlex® rail- telescopic rail with full extension for one level
- ✓ Hinged door with cushioned opening and closing.



#### Features

##### Technical Data

Type of micro-wave oven : MW-Combi  
 Type of control : Electronic  
 Color / Material Front : Stainless steel  
 Dimensions of the product (mm) : 455 x 596 x 548  
 Cavity dimensions (mm) : 237.0 x 480 x 392.0  
 Length of electrical supply cord (cm) : 150  
 Net weight (kg) : 36.7  
 Gross weight (kg) : 39.0  
 EAN code : 4242004185857  
 Maximum micro-wave power (W) : 900  
 Connection rating (W) : 3600  
 Current (A) : 16  
 Voltage (V) : 220-240  
 Frequency (Hz) : 60; 50  
 Plug type : no plug

#### Optional accessories

Z11SZ60X0 SeamlessCombination 45 + 14cm  
 Z11SZ90X0 SeamlessCombination 60 + 45cm  
 Z18M45X0 Cookbook



4 242004 185857

N 90  
COMPACT OVEN WITH MICROWAVE  
C28MT27NOB  
STAINLESS STEEL

## Features

### Design

- 5.7" TFT colour and graphics display with FullTouch control
- Touch control
- Bar handle

### Features

- Temperature proposal  
Actual temperature display  
Heating up indicator  
automatic programmes:  
Sabbath setting
- Door lock during pyrolytic cleaning  
Control panel lock  
Automatic safety switch off  
Residual heat indicator  
Start button  
Door contact switch
- Baking and roasting assistant, Automatic programmes
- MultiPoint MeatProbe
- Drop down door, SoftClose, soft opening
- LED light
- Cooling fan
- Cavity inner surface: Enamel anthracite

### Cleaning

- Pyrolytic cleaning
- EasyClean

### Programmes/functions

- Rapid heat
- Compact oven with microwave with 13 heating methods: 4D Hot air, CircoTherm® Eco, Top/bottom heat, Conventional heat eco, Hot air grilling, Full surface grill, Centre surface grill, CircoTherm® intensive, Bottom heat, Low temperature cooking, Dough proving, Plate warming, Keep warm
- Additional heating methods with microwave: Microwave, Microwave combination cooking
- Info button

### Standard accessories

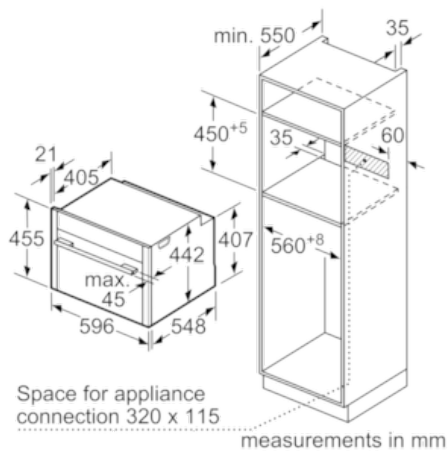
- 1 level telescopic shelf, standard extension, pyrolytic proof
- 2 x combination grid, 1 x universal pan

### Technical information

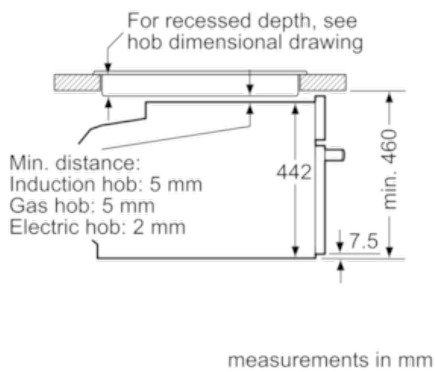
- Cavity volume: 45 litre
- Max. Power: 900 W; 5 Microwave power settings (90 W, 180 W, 360 W, 600 W, 900 W) with Inverter (MW)
- Temperature range 30 °C - 300 °C
- Number of automatic programmes: 14 PC
- Microwave inverter technology
- Intelligent inverter technology: For optimised results maximum output power will be regulated to 600 W when used in longer operation for gentler cooking.
- Length of mains cable: 150 cm
- Total connected load electric: 3.6 KW
- Appliance dimension (hxwx): 455 mm x 596 mm x 548 mm
- Niche dimension (hxwx): 450 mm - 455 mm x 560 mm - 568 mm x 550 mm
- Please refer to the dimensions provided in the installation manual

N 90  
 COMPACT OVEN WITH MICROWAVE  
 C28MT27NOB  
 STAINLESS STEEL

Dimensioned drawings



Installation with a hob.



If the compact appliance will be installed underneath a hob, the following worktop thicknesses (including substructure if necessary) must be taken into account.

Hob type	min. worktop thickness	
	fitted	flush
Induction hob	42 mm	43 mm
Full surface Induction hob	52 mm	53 mm
Gas hob	32 mm	43 mm
Electric hob	32 mm	35 mm