

lenovo

Lenovo Yoga 300

*Hardware
Maintenance
Manual*



Notes:

- Before using this information and the product it supports, be sure to read the general information under “Notices” on page 71.

First Edition (March 2015)

© Copyright Lenovo 2015. All rights reserved.

LIMITED AND RESTRICTED RIGHTS NOTICE: If data or software is delivered pursuant a General Services Administration “GSA” contract, use, reproduction, or disclosure is subject to restrictions set forth in Contract No. GS-35F-05925.

© 2015 Lenovo

Contents

About this manual	iv	1050 LCD unit.....	42
Safety information	1	1060 System board	44
General safety	2	1070 Speakers	47
Electrical safety	3	1080 Power assembly, Touchpad module and IO board.....	48
Safety inspection guide	5	1090 Heat sink assembly	49
Handling devices that are sensitive to electrostatic discharge.....	6	1100 LCD front cover.....	50
Grounding requirements.....	6	1110 LCD panel, LCD cable, and hinges.....	52
Safety notices: multilingual translations.....	7	1120 LCD module.....	54
Laser compliance statement.....	14	1130 Antenna assembly and LCD cover.....	56
Important service information	16	Locations	57
Strategy for replacing FRUs	16	Front view and right-side view	57
Strategy for replacing a hard disk drive	17	Bottom and Left-side view	58
Important notice for replacing a system board	17	Parts list	59
Important information about replacing RoHS compliant FRUs.....	18	Overall	60
General checkout	19	LCD FRUs	65
What to do first	20	Keyboard	67
Power system checkout.....	21	Miscellaneous parts.....	70
Checking the AC adapter	21	Screw.....	70
Checking operational charging	21	AC adapters.....	71
Related service information	23	Power cords.....	72
Restoring the factory contents by using OneKey Recovery	23	Notices	75
Restore of factory default	23	Trademarks	76
Passwords	24		
Power-on password.....	24		
Hard-disk password.....	24		
Supervisor password.....	24		
Power management	25		
Screen blank state.....	25		
Putting the computer to sleep or shutting it down	25		
Putting your computer to sleep.....	25		
Shutting down the computer.....	26		
Lenovo Yoga 300	28		
Specifications	28		
Status indicators	30		
Fn key combinations.....	31		
FRU replacement notices	32		
Screw notices	32		
Removing and replacing an FRU	33		
1010 Base cover.....	34		
1020 Battery pack.....	36		
1030 Hard disk drive	37		
1040 PCI Express Mini Card for wireless LAN.....	40		

About this manual

This manual contains service and reference information for the following Lenovo product:

Lenovo Yoga 300

Use this manual to troubleshoot problems.

The manual is divided into the following sections:

- The common sections provide general information, guidelines, and safety information required for servicing computers.
- The product-specific section includes service, reference, and product-specific parts information.

Important:

This manual is intended only for trained servicers who are familiar with Lenovo products. Use this manual to troubleshoot problems effectively.

Before servicing a Lenovo product, make sure to read all the information under “Safety information” on page 1 and “Important service information” on page 16.

Safety information

This chapter presents the following safety information that you need to get familiar with before you service a Lenovo Yoga 300 computer:

- “General safety” on page 2
- “Electrical safety” on page 3
- “Safety inspection guide” on page 5
- “Handling devices that are sensitive to electrostatic discharge” on page 6
- “Grounding requirements” on page 6
- “Safety notices: multilingual translations” on page 7
- “Laser compliance statement” on page 14

General safety

Follow these rules below to ensure general safety:

- Observe a good housekeeping in the area where the machines are put during and after the maintenance.
- When lifting any heavy object:
 1. Make sure that you can stand safely without slipping.
 2. Distribute the weight of the object equally between your feet.
 3. Use a slow lifting force. Never move suddenly or twist when you attempt to lift it.
 4. Lift it by standing or pushing up with your leg muscles; this action could avoid the strain from the muscles in your back. Do not attempt to lift any object that weighs more than 16 kg (35 lb) or that you think is too heavy for you.
- Do not perform any action that causes hazards to the customer, or that makes the machine unsafe.
- Before you start the machine, make sure that other service representatives and the customer are not in a hazardous position.
- Please remove covers and other parts in a safe place, away from all personnel, while you are servicing the machine.
- Keep your toolcase away from walk areas so that other people will not trip over it.
- Do not wear loose clothing that can be trapped in the moving parts of the machine. Make sure that your sleeves are fastened or rolled up above your elbows. If your hair is long, fasten it.
- Insert the ends of your necktie or scarf inside clothing or fasten it with the nonconductive clip, about 8 centimeters (3 inches) from the end.
- Do not wear jewelry, chains, metal-frame eyeglasses, or metal fasteners for your clothing.

Attention: Metal objects are good electrical conductors.
- Wear safety glasses when you are hammering, drilling, soldering, cutting wire, attaching springs, using solvents, or working in any other conditions that may be hazardous to your eyes.
- After service, reinstall all safety shields, guards, labels, and ground wires. Replace any safety device that is worn or defective.
- Reinstall all covers correctly before returning the machine to the customer.
- Fan louvers on the machine help to prevent the overheating of internal components. Do not obstruct fan louvers or cover them with labels or stickers.

Electrical safety

Observe the following rules when working on electrical equipments.

Important:

Use only approved tools and test equipments. Some hand tools have handles covered with a soft material that does not insulate you when working with live electrical currents.

Many customers have rubber floor mats near their machines that contain small conductive fibers to decrease electrostatic discharges. Do not use such kind of mat to protect yourself from electrical shock.

- Find the room emergency power-off (EPO) switch, disconnecting switch or electrical outlet. If an electrical accident occurs, you can then operate the switch or unplug the power cord quickly.
- Do not work alone under hazardous conditions or near the equipment that has hazardous voltages.
- Disconnect all power before:
 - Performing a mechanical inspection
 - Working near power supplies
 - Removing or installing main units
- Before you start to work on the machine, unplug the power cord. If you cannot unplug it, ask the customer to power-off the wall box that supplies power to the machine, and to lock the wall box in the off position.
- If you need to work on a machine that has exposed electrical circuits, observe the following precautions:
 - Ensure that another person, familiar with the power-off controls, is near you.
Attention: Another person must be there to switch off the power, if necessary.
 - Use only one hand when working with powered-on electrical equipment; keep the other hand in your pocket or behind your back.
Attention: An electrical shock can occur only when there is a complete circuit. By observing the above rule, you may prevent a current from passing through your body.
 - When using testers, set the controls correctly and use the approved probe leads and accessories for that tester.
 - Stand on suitable rubber mats (obtained locally, if necessary) to insulate you from grounds such as metal floor strips and machine frames.

Observe the special safety precautions when you work with very high voltages; instructions for these precautions are in the safety sections of maintenance information. Be extremely careful when you measure the high voltages.

- Regularly inspect and maintain your electrical hand tools for safe operational condition.
- Do not use worn or broken tools and testers.
- Never assume that power has been disconnected from a circuit. First, check it to make sure that it has been powered off.

- Always look carefully for possible hazards in your work area. Examples of these hazards are moist floors, nongrounded power extension cables, power surges, and missing safety grounds.
- Do not touch live electrical circuits with the reflective surface of a plastic dental mirror. The surface is conductive; such touching can cause personal injury and machine damage.
- Do not service the following parts with the power on when they are removed from their normal operating places in a machine:
 - Power supply units
 - Pumps
 - Blowers and fans
 - Motor generatorsand similar units. (This practice ensures correct grounding of the units.)
- If an electrical accident occurs:
 - Caution: do not become a victim yourself.
 - Switch off the power.
 - Send the victim to get medical aid.

Safety inspection guide

The purpose of this inspection guide is to assist you in identifying potential unsafe conditions. As each machine was designed and built, required safety items were installed to protect users and service personnel from injury. This guide addresses only those items. You should use good judgment to identify potential safety hazards according to the attachment of non-Lenovo features or options not covered by this inspection guide.

If any unsafe conditions are present, you must determine how serious the apparent hazard could be and whether you can continue without first correcting the problem.

Consider these conditions and the safety hazards they present:

- Electrical hazards, especially primary power (primary voltage on the frame can cause serious or fatal electrical shock)
- Explosive hazards, such as a damaged CRT face or a bulging capacitor
- Mechanical hazards, such as loose or missing hardware

To determine whether there are any potential unsafe conditions, use the following checklist at the beginning of every service task. Begin the checks with the power off, and the power cord disconnected.

Checklist:

1. Check exterior covers for damage (loose, broken, or sharp edges).
2. Turn off the computer. Disconnect the power cord.
3. Check the power cord for:
 - a. A third-wire ground connector in good condition. Use a meter to measure third-wire ground continuity for 0.1 ohm or less between the external ground pin and the frame ground.
 - b. The power cord should be the type specified in the parts list.
 - c. Insulation must not be frayed or worn.
4. Check for cracked or bulging batteries.
5. Remove the cover.
6. Check for any obvious non-Lenovo alterations. Use good judgment as to the safety of any non-Lenovo alterations.
7. Check inside the unit for any obvious unsafe conditions, such as metal filings, contamination, water or other liquids, or signs of fire or smoke damage.
8. Check for worn, frayed, or pinched cables.
9. Check that the power-supply cover fasteners (screws or rivets) have not been removed or tampered with.

Handling devices that are sensitive to electrostatic discharge

Any computer part containing transistors or integrated circuits (ICs) should be considered sensitive to electrostatic discharge (ESD). ESD damage can occur when there is a difference in charge between objects. Protect against ESD damage by equalizing the charge so that the machine, the part, the work mat, and the person handling the part are all at the same charge.

Notes:

1. Use product-specific ESD procedures when they exceed the requirements noted here.
2. Make sure that the ESD protective devices you use have been certified (ISO 9000) as fully effective.

When handling ESD-sensitive parts:

- Keep the parts in protective packages until they are inserted into the product.
- Avoid contact with other people.
- Wear a grounded wrist strap against your skin to eliminate static on your body.
- Prevent the part from touching your clothing. Most clothing is insulative and retains a charge even when you are wearing a wrist strap.
- Use the black side of a grounded work mat to provide a static-free work surface. The mat is especially useful when handling ESD-sensitive devices.
- Select a grounding system, such as those listed below, to provide protection that meets the specific service requirement.

Note:

The use of a grounding system to guard against ESD damage is desirable but not necessary.

- Attach the ESD ground clip to any frame ground, ground braid, or green-wire ground.
- When working on a double-insulated or battery-operated system, use an ESD common ground or reference point. You can use coax or connector-outside shells on these systems.
- Use the round ground prong of the ac plug on ac-operated computers.

Grounding requirements

Electrical grounding of the computer is required for operator safety and correct system function. Proper grounding of the electrical outlet can be verified by a certified electrician.

Safety notices: multilingual translations

The safety notices in this section are provided in English, French, German, Hebrew, Italian, Japanese, and Spanish.

Safety notice 1

Before the computer is powered on after FRU replacement, make sure all screws, springs, and other small parts are in place and are not left loose inside the computer. Verify this by shaking the computer and listening for rattling sounds. Metallic parts or metal flakes can cause electrical shorts.

Avant de remettre l'ordinateur sous tension après remplacement d'une unité en clientèle, vérifiez que tous les ressorts, vis et autres pièces sont bien en place et bien fixées. Pour ce faire, secouez l'unité et assurez-vous qu'aucun bruit suspect ne se produit. Des pièces métalliques ou des copeaux de métal pourraient causer un court-circuit.

Bevor nach einem FRU-Austausch der Computer wieder angeschlossen wird, muß sichergestellt werden, daß keine Schrauben, Federn oder andere Kleinteile fehlen oder im Gehäuse vergessen wurden. Der Computer muß geschüttelt und auf Klappergeräusche geprüft werden. Metallteile oder-splitter können Kurzschlüsse erzeugen.

לפני הפעלת המחשב לאחר החלפת FRU יש לוודא שכל הברגים, הקפיצים, וחלקים קטנים אחרים נמצאים במקומם ואינם חופשים לזוז בתוך המחשב. כדי לוודא זאת, יש ללטלט את המחשב ולהקשיב לגילוי קולות שקשוק. חלקי או שבבי ממתכת עלולים לגרום לקצרים חשמליים.

Prima di accendere l'elaboratore dopo che é stata effettuata la sostituzione di una FRU, accertarsi che tutte le viti, le molle e tutte le altri parti di piccole dimensioni siano nella corretta posizione e non siano sparse all'interno dell'elaboratore. Verificare ciò scuotendo l'elaboratore e prestando attenzione ad eventuali rumori; eventuali parti o pezzetti metallici possono provocare cortocircuiti pericolosi.

FRUの交換後、コンピュータの電源を入れる前に、ねじ、バネ、その他の小さな部品がすべて正しい位置にあり、またコンピュータの内部で緩んでいないことを確認してください。これを確認するには、コンピュータを振って、カチャカチャと音がしないか確かめます。金属部品や金属破片はショートの原因になることがあります。

Antes de encender el sistema despues de sustituir una FRU, compruebe que todos los tornillos, muelles y demás piezas pequeñas se encuentran en su sitio y no se encuentran sueltas dentro del sistema. Compruébelo agitando el sistema y escuchando los posibles ruidos que provocarían. Las piezas metálicas pueden causar cortocircuitos eléctricos.

Safety notice 2

⚠ DANGER

Some standby batteries contain a small amount of nickel and cadmium. Do not disassemble a standby battery, recharge it, throw it into fire or water, or short-circuit it. Dispose of the battery as required by local ordinances or regulations. Use only the battery in the appropriate parts listing. Use of an incorrect battery can result in ignition or explosion of the battery.

Certaines batteries de secours contiennent du nickel et du cadmium. Ne les démontez pas, ne les rechargez pas, ne les exposez ni au feu ni à l'eau. Ne les mettez pas en court-circuit. Pour les mettre au rebut, conformez-vous à la réglementation en vigueur. Lorsque vous remplacez la pile de sauvegarde ou celle de l'horloge temps réel, veillez à n'utiliser que les modèles cités dans la liste de pièces détachées adéquate. Une batterie ou une pile inappropriée risque de prendre feu ou d'exploser.

Die Bereitschaftsbatterie, die sich unter dem Diskettenlaufwerk befindet, kann geringe Mengen Nickel und Cadmium enthalten. Sie darf nicht zerlegt, wiederaufgeladen, kurzgeschlossen, oder Feuer oder Wasser ausgesetzt werden. Bei der Entsorgung die örtlichen Bestimmungen für Sondermüll beachten. Beim Ersetzen der Bereitschafts- oder Systembatterie nur Batterien des Typs verwenden, der in der Ersatzteilliste aufgeführt ist. Der Einsatz falscher Batterien kann zu Entzündung oder Explosion führen.

סוללות המתנה מסוימות מכילות כמות קטנה של ניקל וקדמיום. אין לפרק סוללת המתנה, לטעון אותה מחדש, להשליך אותה לאש או למים או לקצר אותה. יש לשלוק את הסוללה כנדרש על ידי התקנות והחוקים המקומיים. יש להשתמש רק בסוללה המומלעת ברשימת החלקים המתאימה. שימוש בסוללה לא מתאימה עלול לגרום להצתה או התפוצצות של הסוללה.

Alcune batterie di riserva contengono una piccola quantità di nichel e cadmio. Non smontarle, ricaricarle, gettarle nel fuoco o nell'acqua né cortocircuitarle. Smaltirle secondo la normativa in vigore (DPR 915/82, successive disposizioni e disposizioni locali). Quando si sostituisce la batteria dell'RTC (real time clock) o la batteria di supporto, utilizzare soltanto i tipi inseriti nell'appropriato Catalogo parti. L'impiego di una batteria non adatta potrebbe determinare l'incendio o l'esplosione della batteria stessa.

予備バッテリーの中には少量のニッケルとカドミウムが含まれているものがあります。したがって、予備バッテリーの分解、再充電、火または水の中への投棄、またはショートさせることは決して行わないでください。バッテリーを廃棄する場合は地方自治体の条例に従ってください。適切なパーツ・リストにあるバッテリーだけを使用してください。誤ったバッテリーを使用すると、バッテリーが発火したり、爆発したりすることがあります。

Algunas baterías de reserva contienen una pequeña cantidad de níquel y cadmio. No las desmonte, ni recargue, ni las eche al fuego o al agua ni las cortocircuite. Deséchelas tal como dispone la normativa local. Utilice sólo baterías que se encuentren en la lista de piezas. La utilización de una batería no apropiada puede provocar la ignición o explosión de la misma.

Safety notice 3**⚠ DANGER**

The battery pack contains small amounts of nickel. Do not disassemble it, throw it into fire or water, or short-circuit it. Dispose of the battery pack as required by local ordinances or regulations. Use only the battery in the appropriate parts listing when replacing the battery pack. Use of an incorrect battery can result in ignition or explosion of the battery.

La batterie contient du nickel. Ne la démontez pas, ne l'exposez ni au feu ni à l'eau. Ne la mettez pas en court-circuit. Pour la mettre au rebut, conformez-vous à la réglementation en vigueur. Lorsque vous remplacez la batterie, veillez à n'utiliser que les modèles cités dans la liste de pièces détachées adéquate. En effet, une batterie inappropriée risque de prendre feu ou d'exploser.

Akkum enthalten geringe Mengen von Nickel. Sie dürfen nicht zerlegt, wiederaufgeladen, kurzgeschlossen, oder Feuer oder Wasser ausgesetzt werden. Bei der Entsorgung die örtlichen Bestimmungen für Sondermüll beachten. Beim Ersetzen der Batterie nur Batterien des Typs verwenden, der in der Ersatzteilliste aufgeführt ist. Der Einsatz falscher Batterien kann zu Entzündung oder Explosion führen.

מארו הסוללה מכיל כמות קטנה של ניקל וקדמיום. אין לפרק את מארו הסוללה, להשליך אותו לאש או למים או לקצר אותו. יש לטילק את מארו הסוללה הסוללה כנדרש על ידי התקנות והחוקים המקומיים. יש להשתמש רק בסוללה המומייעה ברשימת החלקים המתאימה בזמן החלפת מארו הסוללה. שימוש בסוללה לא מתאימה עלול לגרום להצתה או התפוצצות של הסוללה.

La batteria contiene piccole quantità di nichel. Non smontarla, gettarla nel fuoco o nell'acqua né cortocircuitarla. Smaltirla secondo la normativa in vigore (DPR 915/82, successive disposizioni e disposizioni locali). Quando si sostituisce la batteria, utilizzare soltanto i tipi inseriti nell'appropriato Catalogo parti. L'impiego di una batteria non adatta potrebbe determinare l'incendio o l'esplosione della batteria stessa.

バッテリー・パックには少量のニッケルが含まれています。バッテリー・パックを分解したり、火または水の中に投げ込んだり、ショートさせないでください。バッテリー・パックの廃棄にあたっては、地方自治体の条例または規則に従ってください。バッテリー・パックを交換するときは、適切なパーツ・リストにあるバッテリーだけを使用してください。誤ったバッテリーを使用すると、バッテリーが発火したり、爆発したりすることがあります。

Las baterías contienen pequeñas cantidades de níquel. No las desmonte, ni recargue, ni las eche al fuego o al agua ni las cortocircuite. Deséchelas tal como dispone la normativa local. Utilice sólo baterías que se encuentren en la lista de piezas al sustituir la batería. La utilización de una batería no apropiada puede provocar la ignición o explosión de la misma.

Safety notice 4

⚠ DANGER

The lithium battery can cause a fire, an explosion, or a severe burn. Do not recharge it, remove its polarized connector, disassemble it, heat it above 100°C (212°F), incinerate it, or expose its cell contents to water. Dispose of the battery as required by local ordinances or regulations. Use only the battery in the appropriate parts listing. Use of an incorrect battery can result in ignition or explosion of the battery.

La pile de sauvegarde contient du lithium. Elle présente des risques d'incendie, d'explosion ou de brûlures graves. Ne la rechargez pas, ne retirez pas son connecteur polarisé et ne la démontez pas. Ne l'exposez pas à une température supérieure à 100°C, ne la faites pas brûler et n'en exposez pas le contenu à l'eau. Mettez la pile au rebut conformément à la réglementation en vigueur. Une pile inappropriée risque de prendre feu ou d'exploser.

Die Systematterie ist eine Lithiumatterie. Sie kann sich entzünden, explodieren oder schwere Verbrennungen hervorrufen. Batterien dieses Typs dürfen nicht aufgeladen, zerlegt, über 100 C erhitzt oder verbrannt werden. Auch darf ihr Inhalt nicht mit Wasser in Verbindung gebracht oder der zur richtigen Polung angebrachte Verbindungsstecker entfernt werden. Bei der Entsorgung die örtlichen Bestimmungen für Sondermüll beachten. Beim Ersetzen der Batterie nur Batterien des Typs verwenden, der in der Ersatzteilliste aufgeführt ist. Der Einsatz falscher Batterien kann zu Entzündung oder Explosion führen.

סוללת הליתיום עלולה לגרום לשריפה, להתפוצצות או לכוויות קשות. אין לטעון אותה מחדש, לטלוק את המחבר המקוטב שלה, לפרק אותה או לחמם אותה לטמפרטורה העולה על 100 מעלות צלזיוס. אין לשרוף את הסוללה כנדרש לחשוף את תוכן התא למים. יש לטלוק את הסוללה בנדרש בתקנות ובחוקים המקומיים. יש להשתמש רק בסוללה המופיעה ברשימת החלקים המתאימים. שימוש בסוללה אחרת עלול לגרום לשריפת או התפוצצות.

La batteria di supporto e una batteria al litio e puo incendiarsi, esplodere o procurare gravi ustioni. Evitare di ricaricarla, smontarne il connettore polarizzato, smontarla, riscaldarla ad una temperatura superiore ai 100 gradi centigradi, incendiarla o gettarla in acqua. Smaltirla secondo la normativa in vigore (DPR 915/82, successive disposizioni e disposizioni locali). L'impiego di una batteria non adatta potrebbe determinare l'incendio o l'esplosione della batteria stessa.

リチウム・バッテリーは、火災、爆発、または重症のやけどを引き起こすことがあります。バックアップ・バッテリーの充電、その極性コネクタの取り外し、バッテリー本体の分解、100°C (212°F) 以上への加熱、焼却、電池の中身を水に浸すことはしないでください。バッテリーを廃棄する場合は地方自治体の条例に従ってください。適切なパーツ・リストにあるバッテリーだけを使用してください。誤ったバッテリーを使用すると、バッテリーが発火したり、爆発したりすることがあります。

La batería de repuesto es una batería de litio y puede provocar incendios, explosiones o quemaduras graves. No la recargue, ni quite el conector polarizado, ni la desmonte, ni caliente por encima de los 100°C (212°F), ni la incinere ni exponga el contenido de sus celdas al agua. Deséchela tal como dispone la normativa local.

Safety notice 5

If the LCD breaks and the fluid from inside the LCD gets into your eyes or on your hands, immediately wash the affected areas with water at least for 15 minutes. Seek medical care if any symptoms caused by the fluid are present after washing.

Si le panneau d'affichage à cristaux liquides se brise et que vous recevez dans les yeux ou sur les mains une partie du fluide, rincez-les abondamment pendant au moins quinze minutes. Consultez un médecin si des symptômes persistent après le lavage.

Die Leuchtstoffröhre im LCD-Bildschirm enthält Quecksilber. Bei der Entsorgung die örtlichen Bestimmungen für Sondermüll beachten. Der LCD-Bildschirm besteht aus Glas und kann zerbrechen, wenn er unsachgemäß behandelt wird oder der Computer auf den Boden fällt. Wenn der Bildschirm beschädigt ist und die darin befindliche Flüssigkeit in Kontakt mit Haut und Augen gerät, sollten die betroffenen Stellen mindestens 15 Minuten mit Wasser abgespült und bei Beschwerden anschließend ein Arzt aufgesucht werden.

אם מסך הנביש הנוזלי (LCD) נשבר והנוזל מתוך המסך בא במגע עם עיניים או ידיים, שטפו את האזורים הנגועים מיד במים במשך 15 דקות לפחות. מני לקבלת עזרה רפואית אם הסמנים הנובעים מהמגע עם הנוזל נמשכים לאחר השטיפה.

Nel caso che caso l'LCD si dovesse rompere ed il liquido in esso contenuto entrasse in contatto con gli occhi o le mani, lavare immediatamente le parti interessate con acqua corrente per almeno 15 minuti; poi consultare un medico se i sintomi dovessero permanere.

LCD が破損し、LCD の中の液体が目に入ったり、手に触れたりした場合は、液体が触れた部分を少なくとも 15 分間洗い流してください。洗い流した後に、液体によって何らかの症状が現れた場合は、医師の治療を受けてください。

Si la LCD se rompe y el fluido de su interior entra en contacto con sus ojos o sus manos, lave inmediatamente las áreas afectadas con agua durante 15 minutos como mínimo. Obtenga atención medica si se presenta algún sintoma del fluido despues de lavarse.

Safety notice 6

⚠ DANGER

To avoid shock, do not remove the plastic cover that protects the lower part of the inverter card.

Afin d'éviter tout risque de choc électrique, ne retirez pas le cache en plastique protégeant la partie inférieure de la carte d'alimentation.

Aus Sicherheitsgründen die Kunststoffabdeckung, die den unteren Teil der Spannungswandlerplatine umgibt, nicht entfernen.

כדי למנוע התחשמלות, אין להסיר את מכסה הפלסטיק המגן על חלקו התחתון של הכרטיס ההפוך.

Per evitare scosse elettriche, non rimuovere la copertura in plastica che avvolge la parte inferiore della scheda invertitore.

感電を防ぐため、インバーター・カードの下部を保護しているプラスチック・カバーを外さないでください。

Para evitar descargas, no quite la cubierta de plástico que rodea la parte baja de la tarjeta invertida.

Safety notice 7

⚠ DANGER

Though the main batteries have low voltage, a shorted or grounded battery can produce enough current to burn personnel or combustible materials.

Bien que le voltage des batteries principales soit peu élevé, le court-circuit ou la mise à la masse d'une batterie peut produire suffisamment de courant pour brûler des matériaux combustibles ou causer des brûlures corporelles graves.

Obwohl Hauptbatterien eine niedrige Spannung haben, können sie doch bei Kurzschluß oder Erdung genug Strom abgeben, um brennbare Materialien zu entzünden oder Verletzungen bei Personen hervorzurufen.

אף שהסוללות הראשיות הן בעלות מתח נמוך, סוללה מקוצרת או מוארזת עלולה להפיק זרם מספיק לגרימת כוויות או להצתת חומרים דליקים.

Sebbene le batterie di alimentazione siano a basso voltaggio, una batteria in corto circuito o a massa può fornire corrente sufficiente da bruciare materiali combustibili o provocare ustioni ai tecnici di manutenzione.

メイン・バッテリーの電圧は低くても、ショートしたり、接地したバッテリーが、作業者にやけどを負わせたり、可燃物を燃やすだけの電流を発生させる場合があります。

Aunque las baterías principales tienen un voltaje bajo, una batería cortocircuitada o con contacto a tierra puede producir la corriente suficiente como para quemar material combustible o provocar quemaduras en el personal.

Safety notice 8

DANGER

Before removing any FRU, turn off the computer, unplug all power cords from electrical outlets, remove the battery pack, and then disconnect any interconnecting cables.

Avant de retirer une unité remplaçable en clientèle, mettez le système hors tension, débranchez tous les cordons d'alimentation des socles de prise de courant, retirez la batterie et déconnectez tous les cordons d'interface.

Die Stromzufuhr muß abgeschaltet, alle Stromkabel aus der Steckdose gezogen, der Akku entfernt und alle Verbindungskabel abgenommen sein, bevor eine FRU entfernt wird.

למני סילוק FRU כלשהו, יש לכבות את המחשב, לנתק את כל כבלי החשמל משקעו החשמל, להוציא את מטריז הסוללה, ואז לנתק כבלי חיבור אחרים אם יש כאלה.

Prima di rimuovere qualsiasi FRU, spegnere il sistema, scollegare dalle prese elettriche tutti i cavi di alimentazione, rimuovere la batteria e poi scollegare i cavi di interconnessione.

FRU を取り外す前に、ThinkPad の電源を切って、すべての電源コードをコンセントから外してください。次に、バッテリー・パックを外し、相互接続ケーブルを外してください。

Antes de quitar una FRU, apague el sistema, desenchufe todos los cables de las tomas de corriente eléctrica, quite la batería y, a continuación, desconecte cualquier cable de conexión entre dispositivos.

Laser compliance statement

Some models of Lenovo computer are equipped from the factory with an optical storage device such as a CD-ROM drive or a DVD-ROM drive. Such devices are also sold separately as options. If one of these drives is installed, it is certified in the U.S. to conform to the requirements of the Department of Health and Human Services 21 Code of Federal Regulations (DHHS 21 CFR) Subchapter J for Class 1 laser products. Elsewhere, the drive is certified to conform to the requirements of the International Electrotechnical Commission (IEC) 825 and CENELEC EN 60 825 for Class 1 laser products.

If a CD-ROM drive, a DVD-ROM drive, or another laser device is installed, note the following:

CAUTION

Use of controls or adjustments or performance of procedures other than those specified herein might result in hazardous radiation exposure.

O uso de controles, ajustes ou desempenho de procedimentos diferentes daqueles aqui especificados pode resultar em perigosa exposição à radiação.

凡未在这里指明的任何控制用法、调整、行为，都会导致严重后果。

Pour éviter tout risque d'exposition au rayon laser, respectez les consignes de réglage et d'utilisation des commandes, ainsi que les procédures décrites.

Werden Steuer- und Einstellelemente anders als hier festgesetzt verwendet, kann gefährliche Laserstrahlung auftreten.

Az itt előírt eljárásoktól, beállítástól és vezérlésektől eltérni a lézersugárzás veszélye miatt kockázatos!

L'utilizzo di controlli, regolazioni o l'esecuzione di procedure diverse da quelle specificate possono provocare l'esposizione a.

Использование элементов настройки и выполнение процедур иных, чем указано здесь, может привести к опасному радиационному облучению.

Použitie kontrol, úprav alebo iných vykonaní od iných výrobcov, ako je v tomto špecifikované, mohlo by mať za následok nebezpečenstvo vystavenia sa vyžiarovaniu.

本書で指定された内容以外の、お客様による整備、調整、または手順を行った場合、レーザー光の放射の危険があります。

El uso de controles o ajustes o la ejecución de procedimientos distintos de los aquí especificados puede provocar la exposición a radiaciones peligrosas.

Opening the CD-ROM drive, the DVD-ROM drive, or any other optical storage device could result in exposure to hazardous laser radiation. There are no serviceable parts inside those drives. **Do not open.**

A CD-ROM drive, a DVD-ROM drive, or any other storage device installed may contain an embedded Class 3A or Class 3B laser diode. Note the following:

⚠ DANGER

Emits visible and invisible laser radiation when open. Do not stare into the beam, do not view directly with optical instruments, and avoid direct exposure to the beam.

Radiação por raio laser ao abrir. Não olhe fixo no feixe de luz, não olhe diretamente por meio de instrumentos óticos e evite exposição direta com o feixe de luz.

开启时会有激光发射时，请勿直视激光束，请勿直接查看视觉仪器，并且避免直接接触在激光束之中。

Rayonnement laser si carter ouvert. Évitez de fixer le faisceau, de le regarder directement avec des instruments optiques, ou de vous exposer au rayon.

Laserstrahlung bei geöffnetem Gerät. Nicht direkt oder über optische Instrumente in den Laserstrahl sehen und den Strahlungsbereich meiden.

Kinyitáskor lézersugár ! Ne nézzen bele se szabad szemmel, se optikai eszközökkel. Kerülje a sugárnyalábbal való érintkezést!

Aprenndo l'unità vengono emesse radiazioni laser. Non fissare il fascio, non guardarlo direttamente con strumenti ottici e evitare l'esposizione diretta al fascio.

Открывая, берегитесь лазерного излучения. Не смотрите на луч, не разглядывайте его с помощью оптических инструментов, а также избегайте прямого воздействия лазерного луча.

Keď je laserová jednotka otvorená. Vyhňte sa priamemu pohľadu a nehládte priamo s optickými nástrojmi do lúča a vyhňte sa priamemu vystaveniu lúčov.

開けるとレーザー光が放射されます。光線を見つめたり、光学機械を使って直接見たりしないでください。

Radiación láser al abrir. No mire fijamente ni examine con instrumental óptico el haz de luz. Evite la exposición directa al haz.

Important service information

This chapter presents the following important service information:

- “Strategy for replacing FRUs” on page 16
 - “Strategy for replacing a hard disk drive” on page 17
 - “Important notice for replacing a system board” on page 17
- “Important information about replacing RoHS compliant FRUs” on page 18

Important:

BIOS and device driver fixes are customer-installable. The BIOS and device drivers are posted on the customer support site:

<http://support.lenovo.com>.

Strategy for replacing FRUs

Before replacing parts:

Make sure that all software fixes, drivers, and BIOS downloads are installed before replacing any FRUs listed in this manual.

After a system board is replaced, ensure that the latest BIOS is loaded to the system board before completing the service action.

To download software fixes, drivers, and BIOS, follow the steps below:

1. Go to <http://support.lenovo.com>.
2. Enter the serial number or select a product or use Lenovo smart downloading.
3. Select the BIOS/Driver/Applications and download.
4. Follow the directions on the screen and install the necessary software.

Use the following strategy to prevent unnecessary expense for replacing and servicing FRUs:

- If you are instructed to replace an FRU, but the replacement does not solve the problem, reinstall the original FRU before you continue.
- Some computers have both a processor board and a system board. If you are instructed to replace either of them, and replacing one of them does not solve the problem, reinstall that board, and then replace the other one.
- If an adapter or a device consists of more than one FRU, any of the FRUs may be the cause of the error. Before replacing the adapter or device, remove the FRUs one by one to see if the symptoms change. Replace only the FRU that changed the symptoms.

Attention: The setup configuration on the computer you are servicing may have been customized. Running Automatic Configuration may alter the settings. Note the current configuration settings (using the View Configuration option); then, when service has been completed, verify that those settings remain in effect.

Strategy for replacing a hard disk drive

Always try to run a low-level format before replacing a hard disk drive. This will cause all customer data on the hard disk to be lost. Make sure that the customer has a current backup of the data before performing this action.

Attention: The drive startup sequence in the computer you are servicing may have been changed. Be extremely careful during write operations such as copying, saving, or formatting. If you select an incorrect drive, data or programs can be overwritten.

Important notice for replacing a system board

Some components mounted on a system board are very sensitive. Improper handling can cause damage to those components, and may cause a system malfunction.

Attention: When handling a system board:

- Do not drop the system board or apply any excessive force to it.
- Avoid rough handling of any kind.
- Avoid bending the system board and hard pushing to prevent cracking at each BGA (Ball Grid Array) chipset.

Important information about replacing RoHS compliant FRUs

RoHS, The Restriction of Hazardous Substances in Electrical and Electronic Equipment Directive (2002/95/EC) is a European Union legal requirement affecting the global electronics industry. RoHS requirements must be implemented on Lenovo products placed on the market after June 2006. Products on the market before June 2006 are not required to have RoHS compliant parts. If the original FRU parts are non-compliant, replacement parts can also be non-compliant. In all cases if the original FRU parts are RoHS compliant, the replacement part must also be RoHS compliant.

Note: RoHS and non-RoHS FRU part numbers with the same fit and function are identified with unique FRU part numbers.

Lenovo plans to transit to RoHS compliance well before the implementation date and expects its suppliers to be ready to support Lenovo's requirements and schedule in the EU. Products sold in 2005 and 2006 will contain some RoHS compliant FRUs. The following statement pertains to these products and any product Lenovo produces containing RoHS compliant FRUs.

RoHS compliant FRUs have unique FRU part numbers. Before or after the RoHS implementation date, failed RoHS compliant parts must always be replaced with RoHS compliant ones, so only the FRUs identified as compliant in the system HMM or direct substitutions for those FRUs may be used.

Products marketed before June 2006		Products marketed after June 2006	
Current or original part	Replacement FRU	Current or original part	Replacement FRU
Non-RoHS	Can be Non-RoHS	Must be RoHS	Must be RoHS
Non-RoHS	Can be RoHS		
Non-RoHS	Can sub to RoHS		
RoHS	Must be RoHS		

Note: A direct substitution is a part with a different FRU part number that is automatically shipped by the distribution center at the time of the order.

General checkout

This chapter presents the following information:

- “What to do first” on page 20
- “Power system checkout” on page 21

Before you go to the checkout, make sure to read the following important notes:

Important notes:

- **Only certified trained personnel can service the computer.**
- **Before replacing any FRU, read the entire page on removing and replacing FRUs.**
- **Carefully remove screws for reuse when replacing FRUs.**
- **Be extremely careful during such write operations as copying, saving, or formatting.** Drives in the computer that you are servicing sequence might have been altered. If you select an incorrect drive, data or programs might be overwritten.
- **Replace an FRU only with another FRU of the correct model.** When you replace an FRU, make sure that the machine model and the FRU part number are correct by referring to the FRU parts list.
- **An FRU should not be replaced just because of a single, unreproducible failure.** Single failures can occur for a variety of reasons that have nothing to do with a hardware defect, such as cosmic radiation, electrostatic discharge, or software errors. Consider replacing an FRU only when a problem recurs. If you suspect that an FRU is defective, clear the error logs and run the test again. If the error does not recur, do not replace the FRU.
- **Be careful not to replace a nondefective FRU.**

What to do first

When you do return an FRU, you must include the following information in the parts exchange form or parts return form that you attach to it:

1. Name and phone number of servicer
2. Date of service
3. Date on which the machine failed
4. Date of purchase
5. Procedure index and page number in which the failing FRU was detected
6. Failing FRU name and part number
7. Machine type, model number, and serial number
8. Customer's name and address

Note for warranty: During the warranty period, the customer may be responsible for repair costs if the computer damage was caused by misuse, accident, modification, unsuitable physical or operating environment, or improper maintenance by the customer.

The following is a list of some common items that are not covered under warranty and some symptoms that might indicate that the system was subjected to stress beyond normal use.

Before checking problems with the computer, determine whether the damage is covered under the warranty by referring to the following list:

The following are not covered under warranty:

- LCD panel cracked from the application of excessive force or from being dropped
- Scratched (cosmetic) parts
- Distortion, deformation, or discoloration of the cosmetic parts
- Plastic parts, latches, pins, or connectors that have been cracked or broken by excessive force
- Damage caused by liquid spilled into the system
- Damage caused by the improper insertion of a PC Card or the installation of an incompatible card
- Improper disk insertion or use of an optical drive
- Diskette drive damage caused by pressure on the diskette drive cover, foreign material in the drive, or the insertion of a diskette with multiple labels
- Damaged or bent diskette eject button
- Fuses blown by attachment of a nonsupported device
- Forgotten computer password (making the computer unusable)
- Sticky keys caused by spilling a liquid onto the keyboard
- Use of an incorrect AC adapter on laptop products

The following symptoms might indicate damage caused by nonwarranted activities:

- Missing parts might be a symptom of unauthorized service or modification.
- If the spindle of a hard disk drive becomes noisy, it may have been subjected to excessive force, or dropped.

Power system checkout

To verify a symptom, follow the steps below:

1. Turn off the computer.
2. Connect the AC adapter.
3. Make sure that power is supplied when you turn on the computer.
4. Turn off the computer.
5. Disconnect the AC adapter.
6. Make sure that the battery pack supplies power when you turn on the computer.

If you suspect a power problem, see the appropriate power supply checkout:

- “Checking the AC adapter” on page 21
- “Checking operational charging” on page 21

Checking the AC adapter

You are here because the computer fails only when the AC adapter is used.

- If the power-on indicator does not turn on, check the power cord of the AC adapter for correct continuity and installation.
- If the computer does not charge during operation, go to “Checking operational charging”.

To check the AC adapter, follow the steps below:

1. Unplug the AC adapter cable from the computer.
2. Measure the output voltage at the plug of the AC adapter cable. See the following figure:



Pin	Voltage (V DC)
1	+20
2	0

Note: Output voltage for the AC adapter pin No. 2 may differ from the one you are servicing.

3. If the voltage is not correct, replace the AC adapter.
4. If the voltage is acceptable, do the following:
 - Replace the system board.
 - If the problem persists, go to “Lenovo Yoga 300” on page 27.

Note: Noise from the AC adapter does not always indicate a defect.

Checking operational charging

To check whether the battery charges properly during operation, use a discharged battery pack or a battery pack that has less than 50% of the total power remaining when installed in the computer.

Perform operational charging. If the battery status indicator or icon is not lit, remove the battery pack and let it return to room temperature. Reinstall the battery pack. If the charge indicator or icon is still off, replace the battery pack.

If the charge indicator is still not lit, replace the system board.

Related service information

This chapter presents the following information:

- “Restoring the factory contents by using OneKey Recovery” on page 23
- “Passwords” on page 24
- “Power management” on page 25

Restoring the factory contents by using OneKey Recovery

Restore of factory default

The Lenovo Yoga 300 computer comes with pre-installed OneKey Recovery System. In order to save application files and the initial backed up files of the system, the hard disk in a Lenovo computer includes a hidden partition when it is shipped. If you need to restore the system to the point of your first boot up, just enter Lenovo OneKey Recovery System and run **System Recovery**. For details of OneKey Recovery System, see *the User Guide for Lenovo OneKey Recovery system*.

Note: This will delete all the new data on the system partition (C drive), which is not recoverable. Make sure to back up your critical data before you perform this action.

Passwords

As many as three passwords may be needed for any Lenovo computer: the power-on password (POP), the hard disk password (HDP), and the supervisor password.

If any of these passwords has been set, a prompt for it appears on the screen whenever the computer is turned on. The computer does not start until the password is entered.

Power-on password

A power-on password (POP) protects the system from being powered on by an unauthorized person. The password must be entered before an operating system can be booted.

Hard-disk password

There are two hard-disk passwords (HDPs):

+ User HDP - for the user

+ Master HDP - for the system administrator, who can use it to get access to the hard disk drive even if the user has changed the user HDP

Attention: If the user HDP has been forgotten, check whether a master HDP has been set. If it has, it can be used for access to the hard disk drive. If no master HDP is available, neither Lenovo nor Lenovo authorized service technicians provide any services to reset either the user or the master HDP, or to recover data from the hard disk drive. The hard disk drive can be replaced for a scheduled fee.

Supervisor password

A supervisor password protects the system information stored in the BIOS. The user must enter the supervisor password to get access to the BIOS and change the system configuration.

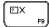
Attention: If you forget the password, there is no service procedure to reset the password. The system board must be replaced for a scheduled fee.


Power management

Note: Power management modes are not supported for an APM operating system.

To reduce power consumption, the computer has two power management modes: screen blank and sleep (standby).

Screen blank state

If the time set on the “Turn off monitor” timer in the operating system expires, the LCD backlight turns off. You can also turn off the LCD backlight by pressing .

To end screen blank state and resume normal operation, press .

Putting the computer to sleep or shutting it down


When you have finished working with your computer, you can put it to sleep or shut it down.

Putting your computer to sleep

If you will be away from your computer for only a short time, put the computer to sleep.

When the computer is in sleep mode, you can quickly wake it to resume use, bypassing the startup process.

To put the computer to sleep, do one of the following:

- Close the display lid.
- Press the power button.
- Open the charms bar and then select **Settings**  → **Power**  → **Sleep**.



Note: Put your computer to sleep before you move it. Moving your computer while the hard disk drive is spinning can damage the hard disk, causing loss of data.

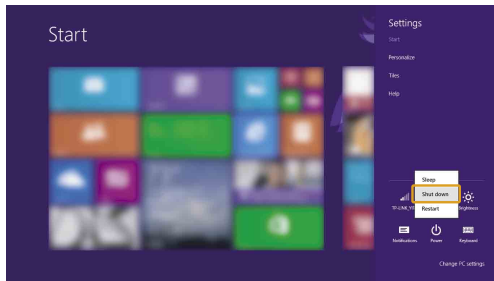
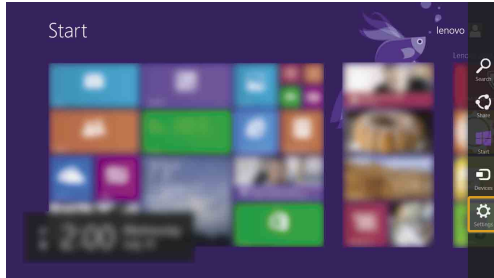
To wake the computer, do one of the following:

- Press any key on the keyboard. (Notebook mode only)
- Press the power button.
- Press the Windows button.

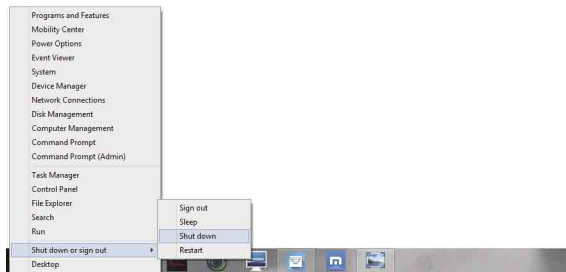
Shutting down the computer

If you are not going to use your computer for a long time, shut it down.
To shut down your computer, do one of the following:

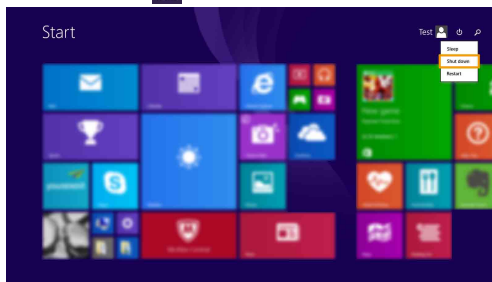
- Open the charms bar and then select **Settings**  → **Power**  → **Shut down**.



- Right-click the Start button in the lower-left corner and select **Shut down or sign out** → **Shut down**.



- On the Start screen, click  and select **Shut down**.



Note: This operation depends on your BIOS settings. Please refer to the actual product.

Lenovo Yoga 300

This chapter presents the following product-specific service references and product-specific parts information:

- “Specifications” on page 27
- “Status indicators” on page 29
- “Fn key combinations” on page 30
- “FRU replacement notices” on page 31
- “Removing and replacing an FRU” on page 32
- “Locations” on page 58
- “Parts list” on page 60

Specifications

The following table lists the specifications of the Lenovo Yoga 300:

Table 1. Specifications

Feature	Description
Processor	See the system properties of your computer, you can do this as follows: Click Control Panel , then click Hardware and Sound , click Device Manager under Devices and Printers and double click Processors .
Graphic Chipset	<ul style="list-style-type: none">• Intel Gen7 graphics
Display	<ul style="list-style-type: none">• 11.6-inch
Standard memory	<ul style="list-style-type: none">• DDR3L-1333MHz (max 8 GB)
Hard disk drive (on select models)	<ul style="list-style-type: none">• 2.5-inch, 7 mm• HDD: 250 GB/320 GB/500 GB/1 TB• SSHD: 500 GB+8 GB• 32 GB/64 GB• SATA 3• eMMC
Optical drive	<ul style="list-style-type: none">• NA
I/O port	<ul style="list-style-type: none">• HDMI slot × 1• USB 2.0 port × 2, USB 3.0 port × 1• 4 in 1 slot × 1 (SD/SDHC/SDXC/MMC)

Table 1. Specifications (continued)

Feature	Description
Audio	<ul style="list-style-type: none">• Combo audio jack × 1• Integrated Speakers Stereo × 2• Built-in microphone × 2
Keyboard	<ul style="list-style-type: none">• 6-Row, Lenovo Keyboard
Touch pad	<ul style="list-style-type: none">• Multi-touch type
Integrated camera	<ul style="list-style-type: none">• 0.3 Mega, HD
Battery	<ul style="list-style-type: none">• 2 cells, 30 Wh
AC adapter	<ul style="list-style-type: none">• 20 V, 45 W
Pre-installed operating system	<ul style="list-style-type: none">• Windows 8.1

Status indicators

The system status indicators below show the computer status:

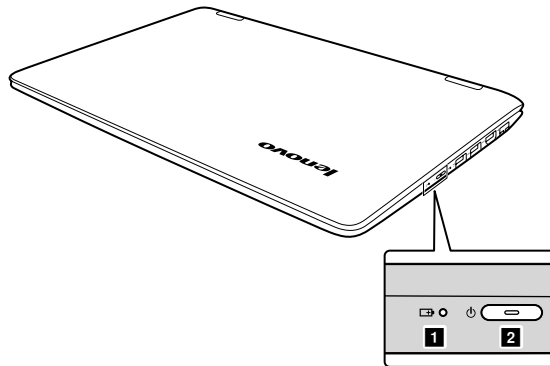







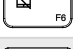

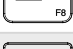
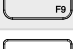
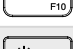
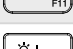

Table 2. Status indicators

Indicator	Indicator status	Meaning
Battery status indicator	On (solid white)	The battery has more than 20% charge.
	Solid amber	The battery has between 5% and 20% charge.
	Fast blinking amber	The battery has less than 5% charge.
	Slow blinking amber	The battery is being charged. When battery charge reaches 20%, the blinking color changes to white.
	Slow blinking white	The battery has between 20% and 80% charge and is still charging. When the battery reaches 80% charge the light will stop blinking, but charging will continue until the battery is fully charged.
Power status indicator	On (solid white)	The computer is powered on.
	Blinking	The computer is in sleep mode.
	Off	The computer is powered off.

Fn key combinations

The following table describes the functions of Fn key combinations.

Table 3. Function key combinations

	Mutes/unmutes the sound.
	Decreases the volume level.
	Increases the volume level.
	Closes the currently active window.
	Refreshes the desktop or the currently active window.
	Enables/disables the touch pad.
	Enables/disables Airplane mode.
	Displays all currently active apps.
	Turns on/off the backlight of the LCD screen.
	Toggles the display between the computer and an external device.
	Decreases display brightness.
	Increases display brightness.

FRU replacement notices

This section presents notices related to removing and replacing parts. Read this section carefully before replacing any FRU.

Screw notices

Loose screws can cause a reliability problem. In the Lenovo computer, this problem is addressed with special nylon-coated screws that have the following characteristics:

- They maintain tight connections.
- They do not easily come loose, even with shock or vibration.
- They are harder to tighten.

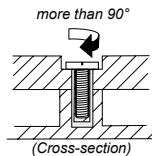
Do the following when you service this machine:

- Keep the screw kit in your tool bag.
- Carefully remove screws for reuse when replacing FRUs.
- Use a torque screwdriver if you have one.

Tighten screws as follows:

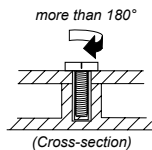
- **Plastic to plastic**

Turn an additional 90° after the screw head touches the surface of the plastic part:



- **Logic card to plastic**

Turn an additional 180° after the screw head touches the surface of the logic card:



- **Torque driver**

If you have a torque screwdriver, refer to the "Torque" column for each step.

- Make sure that you use the correct screws. If you have a torque screwdriver, tighten all screws firmly to the torque shown in the table. **Carefully remove screws for reuse when replacing FRUs. Make sure that all screws are tightened firmly.**
- Ensure torque screwdrivers are calibrated correctly following country specifications.

Removing and replacing an FRU

This section presents exploded figures with the instructions to indicate how to remove and replace the FRU. Make sure to observe the following general rules:

1. Do not attempt to service any computer unless you have been trained and certified. An untrained person runs the risk of damaging parts.
2. Before replacing any FRU, review "FRU replacement notices" on page 31.
3. Begin by removing any FRUs that have to be removed before the failing FRU. Any of such FRUs are listed at the top of the page. Remove them in the order in which they are listed.
4. Follow the correct sequence in the steps to remove the FRU, as given in the figures by the numbers in square callouts.
5. When turning a screw to replace an FRU, turn it in the direction as given by the arrow in the figure.
6. When removing the FRU, move it in the direction as given by the arrow in the figure.
7. To put the new FRU in place, reverse the removal procedures and follow any of the notes that pertain to replacement. For information about connecting and arranging internal cables, see "Locations" on page 58.
8. When replacing an FRU, use the correct screw as shown in the procedures.

DANGER

Before removing any FRU, turn off the computer, unplug all power cords from electrical outlets, remove the battery pack, and then disconnect any of the interconnecting cables.

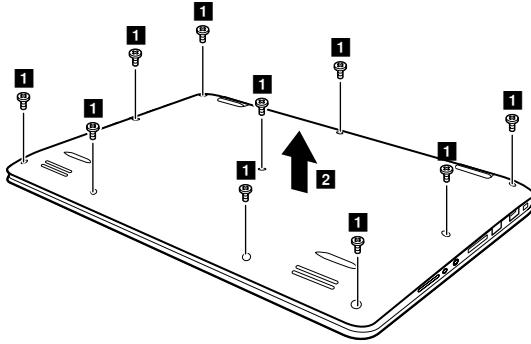
Attention: After replacing an FRU, do not turn on the computer until you have made sure that all screws, springs, and other small parts are in place and none are loose inside the computer. Verify this by shaking the computer gently and listening for rattling sounds. Metallic parts or metal flakes can cause electrical short circuits.

Attention: The system board is sensitive to, and can be damaged by, electrostatic discharge. Before touching it, establish personal grounding by touching a ground point with one hand or using an electrostatic discharge (ESD) strap (P/N 6405959) to remove potential shock reasons.

1010 Base cover

Figure 1. Removal steps of base cover

Remove the screws **1**. Then remove the base cover **2**.



Step	Screw (quantity)	Color	Torque
1	M2 × 6.5 mm, flat-head, nylok-coated (10) Lower to Upper	Silver	1.8 kgf*cm

Note: Applying labels to the base cover

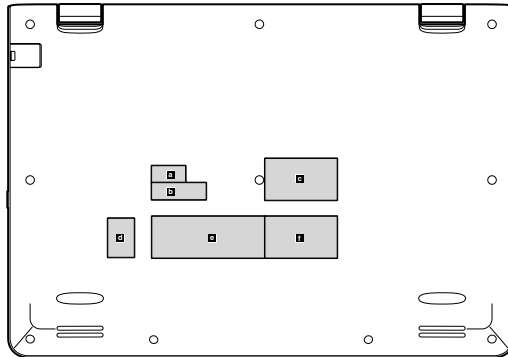
The new base cover FRU is shipped with a kit containing labels of several kinds. When you replace the base cover, you need to apply the following labels:

The following labels need to be peeled off from the old base cover and put on the new base cover.

- a** WLAN label (the label size of 20 x 10 mm and 32 x 10 mm can be applied)
- b** FCC label for US/CA/TW
- c** WLAN label (the label size of 35 x 15 mm, 43 x 24 mm and 50 x 16 mm can be applied)
- d** Intel label
- e** China Rating label or WW Rating label
- f** Rating label print

For some models, you also need to apply one or two FCC labels. Check the old base cover; if it has one or two FCC labels, find duplicates of them in the label kit and apply them to the new base cover.

For the location of each label, refer to the following figure:



1020 Battery pack

For access, remove this FRU:

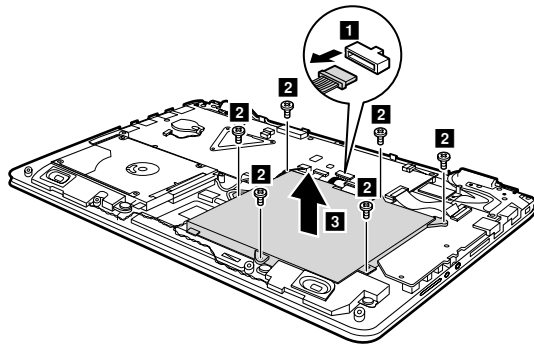
- “1010 Base cover” on page 34

⚠ DANGER

Only use the battery specified in the parts list for your computer. Any other battery could ignite or explode.

Figure 2. Removal steps of battery pack

Unplug the battery connector **1** and remove the screws **2**. Then remove the battery pack in the direction shown by arrow **3**.



Step	Screw (quantity)	Color	Torque
2	M2 × 4 mm, flat-head, nylok-coated (6) Bty to Upper	Black	1.8 kgf*cm

When installing: Make sure that the battery connector is attached firmly.

1030 Hard disk drive


For access, remove these FRUs in order:

- “1010 Base cover” on page 34
- “1020 Battery pack” on page 36

Attention:

- **Do not drop the hard disk drive or apply any physical shock to it.** The hard disk drive is sensitive to physical shock. Improper handling can cause damages and permanent loss of data.
- Before removing the drive, suggest the customer to backup all the information on it if possible.
- Never remove the drive while the system is operating or is in suspend mode.

Figure 3. Removal steps of hard disk drive

Detach HDD connector in the direction shown by arrow .

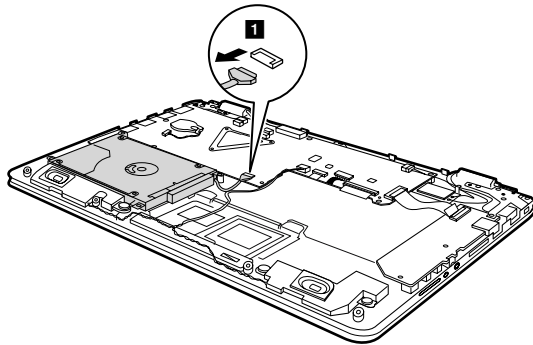
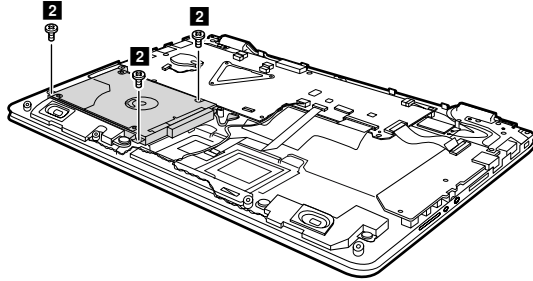


Figure 3. Removal steps of hard disk drive (continued)

Remove the frame fixing screws **2**.



Step	Screw (quantity)	Color	Torque
2	M2 × 4 mm, flat-head, nylok-coated (3) HDD to Upper	Black	1.8 kg ^{cm}

Remove the hard disk drive in the direction shown by arrow **3**.

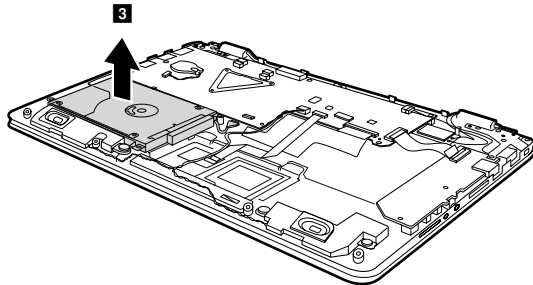
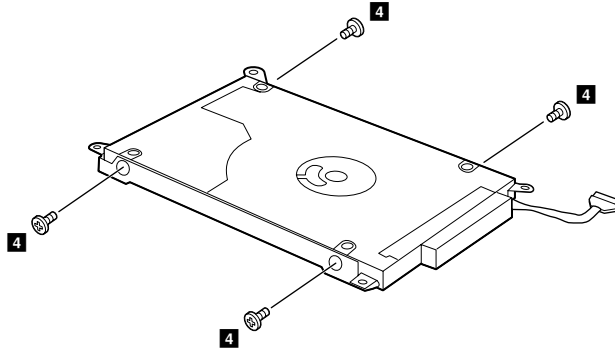


Figure 3. Removal steps of hard disk drive (continued)

Remove four screws **4** and detach the metal frame from the hard disk drive.



Step	Screw (quantity)	Color	Torque
4	M3.0 × 3.0 mm, flat-head, nylokcoated (4) HDD to HDD BRKT	Black	3.0~3.5 kgfcm

When installing: Make sure that the HDD connector is attached firmly.

1040 PCI Express Mini Card for wireless LAN

For access, remove these FRUs in order:

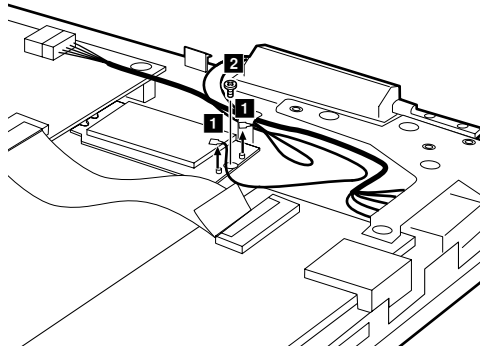
- “1010 Base cover” on page 34
- “1020 Battery pack” on page 36

Important:

- The preinstalled WLAN module may only be replaced with a Lenovo approved module in order to comply with FCC and IC regulations. Refer to “Overall” on page 60 for Lenovo part numbers for the approved modules.

Figure 4. Removal steps of PCI Express Mini Card for wireless LAN

Disconnect the two wireless LAN cables (black, white) ■, and then remove the screw **2**.



Step	Screw (quantity)	Color	Torque
2	M2 × 3 mm, flat-head, nylok-coated (1) WLAN to Upper	Black	1.8 kgf*cm

Remove the card in the direction shown by arrow **3**.

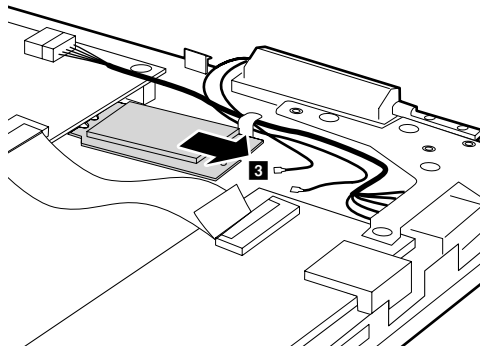


Figure 4. Removal steps of PCI Express Mini Card for wireless LAN (continued)

In step ■, unplug the jacks by using the removal tool antenna RF connector (P/N: 08K7159), or pick up the connectors with your fingers and gently unplug them in the direction shown by the arrows.

Notes: The wireless LAN card has 2 cables in step ■.

The wireless LAN card in some models might have 3 cables in step ■.

When installing:

- In models with a wireless LAN card that has two antenna connectors, plug the black cable (1st) (MAIN) into the jack labeled 1, and the white cable (2nd) (AUX) into jack labeled 2 on the card.
- In models with a wireless LAN card that has three antenna connectors, plug the black cable (1st) (MAIN) into the jack labeled 1, the grey cable (3rd) into jack labeled 3, and the white cable (2nd) (AUX) into jack labeled 2 on the card.

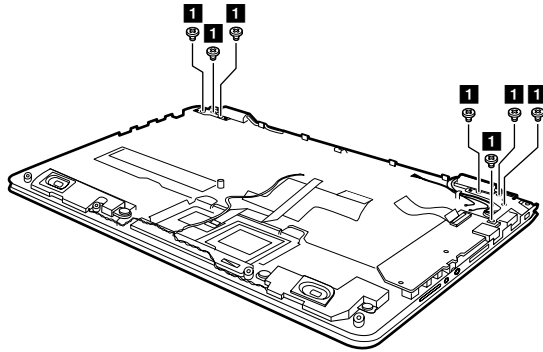
1050 LCD unit

For access, remove these FRUs in order:

- “1010 Base cover” on page 34
- “1020 Battery pack” on page 36

Figure 5. Removal steps of LCD unit

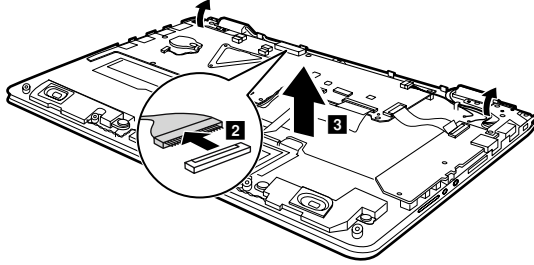
Remove the screws **■**.



Step	Screw (quantity)	Color	Torque
■	M2.5 × 5 mm, flat-head, nylok-coated (7) Hinge to Upper	Black	3.0 kgf*cm

Figure 5. Removal steps of LCD unit (continued)

Open the hinges, detach LCD cable connector in the direction shown by arrow **2**, then remove the upper case from the LCD unit in the direction shown by arrow **3**.



1060 System board

Important notices for handling the system board:

When handling the system board, bear the following in mind.

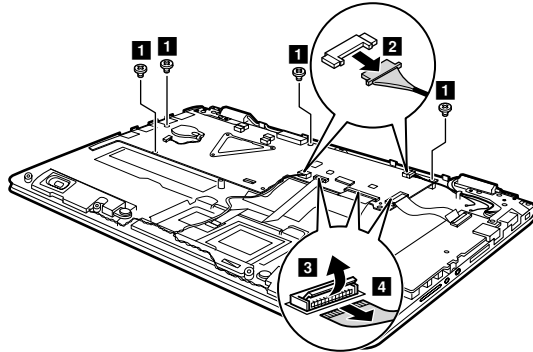
- Be careful not to drop the system board on a bench top that has a hard surface, such as metal, wood, or composite.
- Avoid rough handling of any kind.
- During the whole process, make sure not to drop or stack the system board.
- If you put a system board down, make sure to put it only on a padded surface, such as an ESD mat or conductive corrugated material.

For access, remove these FRUs in order:

- “1010 Base cover” on page 34
- “1020 Battery pack” on page 36
- “1030 Hard disk drive” on page 37
- “1040 PCI Express Mini Card for wireless LAN and SSD card” on page 40
- “1050 Fan assembly and heat sink assembly” on page 42

Figure 6. Removal steps of system board

Remove screws **1**. Unplug speakers connector and DC-IN connector in the direction shown by arrow **2**. Detach touch pad connector, keyboard and IO board connectors in the directions shown by arrows **3** and **4**.

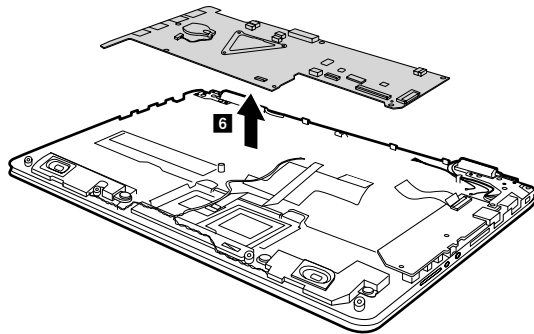


When installing: Make sure that all the connectors are attached firmly

Step	Screw (quantity)	Color	Torque
1	M2 × 4 mm, flat-head, nylok-coated (4) MB to Upper	Black	1.8 kgf·cm

Figure 6. Removal steps of system board (continued)

Remove the system board in the direction shown by arrow **6**.



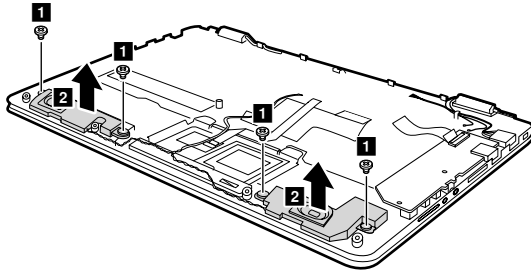
1070 Speakers

For access, remove these FRUs in order:

- “1010 Base cover” on page 34
- “1020 Battery pack” on page 36
- “1030 Hard disk drive” on page 37
- “1040 PCI Express Mini Card for wireless LAN and SSD card” on page 40
- “1050 Fan assembly and heat sink assembly” on page 42
- “1060 System board” on page 44

Figure 7. Removal steps of speakers

Remove screws **1**. Lift the speakers in the direction shown by arrows **2**.



Step	Screw (quantity)	Color	Torque
1	M2 × 1.7 mm, flat-head, nylok-coated (4) Thermal module to FAN	Black	1.8 kg*cm

When installing: Make sure that the connector is attached firmly.

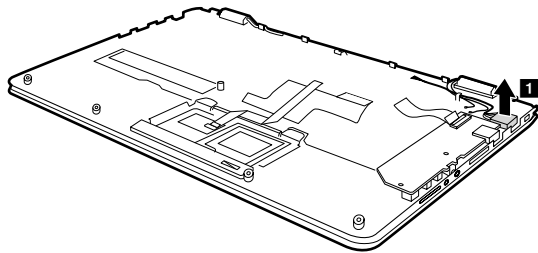
1080 Power assembly, Touchpad module and IO board

For access, remove these FRUs in order:

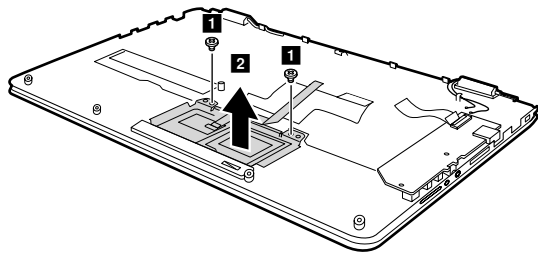
- “1010 Base cover” on page 34
- “1020 Battery pack” on page 36
- “1030 Hard disk drive” on page 37
- “1040 PCI Express Mini Card for wireless LAN and SSD card” on page 40
- “1050 Fan assembly and heat sink assembly” on page 42
- “1060 System board” on page 44
- “1070 Speakers” on page 47

Figure 8. Removal steps of power assembly, touchpad module and IO board

Remove the power assembly in the direction shown by arrow **1**.

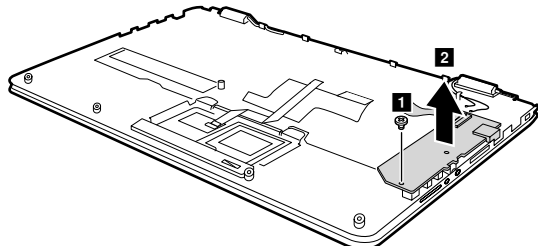


Remove screws **1**, and then remove the touchpad module in the direction shown by arrow **2**.



Step	Screw (quantity)	Color	Torque
1	M2 × 3 mm, flat-head, nylok-coated (2)	Black	1.8 kgf*cm

Remove screw **1**, then remove the IO board in the direction shown by arrow **2**.



Step	Screw (quantity)	Color	Torque
1	M2 × 4 mm, flat-head, nylok-coated (1)	Black	1.8 kgf*cm

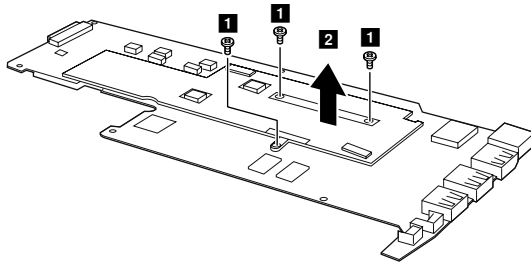
1090 Heat sink assembly

For access, remove these FRUs in order:

- “1010 Base cover” on page 34
- “1020 Battery pack” on page 36
- “1030 Hard disk drive” on page 37
- “1040 PCI Express Mini Card for wireless LAN and SSD card” on page 40
- “1050 Fan assembly and heat sink assembly” on page 42
- “1060 System board” on page 44
- “1070 Speakers” on page 47
- “1080 LCD unit” on page 48

Figure 9. Removal steps of heat sink assembly

Loosen the screws **1**. Lift the heat sink assembly in the direction shown by arrow **2**.



Step	Screw (quantity)	Color	Torque
1	M2 × 3 mm, flat-head, nylok-coated (3) Thermal module to CPU BRK	Black	1.8 kg*cm

Attention: Do not handle the heat sink assembly roughly. Improper handling can cause distortion or deformation and imperfect contact with components.

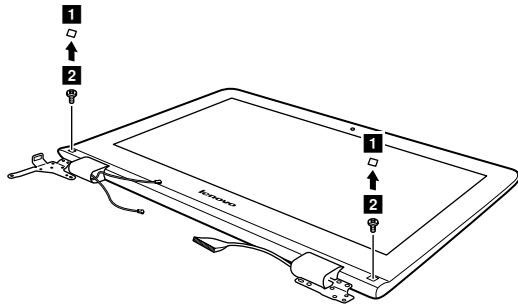
1100 LCD front cover

For access, remove these FRUs in order:

- “1010 Base cover” on page 34
- “1020 Battery pack” on page 36
- “1030 Hard disk drive” on page 37
- “1040 PCI Express Mini Card for wireless LAN and SSD card” on page 40
- “1050 Fan assembly and heat sink assembly” on page 42
- “1060 System board” on page 44
- “1070 Speakers” on page 47
- “1080 LCD unit” on page 48
- “1090 Power assembly” on page 49

Figure 10. Removal steps of LCD front cover

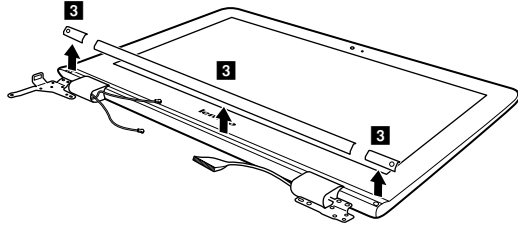
Remove LCD bezel screw pad **1** and the screws **2**.



Step	Screw (quantity)	Color	Torque
2	M2 × 4 mm, flat-head, nylok-coated (2) LCD Hinge Cap to LCD cover	Black	1.8 kgf*cm

Figure 10. Removal steps of LCD front cover (continued)

Remove the hinge cover and strip cover in the direction shown by arrows **3**.



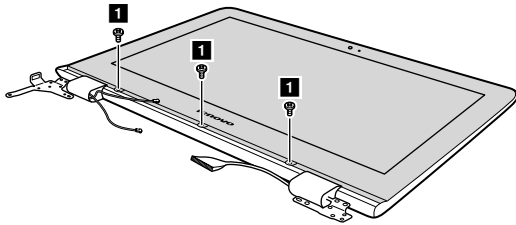
1110 LCD panel, LCD cable, and hinges

For access, remove these FRUs in order:

- “1010 Base cover” on page 34
- “1020 Battery pack” on page 36
- “1030 Hard disk drive” on page 37
- “1040 PCI Express Mini Card for wireless LAN and SSD card” on page 40
- “1050 Fan assembly and heat sink assembly” on page 42
- “1060 System board” on page 44
- “1070 Speakers” on page 47
- “1080 LCD unit” on page 48
- “1090 Power assembly” on page 49
- “1100 LCD front cover” on page 50

Figure 11. Removal steps of LCD panel, LCD cable, and hinges

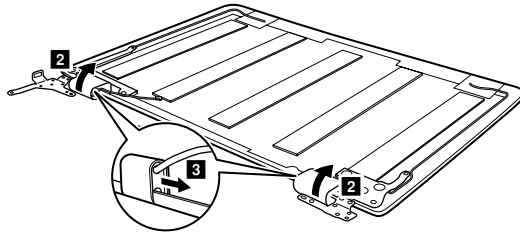
Remove screws **■**.



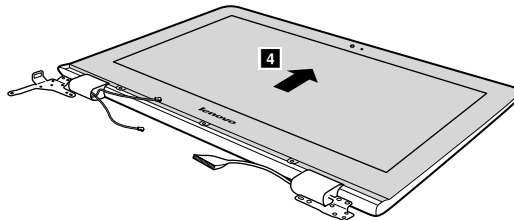
Step	Screw (quantity)	Color	Torque
■	M2.5 × 4 mm, flat-head, nylok-coated (3)	Black	3.0 kgf*cm

Figure 11. Removal steps of LCD panel, LCD cable, and hinges (continued)

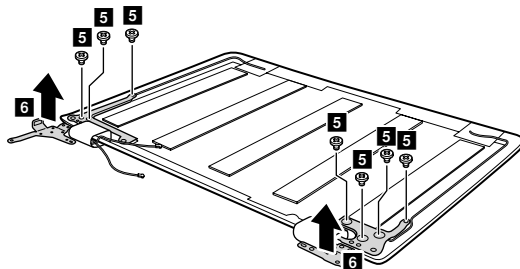
Adjust the hinges in the direction shown by arrows **2**. Then remove the hinge rubbers **3** and pull out the cables.



Remove the LCD module in the direction shown by arrow **4**.



Remove the screws **5**, then remove the hinges in the directions shown by arrows **6**.




Step	Screw (quantity)	Color	Torque
■	M2.0 × 3 mm, flat-head, nylok-coated (2)	Black	1.8 kgf*cm
	M2.5 × 2.5 mm, flat-head, nylok-coated (5)	Black	3.0 kgf*cm

1120 LCD module

For access, remove these FRUs in order:

- “1010 Base cover” on page 34
- “1020 Battery pack” on page 36
- “1030 Hard disk drive” on page 37
- “1040 PCI Express Mini Card for wireless LAN and SSD card” on page 40
- “1050 Fan assembly and heat sink assembly” on page 42
- “1060 System board” on page 44
- “1070 Speakers” on page 47
- “1080 LCD unit” on page 48
- “1090 Power assembly” on page 49
- “1100 LCD front cover” on page 50
- “1110 Mic board, LCD cover, and hinges” on page 52

Figure 12. Removal steps of LCD module

Detach the connector in the direction shown by arrow . Then remove the LCD cable.

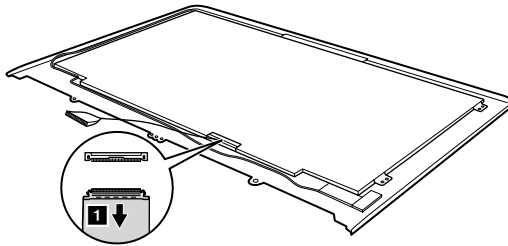
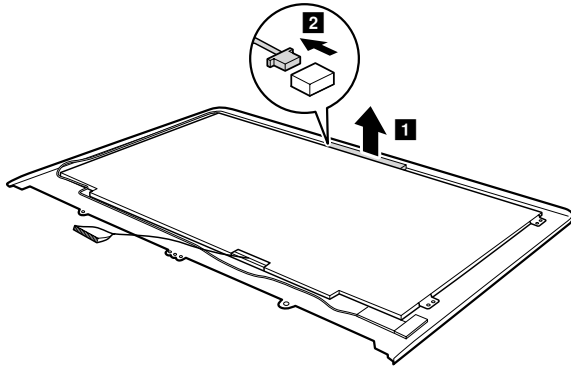


Figure 12. Removal steps of LCD module (continued)

Lift the camera slightly **1**. Unplug the integrated camera connector in the direction shown by arrow **2**. Remove the integrated camera from the LCD module.



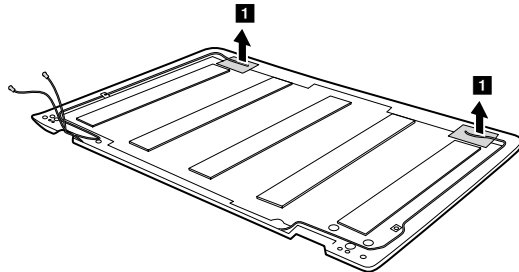
1130 Antenna assembly and LCD cover

For access, remove these FRUs in order:

- “1010 Base cover” on page 34
- “1020 Battery pack” on page 36
- “1030 Hard disk drive” on page 37
- “1040 PCI Express Mini Card for wireless LAN and SSD card” on page 40
- “1050 Fan assembly and heat sink assembly” on page 42
- “1060 System board” on page 44
- “1070 Speakers” on page 47
- “1080 LCD unit” on page 48
- “1090 Power assembly” on page 49
- “1100 LCD front cover” on page 50
- “1110 Mic board, LCD cover, and hinges” on page 52
- “1120 LCD module” on page 54

Figure 13. Removal steps of antenna assembly and LCD cover

Peel off the adhesive tapes securing the antenna boards, release the cables from the cable guide, and then remove the antenna assembly in the direction shown by arrows **1**.



When installing: Route the antenna cables along the cable guides and secure the antenna boards with adhesive tapes. As you route the cables, make sure that they are not subjected to any tension. Tension could cause the cables to be damaged by the cable guides, or a wire to be broken.

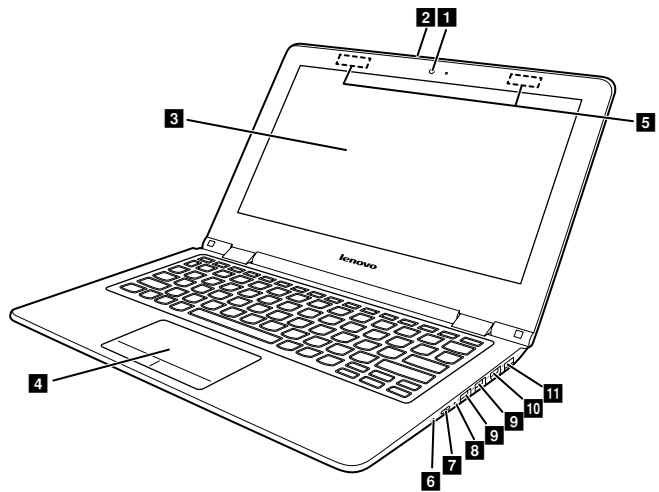
Locations

Front view and right-side view

- 1 Integrated camera (on select models)
- 2 Built-in microphones
- 3 Multi-touch screen
- 4 Touch pad
- 5 Wireless LAN antennas
- 6 Battery status indicator

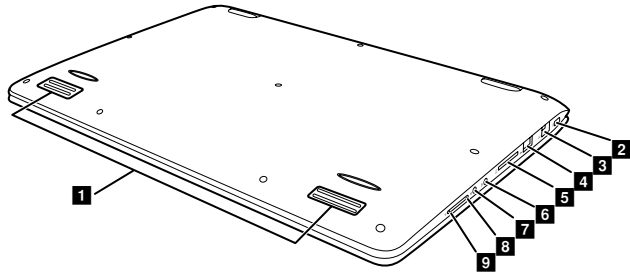
Note: For the description of each indicator, see “Status indicators” on page 30.

- 7 Power button and power status indicator
- 8 Novo button
- 9 USB port
- 10 HDMI port
- 11 RJ-45 port



Bottom and Left-side view

- 1** Speakers
- 2** Kensington slot
- 3** AC power adapter jack
- 4** USB port
- 5** Memory card slot
- 6** Combo audio jack
- 7** Rotation lock button
- 8** Volume down button
- 9** Volume up button



Parts list

This section presents the following service parts:

- “Overall” on page 60
- “LCD FRUs” on page 64
- “Keyboard” on page 66
- “Miscellaneous parts” on page 68
- “Screw” on page 68
- “AC adapters” on page 69
- “Power cords” on page 70

Notes:

- Each FRU is available for all types or models, unless specific types or models are specified.

Overall

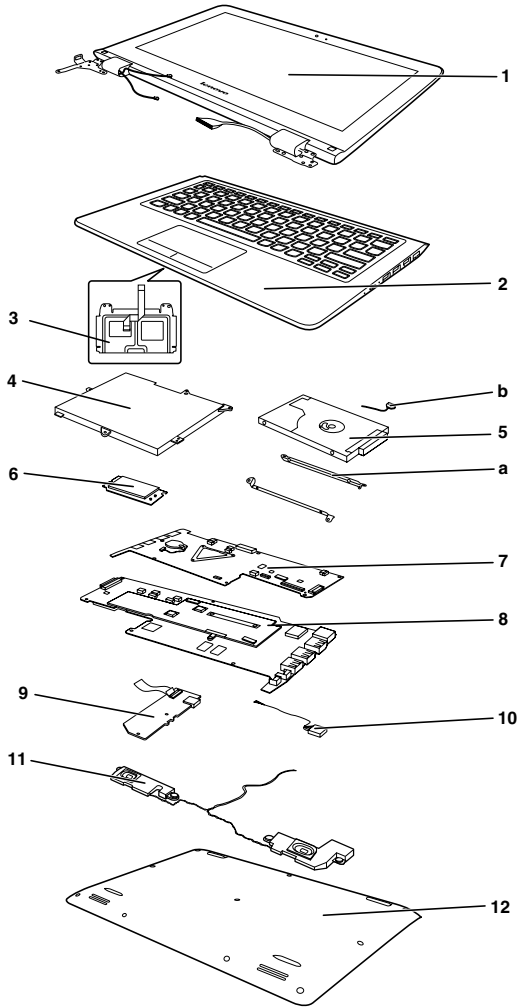


Table 4. Parts list—Overall

No.	FRU	FRU no.	CRU ID.
a-b	See "Miscellaneous parts" on page 70.		
1	LCD unit (see "LCD FRUs" on page 65.)		N
2	Upper Case Flex3-1120 W/KB US	5CB0J08356	N
2	Upper Case Flex3-1120 W/KB UK	5CB0J08448	N
2	Upper Case Flex3-1120 W/KB IT	5CB0J08342	N
2	Upper Case Flex3-1120 W/KB SP	5CB0J08369	N
2	Upper Case Flex3-1120 W/KB TR	5CB0J08396	N
2	Upper Case Flex3-1120 W/KB TI	5CB0J08422	N
2	Upper Case Flex3-1120 W/KB PO	5CB0J08453	N
2	Upper Case Flex3-1120 W/KB LA	5CB0J08345	N
2	Upper Case Flex3-1120 W/KB EF	5CB0J08372	N
2	Upper Case Flex3-1120 W/KB KO	5CB0J08398	N
2	Upper Case Flex3-1120 W/KB TC	5CB0J08427	N
2	Upper Case Flex3-1120 W/KB RU	5CB0J08455	N
2	Upper Case Flex3-1120 W/KB FR	5CB0J08346	N
2	Upper Case Flex3-1120 W/KB GR	5CB0J08373	N
2	Upper Case Flex3-1120 W/KB ARE	5CB0J08403	N
2	Upper Case Flex3-1120 W/KB BZ	5CB0J08430	N
2	Upper Case Flex3-1120 W/KB JA	5CB0J08457	N
2	Upper Case Flex3-1120 W/KB NL	5CB0J08350	N
2	Upper Case Flex3-1120 W/KB GK	5CB0J08375	N
2	Upper Case Flex3-1120 W/KB HE	5CB0J08401	N
2	Upper Case Flex3-1120 W/KB HG	5CB0J08429	N
2	Upper Case Flex3-1120 W/KB ND	5CB0J08456	N
2	Upper Case Flex3-1120 W/KB BE	5CB0J08353	N
2	Upper Case Flex3-1120 W/KB ICE	5CB0J08379	N
2	Upper Case Flex3-1120 W/KB SA	5CB0J08405	N
2	Upper Case Flex3-1120 W/KB SW	5CB0J08431	N
2	Upper Case Flex3-1120W/KB US INT'E	5CB0J08378	N
2	Upper Case Flex3-1120 W/KB CZSK	5CB0J08404	N
2	Upper Case Flex3-1120 W/KB BU	5CB0J08432	N
2	Upper Case Flex3-1120 W/KB INDIA	5CB0J08329	N
2	Upper Case Flex3-1120 W/KB FR+AR	5CB0J08352	N
3	Touchpad, S8959A 22H7 59x89x0.5 0.5 SMB	5T60J07892	N
3	Touchpad B Flex3-1120 W/Cable	5T60J08395	N
4	Battery, SP/A L14M2P22 7.4V30Wh2cell	5B10H09630	N
4	Battery, SP/C L14M2P22 7.4V30Wh2cell	5B10H09632	N
4	Battery, SY L14S2P21 7.4V30Wh2cell	5B10H11758	N
5	HDD, WD2500LPCX-24C6HT0	5H20G68692	N
5	HDD, ST500LT012 6G 7mm 5.4K 500G HDD	16200383	N
5	HDD, WD5000LPCX-24C6HT0 6G 7mm 5.4K 500G HDD	16200395	N
5	HDD, TSB MQ01ABF050 6G 7mm 5.4K 500G HDD	16200433	N
5	HDD, WD10SPCX-24HWST1 6G 7mm 1T HDD	16200554	N

Table 4. Parts list—Overall (continued)

No.	FRU	FRU no.	CRU ID.
5	HDD, HTS541010A7E630 7mm 5400rpm 1T HDD	16200658	
5	HDD, TSB MQ02ABF100 6G 1TB(QS:B/Sep.)	5H20G09709	N
5	HDD, ST500LM000 6G 7mm 500G+8G SSHD	16200391	N
5	HDD, Seagate KahunaR ST500LM000 7mm 5.4K 500G+8G SSHD	5H20H24608	N
6	WirelessLan_Non_Intel, Ltn NFA335 1x1BN+BT4.0 PCIE M.2 WLAN	20200558	N
6	WirelessLan_Non_Intel, Cbt BCM43142 1x1BN+BT4.0 PCIE M.2 WLAN	20200557	N
6	WirelessLan_Non_Intel, Cbt RTL8723BE 1x1BN+BT4.0 PCIE M.2 WLAN	20200570	N
6	WirelessLan_Intel, Intel WP1 ac M.2 ROM	SW10A11511	N
6	WirelessLan_Intel, Intel 3160 1x1AC+BT PCIE M.2 ROM WLAN INA	SW10A11514	N
7	MB B Flex3-1120 NOK N2840 2G	5B20J08419	N
7	MB B Flex3-1120 W8S N2840 2G	5B20J08340	N
7	MB B Flex3-1120 W8P N2840 2G	5B20J08371	N
7	MB B Flex3-1120 NOK N2840 2G 32G	5B20J08402	N
7	MB B Flex3-1120 W8S N2840 2G 32G	5B20J08434	N
7	MB B Flex3-1120 W8P N2840 2G 32G	5B20J08333	N
7	MB B Flex3-1120 NOK N2840 2G 64G	5B20J08361	N
7	MB B Flex3-1120 W8S N2840 2G 64G	5B20J08392	N
7	MB B Flex3-1120 W8P N2840 2G 64G	5B20J08423	N
7	MB B Flex3-1120 NOK N2840 4G	5B20J08454	N
7	MB B Flex3-1120 W8S N2840 4G	5B20J08351	N
7	MB B Flex3-1120 W8P N2840 4G	5B20J08382	N
7	MB B Flex3-1120 NOK N2840 4G 32G	5B20J08408	N
7	MB B Flex3-1120 W8S N2840 4G 32G	5B20J08458	N
7	MB B Flex3-1120 W8P N2840 4G 32G	5B20J08354	N
7	MB B Flex3-1120 NOK N2840 4G 64G	5B20J08389	N
7	MB B Flex3-1120 W8S N2840 4G 64G	5B20J08421	N
7	MB B Flex3-1120 W8P N2840 4G 64G	5B20J08452	N
7	MB B Flex3-1120 NOK N2840 8G	5B20J08348	N
7	MB B Flex3-1120 W8S N2840 8G	5B20J08409	N
7	MB B Flex3-1120 W8P N2840 8G	5B20J08437	N
7	MB B Flex3-1120 NOK N2840 8G 32G	5B20J08336	N
7	MB B Flex3-1120 W8S N2840 8G 32G	5B20J08367	N
7	MB B Flex3-1120 W8P N2840 8G 32G	5B20J08412	N
7	MB B Flex3-1120 NOK N2840 8G 64G	5B20J08443	N
7	MB B Flex3-1120 W8S N2840 8G 64G	5B20J08370	N
7	MB B Flex3-1120 W8P N2840 8G 64G	5B20J08400	N

Table 4. Parts list—Overall (continued)

No.	FRU	FRU no.	CRU ID.
7	MB B Flex3-1120 NOK N2940 2G	5B20J08438	N
7	MB B Flex3-1120 W8S N2940 2G	5B20J08335	N
7	MB B Flex3-1120 W8P N2940 2G	5B20J08363	N
7	MB B Flex3-1120 NOK N2940 2G 32G	5B20J08393	N
7	MB B Flex3-1120 W8S N2940 2G 32G	5B20J08426	N
7	MB B Flex3-1120 W8P N2940 2G 32G	5B20J08459	N
7	MB B Flex3-1120 NOK N2940 2G 64G	5B20J08355	N
7	MB B Flex3-1120 W8S N2940 2G 64G	5B20J08384	N
7	MB B Flex3-1120 W8P N2940 2G 64G	5B20J08413	N
7	MB B Flex3-1120 NOK N2940 4G	5B20J08444	N
7	MB B Flex3-1120 W8S N2940 4G	5B20J08357	N
7	MB B Flex3-1120 W8P N2940 4G	5B20J08385	N
7	MB B Flex3-1120 NOK N2940 4G 32G	5B20J08416	N
7	MB B Flex3-1120 W8S N2940 4G 32G	5B20J08446	N
7	MB B Flex3-1120 W8P N2940 4G 32G	5B20J08343	N
7	MB B Flex3-1120 NOK N2940 4G 64G	5B20J08376	N
7	MB B Flex3-1120 W8S N2940 4G 64G	5B20J08406	N
7	MB B Flex3-1120 W8P N2940 4G 64G	5B20J08436	N
7	MB B Flex3-1120 NOK N2940 8G	5B20J08334	N
7	MB B Flex3-1120 W8S N2940 8G	5B20J08362	N
7	MB B Flex3-1120 W8P N2940 8G	5B20J08394	N
7	MB B Flex3-1120 NOK N2940 8G 32G	5B20J08425	N
7	MB B Flex3-1120 W8S N2940 8G 32G	5B20J08359	N
7	MB B Flex3-1120 W8P N2940 8G 32G	5B20J08387	N
7	MB B Flex3-1120 NOK N2940 8G 64G	5B20J08420	N
7	MB B Flex3-1120 W8S N2940 8G 64G	5B20J08451	N
7	MB B Flex3-1120 W8P N2940 8G 64G	5B20J08349	N
7	MB B Flex3-1120 NOK N3540 2G	5B20J08380	N
7	MB B Flex3-1120 W8S N3540 2G	5B20J08433	N
7	MB B Flex3-1120 W8P N3540 2G	5B20J08331	N
7	MB B Flex3-1120 NOK N3540 2G 32G	5B20J08360	N
7	MB B Flex3-1120 W8S N3540 2G 32G	5B20J08388	N
7	MB B Flex3-1120 W8P N3540 2G 32G	5B20J08418	N
7	MB B Flex3-1120 NOK N3540 2G 64G	5B20J08449	N
7	MB B Flex3-1120 W8S N3540 2G 64G	5B20J08347	N
7	MB B Flex3-1120 W8P N3540 2G 64G	5B20J08383	N
7	MB B Flex3-1120 NOK N3540 4G	5B20J08411	N
7	MB B Flex3-1120 W8S N3540 4G	5B20J08439	N
7	MB B Flex3-1120 W8P N3540 4G	5B20J08337	N
7	MB B Flex3-1120 NOK N3540 4G 32G	5B20J08366	N
7	MB B Flex3-1120 W8S N3540 4G 32G	5B20J08397	N
7	MB B Flex3-1120 W8P N3540 4G 32G	5B20J08428	N
7	MB B Flex3-1120 NOK N3540 4G 64G	5B20J08330	N
7	MB B Flex3-1120 W8S N3540 4G 64G	5B20J08358	N
7	MB B Flex3-1120 W8P N3540 4G 64G	5B20J08386	N
7	MB B Flex3-1120 NOK N3540 8G	5B20J08415	N
7	MB B Flex3-1120 W8S N3540 8G	5B20J08445	N
7	MB B Flex3-1120 W8P N3540 8G	5B20J08339	N

Table 4. Parts list—Overall (continued)

No.	FRU	FRU no.	CRU ID.
7	MB B Flex3-1120 NOK N3540 8G 32G	5B20J08381	N
7	MB B Flex3-1120 W8S N3540 8G 32G	5B20J08410	N
7	MB B Flex3-1120 W8P N3540 8G 32G	5B20J08441	N
7	MB B Flex3-1120 NOK N3540 8G 64G	5B20J08344	N
7	MB B Flex3-1120 W8S N3540 8G 64G	5B20J08377	N
7	MB B Flex3-1120 W8P N3540 8G 64G	5B20J08407	N
8	Thermal Module B Flex3-1120 W/F	5H40J08440	N
9	I/O Board B Flex3-1120 W/Cable	5C50J08435	N
10	DC-IN Cable B Flex3-1120	5C10J08399	N
11	Speaker B Flex3-1120	5SB0J08450	N
12	Lower Case B Flex3-1120 Black	5CB0J08338	N
12	Lower Case B Flex3-1120 White	5CB0J08364	N

LCD FRUs

In Lenovo Yoga 300, the type of LCD is 11.6-inch high definition (HD).

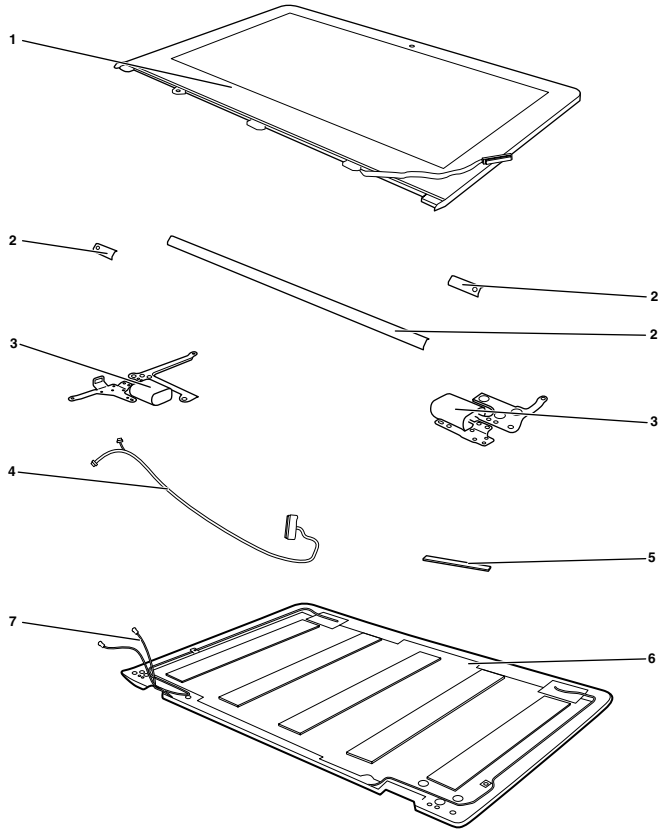


Table 5. Parts list—11.6-inch LCD FRUs

No.	FRU	FRU no.	CRU ID.
1	LCD Module B Flex3-1120	5D10J08414	N
2	Bezel Cover B Flex3-1120W/Screw Pad	5CB0J08391	N
3	Hinge B Flex3-1120 W/Rubber	5H50J08417	N
4	LCD Cable B Flex3-1120	5C10J08374	N
5	Camera B Flex3-1120 0.3m	5C20J08447	N
5	Camera B Flex3-1120 HD 720P	5C20J08341	N
5	Camera, BIS BNC716YTK HD NB camera	5C20G89270	N
5	Camera, AVC HAA-6D0F04 HD NB camera	5C20G89271	N
5	Camera, CCY CNFEH37 HD NB camera	5C20G89265	N
5	Camera, BIS BNC7VTKTD 0.3M NB camera	5C20G89273	N
5	Camera, LTN 4SF015N2 0.3M NB camera	5C20G89274	N
5	Camera, AVC HAA-584B01 0.3M NB camera	5C20G89267	N
6	LCD Cover B Flex3-1120 Black	5CB0J08365	N
6	LCD Cover B Flex3-1120 White	5CB0J08390	N
7	Antenna B Flex3-1120 Main+AUX	5A30J08442	N

Keyboard

Table 6. Parts list—Keyboard

Language		P/N	CRU ID.
Chicony KB (Black)	English	SN20H02950	N
	U.K. English	SN20H02898	N
	Italian	SN20H02907	N
	Spanish	SN20H02916	N
	Turkish	SN20H02926	N
	Thai	SN20H02933	N
	Portuguese	SN20H02943	N
	Latin	SN20H02951	N
	Canadian Bilingual (En+Fr)	SN20H02870	N
	Korean	SN20H02876	N
	Traditional Chinese	SN20H02883	N
	Russian	SN20H02892	N
	French	SN20H02899	N
	German	SN20H02932	N
	Arabic	SN20H02941	N
	Brazilian	SN20H02885	N
	Japanese	SN20H02895	N
	Dutch	SN20H02905	N
	Greek	SN20H02910	N
	Hebrew	SN20H02920	N
	Hungarian	SN20H02929	N
	Four Nordic countries	SN20H02937	N
	Belgian	SN20H02945	N
	Icelandic	SN20H02953	N
	Slovenian	SN20H02871	N
	Swiss	SN20H02918	N
	US international	SN20H02927	N
	Czech&Slovak	SN20H02900	N
	Bulgarian	SN20H02912	N
	India	SN20H02919	N
French-Arabic	SN20H31181	N	

Table 6. Parts list—Keyboard (continued)

Language		P/N	CRU ID.
Sunrex KB (Black)	English	SN20H02936	N
	U.K. English	SN20H02942	N
	Italian	SN20H02947	N
	Spanish	SN20H02954	N
	Turkish	SN20H02872	N
	Thai	SN20H02879	N
	Portuguese	SN20H02886	N
	Latin	SN20H02922	N
	Canadian Bilingual (En+Fr)	SN20H02938	N
	Korean	SN20H02944	N
	Traditional Chinese	SN20H02952	N
	Russian	SN20H02868	N
	French	SN20H02878	N
	German	SN20H02884	N
	Arabic	SN20H02891	N
	Brazilian	SN20H02903	N
	Dutch	SN20H02914	N
	Greek	SN20H02924	N
	Hebrew	SN20H02928	N
	Hungarian	SN20H02890	N
	Four Nordic countries	SN20H02902	N
	Belgian	SN20H02911	N
	Icelandic	SN20H02921	N
	Slovenian	SN20H02930	N
	Swiss	SN20H02939	N
	US international	SN20H02880	N
	Czech&Slovak	SN20H02948	N
Bulgarian	SN20H02867	N	
India	SN20H02873	N	
French-Arabic	SN20H31179	N	

Language		P/N	CRU ID.
Dafon KB (Black)	English	SN20H02875	N
	U.K. English	SN20H02877	N
	Italian	SN20H02882	N
	Spanish	SN20H02889	N
	Turkish	SN20H02896	N
	Thai	SN20H02906	N
	Portuguese	SN20H02913	N
	Latin	SN20H02923	N
	Canadian Bilingual (En+Fr)	SN20H02931	N
	Korean	SN20H02940	N
	Traditional Chinese	SN20H02946	N
	Russian	SN20H02949	N
	French	SN20H02866	N
	German	SN20H02869	N
	Arabic	SN20H02874	N
	Brazilian	SN20H02881	N
	Japanese	SN20H02887	N
	Dutch	SN20H02894	N
	Greek	SN20H02901	N
	Hebrew	SN20H02908	N
	Hungarian	SN20H02915	N
	Four Nordic countries	SN20H02925	N
	Belgian	SN20H02935	N
	Icelandic	SN20H02893	N
	Slovenian	SN20H02904	N
	Swiss	SN20H02909	N
	US international	SN20H02917	N
	Czech&Slovak	SN20H02888	N
	Bulgarian	SN20H02897	N
	India	SN20H02934	N
French-Arabic	SN20H31180	N	

Miscellaneous parts

Table 7. Parts list—Miscellaneous parts

FRU	P/N	CRU ID.
System miscellaneous parts: • (a) HDD Bracket B Flex3-1120	5B40J08368	N
Cable miscellaneous parts: • (b) HDD Cable B Flex3-1120 Note: Italicized letters in parentheses are references to the exploded view in "Overall" on page 60.	5C10J08424	

Screw

Table 8. Parts list—screws

FRU	P/N	CRU ID.
Screw Pack B Flex3-1120	5S10J08332	N

AC adapters

Table 9. Parts list—AC adapters

FRU	P/N	CRU ID.
Adapter, Delta ADLX45NDC3A 20V2.25A adap(CMN),45W	36200602	*
Adapter, Liteon ADLX45NLC3A 20V2.25A adap(CMN),45W	36200606	*
Adapter, Chicony ADLX45NCC3A 20V2.25A adap(CMN),45W	36200610	*

Power cords

A Lenovo power cord for a specific country or region is usually available only in that country or region:

Table 10. Parts list—3-pin power cords

Region	P/N	CRU ID.
CCC • LINETEK PC323+RVV300/300+LS15 1m	145000600	*
Argentina • LINETEK LS15+H03VV-F+LP39 1m	145000599	*
Denmark • LINETEK LS15+H03VV-F+LP-38 1m	145000598	*
Switzerland • LINETEK LS15+H03VV-F+LP-37 1m	145000597	*
Brazil • LINETEK LS15 H03VV-F LP26A 1m	145000596	*
Israel • LINETEK LS15+H03VV-F+LP-41 1m	145000595	*
UL • LINETEK LP-30B + SPT-2 + LS15 1m	145000594	*
UK • LINETEK LP-61L+ H03VV-F+ LS15 1m	145000593	*
Indian • LINETEK PE-361+ H05VV-F+ LS15 1m	145000592	*
Italy • LINETEK LS15+H03VV-F+PE-336 1m	145000591	
Korea • LINETEK LS15+H05VV-F+LP-E04A 1m	145000590	*
Australia • LINETEK LS15+H03VV-F+LP-23A 1m	145000589	*
Taiwan • LINETEK LS15+VCTF+LP-53 1m	145000588	*
Japan • LINETEK LS15+VCTF+LP-54 1m	145000587	*
Africa • LINETEK LS15+H03VV-F+PE-364 1m	145000586	*
CE • LINETEK LP-34+H03VV-F + LS15 1m	145000585	*
CCC • Longwell LSG-31+RVV300/300+LS-18 1m	145000568	*
Argentina • Longwell LP-24+H03VV-F+LS-18 1m	145000567	*
Denmark • Longwell LP-40+H03VV-F+LS-18 1m	145000566	*
Switzerland • Longwell LP-37+H03VV-F+LS-18 1m	145000565	*
Brazil • Longwell LP-46+H03VV-F+LS-18 1m	145000564	*

Table 10. Parts list—3-pin power cords (continued)

Region	P/N	CRU ID.
Israel • Longwell LP-41+H03VV-F+LS-18 1m	145000563	*
UL • Longwell LP-30B+SPT-2 18AWG+LS-18 1m	145000562	*
UK • Longwell LP-61L+H03VV-F+LS-18 1m	145000561	*
Indian • Longwell LP-67+BIS+LS-18 1m	145000560	*
Italy • Longwell LP-22+H03VV-F+LS-18 1m	145000559	*
Korea • Longwell LP-486+KTLH03VV-F+LS-5 1m	145000558	*
Australia • Longwell LP-23A+LFC-3R+LS-18 1m	145000557	*
Taiwan • Longwell LP-71+VCTF+LS-33 1m	145000556	*
Japan • Longwell LP-54+VCTF+LS-18 1m	145000555	*
Africa • Longwell LP-39+H03VV-F+LS-18 1m	145000554	*
CE • Longwell LP-34A+H03VV-F+LS-18 1m	145000553	*
CCC • VOLEX GB10S3+RVV 300/500+VAC5S 1m	145000538	*
UL • Volex US15S3+SPT-2 +VAC5S 1m	145000537	*
Italy • VOLEX IT10S3+H03VV-F+VAC5S 1m	145000535	*
Denmark • VOLEX MP233D+H03VV-F+VAC5S 1m	145000534	*
Korea • VOLEX M2511+KETI IEC+VAC5S 1m	145000533	*
Australia • VOLEX AU10S3+H03VV-F+VAC5S 1m	145000532	*
Taiwan • VOLEX TW15CS3+VCTF+VAC5S 1m	145000531	*
Japan • VOLEX VAC5S+VCTF+M755 1m	145000530	*
Argentina • VOLEX VA2073+H03VV-F+VAC5S 1m	145000528	*
Brazil • VOLEX CH10S3+H03VV-F+VAC5S 1m	145000527	*
Israel • VOLEX SI16S3+H03VV-F+VAC5S 1m	145000526	*

Table 10. Parts list—3-pin power cords (continued)

Region	P/N	CRU ID.
CE • VOLEX M2511+H03VV-F+VAC5S 1m	145000525	*
Switzerland • VOLEX MP232+H03VV-F+VAC5S 1m	145000524	*
UK • VOLEX MP5004+H03VV-F+VAC5S 1m	145000605	*
UK • lux 0031+H03VV-F 0.75/3C+0011 1m	145500000	*
CE • lux 0033+H03VV-F 0.75/3C+0011 1m	145500001	*
UL • lux 0014+SPT-2 60°C 18/3C+0016 1m	145500002	*
CCC • lux 0036+RVV 300/300 0.75/3C+0002 1m	145500003	*
Indian • lux 0046+IS694 0.75/3C+0011 1m	145500004	*
Japan • lux 0018(E)+VCTF 0.75/3C+0021 1m	145500005	*
Australia • lux 0038+H03VV-F 0.75/3C+0011 1m	145500006	*
Taiwan • lux 0019+VCTF 0.75/3C+0021 1m	145500007	*
Korea • lux 0033+H03VV-F 0.75/3C+0011 1m	145500008	*
Italy • lux 0029+H03VV-F 0.75/3C+0011 1m	145500009	*
Africa • lux 0044+H03VV-F 0.75/3C+0011 1m	145500010	*
Brazil • lux 0034+H03VV-F 0.75/3C+0011 1m	145500011	*
Israel • lux 0041+H03VV-F 0.75/3C+0011 1m	145500012	*
Switzerland • lux 0027+H03VV-F 0.75/3C+0011 1m	145500013	*
Denmark • lux 0048+H03VV-F 0.75/3C+0011 1m	145500014	*
Argentina • lux 0040+H03VV-F 0.75/3C+0011 1m	145500015	*

Notices

Lenovo may not offer the products, services, or features discussed in this document in all countries. Consult your local Lenovo representative for information on the products and services currently available in your area. Any reference to a Lenovo product, program, or service is not intended to state or imply that only that Lenovo product, program, or service may be used. Any functionally equivalent product, program, or service that does not infringe any Lenovo intellectual property right may be used instead. However, it is the user's responsibility to evaluate and verify the operation of any other product, program, or service.

Lenovo may have patents or pending patent applications covering subject matter described in this document. The furnishing of this document does not give you any license to these patents.

LENOVO GROUP LTD. PROVIDES THIS PUBLICATION "AS IS" WITHOUT WARRANTY OF ANY KIND, EITHER EXPRESS OR IMPLIED, INCLUDING, BUT NOT LIMITED TO, THE IMPLIED WARRANTIES OF NON-INFRINGEMENT, MERCHANTABILITY OR FITNESS FOR A PARTICULAR PURPOSE. Some jurisdictions do not allow disclaimer of express or implied warranties in certain transactions, therefore, this statement may not apply to you.

This information could include technical inaccuracies or typographical errors. Changes are periodically made to the information herein; these changes will be incorporated in new editions of the publication. Lenovo may make improvements and/or changes in the product(s) and/or the program(s) described in this publication at any time without notice.

The products described in this document are not intended for use in implantation or other life support applications where malfunction may result in injury or death to persons. The information contained in this document does not affect or change Lenovo product specifications or warranties. Nothing in this document shall operate as an express or implied license or indemnity under the intellectual property rights of Lenovo or third parties. All information contained in this document was obtained in specific environments and is presented as an illustration. The result obtained in other operating environments may vary.

Lenovo may use or distribute any of the information you supply in any way it believes appropriate without incurring any obligation to you.

Any references in this publication to non-Lenovo Web sites are provided for convenience only and do not in any manner serve as an endorsement of those Web sites. The materials at those Web sites are not part of the materials for this Lenovo product, and use of those Web sites is at your own risk.

Any performance data contained herein was determined in a controlled environment. Therefore, the result obtained in other operating environments may vary significantly. Some measurements may have been made on development-level systems and there is no guarantee that these measurements will be the same on generally available systems. Furthermore, some measurements may have been estimated through extrapolation. Actual results may vary. Users of this document should verify the applicable data for their specific environment.

Trademarks

The following terms are trademarks or registered trademarks of Lenovo in the United States, other countries, or both.

Lenovo
OneKey

Microsoft and Windows are trademarks of Microsoft Corporation in the United States, other countries, or both.

Other company, products, or service names may be trademarks or service marks of others.