

Serie | 4
**Built-in microwave oven
BFL523MB0B**

**The built-in microwave for the 38 cm niche:
use it for defrosting, heating and the
perfect preparation of food.**

- **Microwave function:** time saving preparation, defrosting and re-heating of dishes.
- **AutoPilot 7:** every dish is a perfect success thanks to 7 pre-set automatic programmes.
- **Electronic door opening:** comfortable door opening
- **LED display control, red:** easy-to-use thanks to the time functions.

Technical Data

| | |
|---|-----------------------|
| Type of micro-wave oven : | MW only |
| Type of control : | Electronic |
| Color / Material Front : | Black |
| Dimensions of the product (mm) : | 382 x 594 x 317 |
| Cavity dimensions (mm) : | 201.0 x 308.0 x 282.0 |
| Length of electrical supply cord (cm) : | 130 |
| Net weight (kg) : | 16.1 |
| Gross weight (kg) : | 18.0 |
| EAN code : | 4242005039128 |
| Maximum micro-wave power (W) : | 800 |
| Connection rating (W) : | 1270 |
| Current (A) : | 10 |
| Voltage (V) : | 230-240 |
| Frequency (Hz) : | 50 |
| Plug type : | GB plug |

Included accessories

1 x Turntable



4 242005 039128

Serie | 4 Microwave oven

Built-in microwave oven

BFL523MB0B

**The built-in microwave for the 38 cm niche:
use it for defrosting, heating and the perfect
preparation of food.**

Design

- LED Display, red display
- Side opening door, left hinged
- Retractable control dials, Start button, Touch controls
- Electronic open button
- Cavity inner surface: Stainless steel
- 25.5 cm Glass turntable

Features

- AutoPilot
 - 1 memory setting
- Automatic safety switch off
 - Door contact switch
- AutoPilot7
- Electronic clock timer
- LED light
- Integral cooling fan

Programmes/functions

- Additional heating methods with microwave: Microwave
- AutoPilot7
- 4 defrost and 3 cooking programmes
- Max. Power: 800 W; 5 Microwave power settings (90 W,180 W,360 W,600 W,800 W)

Standard accessories

- 1 x Turntable

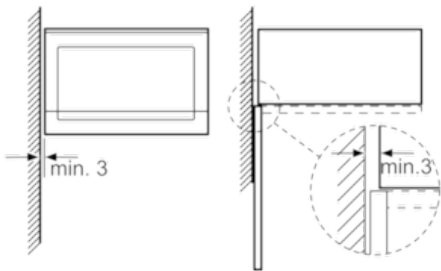
Performance/technical information

- Cavity volume: 20 l
- Turntable distribution
- Length of mains cable: 130 cm
- Total connected load electric: 1.27 KW
- Nominal voltage: 230 - 240 V
- Appliance dimension (hxwxh): 382 mm x 594 mm x 317 mm
- Niche dimension (hxwxh): 362 mm - 365 mm x 560 mm - 568 mm x 300 mm
- Please refer to the dimensions provided in the installation manual

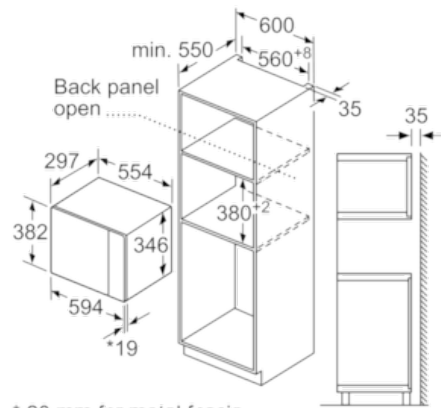
Serie | 4 Microwave oven

Built-in microwave oven BFL523MB0B

Microwave,
corner installation

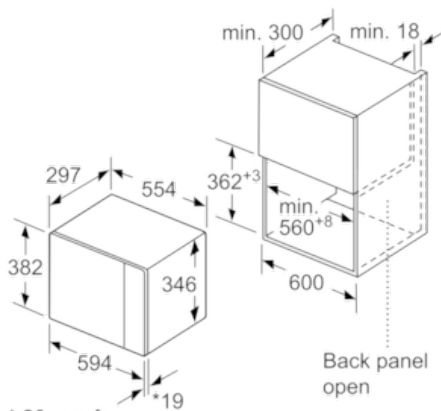


Measurements in mm



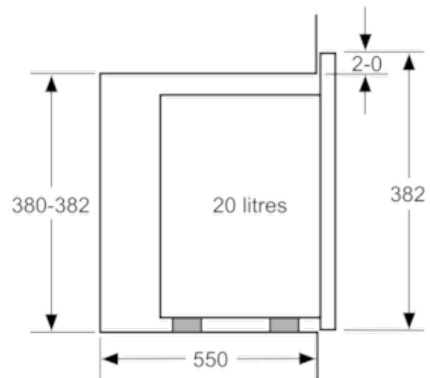
* 20 mm for metal fascia

measurements in mm

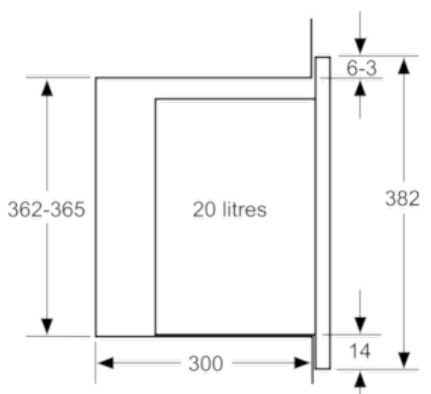


* 20 mm for
metal fascia

measurements in mm



measurements in mm



measurements in mm