



Register your new Bosch now:
www.bosch-home.com/welcome



Fridge-freezer
Réfrigérateur / Congélateur combiné

ثلاجة تبريد وجميد
يخچال-فریزر سرهم

KIV..



BOSCH

- en** User manual
- fr** Notice d'utilisation
- ar** دليل الاستخدام
- fa** راهنمای استفاده

en Table of Contents

Safety and warning information	3	Freezing and storing food	10
Information concerning disposal	5	Freezing fresh food	11
Scope of delivery	5	Thawing frozen food	12
Installation location	6	Interior fittings	12
Observe ambient temperature and ventilation	6	Sticker "OK"	12
Connecting the appliance	6	Switching off and disconnecting the appliance	12
Getting to know your appliance	7	Defrosting	13
Switching the appliance on	7	Cleaning the appliance	14
Setting the temperature	8	Tips for saving energy	15
Usable capacity	8	Operating noises	15
Refrigerator compartment	9	Eliminating minor faults yourself	16
Freezer compartment	9	Customer service	17
Max. freezing capacity	10		

fr Table des matières

Prescriptions-d'hygiène-alimentaire ..	18	Capacité de congélation maximale ..	26
Consignes de sécurité et avertissements	19	Congélation et rangement	27
Conseil pour la mise au rebut	21	Congélation de produits frais	27
Étendue des fournitures	22	Décongélation des produits	28
Lieu d'installation	22	Équipement	29
Contrôler la température ambiante et l'aération	22	Autocollant « OK »	29
Branchement de l'appareil	23	Arrêt et remisage de l'appareil	29
Présentation de l'appareil	23	Si vous dégivrez l'appareil	30
Enclenchement de l'appareil	24	Nettoyage de l'appareil	31
Réglage de la température	24	Economies d'énergie	32
Contenance utile	25	Bruits de fonctionnement	32
Le compartiment réfrigérateur	25	Remédier soi même aux petites pannes	33
Le compartiment congélateur	26	Service après-vente	35

Safety and warning information

Before you switch ON the appliance

Please read the operating and installation instructions carefully! They contain important information on how to install, use and maintain the appliance.

The manufacturer is not liable if you fail to comply with the instructions and warnings. Retain all documents for subsequent use or for the next owner.

Technical safety

This appliance contains a small quantity of environmentally-friendly but flammable R600a refrigerant. Ensure that the tubing of the refrigerant circuit is not damaged during transportation and installation. Leaking refrigerant may cause eye injuries or ignite.

If damage has occurred

- Keep naked flames and/or ignition sources away from the appliance,
- thoroughly ventilate the room for several minutes,
- switch off the appliance and pull out the mains plug,
- inform customer service.

The more refrigerant an appliance contains, the larger the room must be in which the appliance is situated. Leaking refrigerant can form a flammable gas-air mixture in rooms which are too small. The room must be at least 1 m³ per 8 g of refrigerant. The amount of refrigerant in your appliance is indicated on the rating plate inside the appliance.

If the power cord of this appliance is damaged, it must be replaced by the manufacturer, customer service or a similarly qualified person. Improper installations and repairs may put the user at considerable risk.

Repairs may be performed by the manufacturer, customer service or a similarly qualified person only.

Only original parts supplied by the manufacturer may be used. The manufacturer guarantees that only these parts satisfy the safety requirements.

A power cable extension may be purchased from customer service only.

Important information when using the appliance

- Never use electrical appliances inside the appliance (e.g. heater, electric ice maker, etc.). Risk of explosion!
- Never use a steam cleaner to defrost or clean the appliance! The steam may penetrate electrical parts and cause a short-circuit. Risk of electric shock!
- Do not use pointed or sharp-edged implements to remove frost or layers of ice. You could damage the refrigerant tubing. Leaking refrigerant may ignite or cause eye injuries.
- Do not store products which contain flammable propellants (e.g. spray cans) or explosive substances in the appliance. Risk of explosion!
- Do not stand or support yourself on the base, drawers or doors, etc.

- Before defrosting and cleaning the appliance, pull out the mains plug or switch off the fuse.
Do not pull out the mains plug by tugging the cable.
- Bottles which contain a high percentage of alcohol must be sealed and stored in an upright position.
- Keep plastic parts and the door seal free of oil and grease. Otherwise, parts and door seal will become porous.
- Never cover or block the ventilation openings for the appliance.
- People (children incl.) who have limited physical, sensory or mental abilities or inadequate knowledge must not use this appliance unless they are supervised or given meticulous instructions.
- Do not store bottled or canned drinks (especially carbonated drinks) in the freezer compartment. Bottles and cans may explode!
- Never put frozen food straight from the freezer compartment into your mouth.
Risk of low-temperature burns!
- Avoid prolonged touching of frozen food, ice or the evaporator pipes, etc.
Risk of low-temperature burns!

Children in the household

- Keep children away from packaging and its parts.
Danger of suffocation from folding cartons and plastic film!
- Do not allow children to play with the appliance!
- If the appliance features a lock: keep the key out of the reach of children!

General regulations

The appliance is suitable for cooling and freezing food.

This appliance is intended for use in the home and the home environment.

The appliance is suppressed according to EU Directive 2004/108/EC.

The refrigeration circuit has been checked for leaks.

This product complies with the relevant safety regulations for electrical appliances (EN 60335-2-24).

Information concerning disposal

Disposal of packaging

The packaging protects your appliance from damage during transit. All utilised materials are environmentally safe and recyclable. Please help us by disposing of the packaging in an environmentally friendly manner.

Please ask your dealer or inquire at your local authority about current means of disposal.

Disposal of your old appliance

Old appliances are not worthless rubbish! Valuable raw materials can be reclaimed by recycling old appliances.



This appliance is identified according to the European guideline 2002/96/EC on waste electrical and electronic equipment – WEEE. The directive specifies the framework for an EU-wide valid return and re-use of old appliances.

Warning

Redundant appliances

1. Pull out the mains plug.
2. Cut off the power cord and discard with the mains plug.
3. Do not take out the trays and receptacles: children are therefore prevented from climbing in!
4. Do not allow children to play with the appliance once it has spent its useful life. Danger of suffocation!

Refrigerators contain refrigerant and gases in the insulation. Refrigerant and gases must be disposed of professionally. Ensure that tubing of the refrigerant circuit is not damaged prior to proper disposal.

Scope of delivery

After unpacking all parts, check for any damage in transit.

If you have any complaints, please contact the dealer from whom you purchased the appliance or our customer service.

The delivery consists of the following parts:

- Built-in appliance
- Interior fittings (depending on model)
- Operating instructions
- Installation manual
- Customer service booklet
- Warranty enclosure
- Information on the energy consumption and noises
- Bag containing installation materials

Installation location

Install the appliance in a dry, well ventilated room. The installation location should neither be exposed to direct sunlight nor near a heat source, e. g. a cooker, radiator, etc. If installation next to a heat source is unavoidable, use a suitable insulating plate or observe the following minimum distances to a heat source:

- 3 cm to electric or gas cookers.
- 30 cm to an oil or coal-fired cooker.

Observe ambient temperature and ventilation

Ambient temperature

The appliance is designed for a specific climatic class. Depending on the climatic class, the appliance can be operated at the following room temperatures.

The climatic class can be found on the rating plate, Fig. 11.

Climatic class	Permitted ambient temperature
SN	+10 °C to 32 °C
N	+16 °C to 32 °C
ST	+16 °C to 38 °C
T	+16 °C to 43 °C

Note

The appliance is fully functional within the room temperature limits of the indicated climatic class. If an appliance of climatic class SN is operated at colder room temperatures, the appliance will not be damaged up to a temperature of +5 °C.

Ventilation

The air on the rear panel of the appliance heats up. Conduction of the heated air must not be obstructed. Otherwise, the refrigeration unit must work harder. This increases power consumption. Therefore: Never cover or block the ventilation openings!

Connecting the appliance

After installing the appliance, wait at least 1 hour until the appliance is switched on. During transportation the oil in the compressor may have flowed into the refrigeration system.

Before switching on the appliance for the first time, clean the interior of the appliance (see chapter “Cleaning the appliance”).

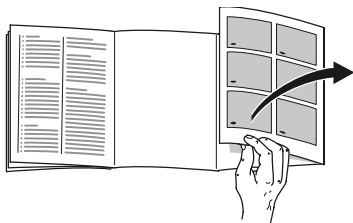
Electrical connection

The socket must be near the appliance and also freely accessible following installation of the appliance.

The appliance complies with the protection class I. Connect the appliance to 220–240 V/50 Hz alternating current via a correctly installed socket with protective conductor. The socket must be fused with a 10 to 16 A fuse.

For appliances operated in non-European countries, check whether the stated voltage and current type match the values of your mains supply match the values of the mains supply. This information can be found on the rating plate. Fig. 11

Getting to know your appliance



Please fold out the illustrated last page. These operating instructions refer to several models.

The features of the models may vary.

The diagrams may differ.

Fig. **1**

- 1 Temperature controller/light
- 2 Light switch
- 3 Glass shelf in the refrigerator compartment
- 4 Vegetable container
- 5 Frozen food container
- 6 Door shelf
- 7 Shelf for large bottles

- A Refrigerator compartment
 B Freezer compartment

Switching the appliance on

Turn temperature controller, Fig. **2/A**, from position "0". The appliance begins to cool. Light is switched on when the door is open.

Operating tips

- The sides of the housing are sometimes heated slightly. This prevents condensation in the area of the door seal.
- If the freezer compartment door cannot be immediately re-opened after it has been closed, wait until the resulting low pressure has equalised.

The refrigerator compartment temperature rises:

- if the appliance door is opened frequently,
- if large quantities of food are placed in the refrigerator compartment,
- if the ambient temperature is high.

Setting the temperature

Turn temperature controller, Fig. 2/A, to the required setting.

When the controller is at a medium setting, the temperature drops to approx. +4 °C in the coldest zone.

Fig. 3.

Higher settings lower the temperature in the refrigerator and freezer compartment.

We recommend:

- Perishable food should not be stored above +4 °C.
- Low setting for short-term storage of food (energy-saving mode).
- Medium setting for long-term storage of food.
- Select a higher setting only temporarily, when the door is frequently opened or large quantities are placed in the refrigerator compartment.

Refrigeration capacity

The temperature in the refrigerator compartment may rise temporarily if large amounts of food or a lot of drinks are placed inside.

Therefore the temperature controller should be set to a higher setting for approx. 7 hours.

Freezer compartment

The temperature in the freezer compartment depends on the temperature in the refrigerator compartment.

Lower temperatures in the refrigerator compartment also cause lower temperatures in the freezer compartment.

Usable capacity

Information on the usable capacity can be found inside your appliance on the rating plate.

Refrigerator compartment

The refrigerator compartment is the ideal storage location for ready meals, cakes and pastries, preserved food, condensed milk, hard cheese, fruit and vegetables sensitive to cold as well as tropical fruit.

Note when loading products:

Wrap or cover food before placing in the appliance. This will retain the aroma, colour and freshness of the food. In addition, flavours will not be transferred between foods and the plastic parts will not become discoloured.


Note

Avoid contact between food and rear panel. Otherwise the air circulation will be impaired.

Food or packaging could freeze to the rear panel.

Note the chill zones in the refrigerator compartment!

The air circulation in the refrigerator compartment creates different chill zones:

- Coldest zone is between the arrow stamped on the side and the glass shelf situated below. Fig. 

Note

Store perishable food (e.g. fish, sausage, meat) in the coldest zones.

- Warmest zone is at the very top of the door.

Note

Store e.g. cheese and butter in the warmest zone. When served, the cheese will not have lost its flavour and the butter will be easy to spread.

Freezer compartment

Use the freezer compartment

- To store deep-frozen food.
- To make ice cubes.
- To freeze food.

Note

Ensure that the freezer compartment door has been closed properly. If the door is open, the frozen food will thaw. The freezer compartment will become covered in thick ice. Also: waste of energy due to high power consumption!

Max. freezing capacity

Information about the max. freezing capacity within 24 hours can be found on the rating plate (see chapter “Customer service”).

Fully utilising the freezing capacity

The maximum amount of food can be placed in the freezer by removing all fittings. The food can be stacked directly on the shelves and in the bottom of the freezer compartment.

Removing the fittings

Pull out the frozen food container all the way, lift at the front and remove. Fig. 4

Freezing and storing food

Purchasing frozen food

- Packaging must not be damaged.
- Use by the “use by” date.
- Temperature in the supermarket freezer must be $-18\text{ }^{\circ}\text{C}$ or lower.
- If possible, transport deep-frozen food in an insulated bag and place quickly in the freezer compartment.

When loading products

Freeze large quantities of food preferably in the very top compartment where food freezes particularly quickly and therefore also gently. Place the food over the whole area of the compartments or in the frozen food container. Food which is already frozen must not come into contact with the food which is to be frozen. If required, move the frozen food to the frozen food container.

Storing frozen food

To ensure good air circulation in the appliance, insert the frozen food container all the way.

Freezing fresh food

Freeze fresh and undamaged food only.

To retain the best possible nutritional value, flavour and colour, vegetables should be blanched before freezing. Aubergines, peppers, zucchini and asparagus do not require blanching.

Literature on freezing and blanching can be found in bookshops.

Note

Keep food which is to be frozen away from food which is already frozen.

- The following foods are suitable for freezing:
Cakes and pastries, fish and seafood, meat, game, poultry, vegetables, fruit, herbs, eggs without shells, dairy products such as cheese, butter and quark, ready meals and leftovers such as soups, stews, cooked meat and fish, potato dishes, soufflés and desserts.
- The following foods are not suitable for freezing:
Types of vegetables, which are usually consumed raw, such as lettuce or radishes, eggs in shells, grapes, whole apples, pears and peaches, hard-boiled eggs, yoghurt, soured milk, sour cream, crème fraîche and mayonnaise.

Note

When freezing fresh food, the refrigeration unit runs for longer. As a result, the refrigerator compartment temperature may drop too low. Increase the temperature in the refrigerator compartment.

Packing frozen food

To prevent food from losing its flavour or drying out, place in airtight containers.

1. Place food in packaging.
2. Remove air.
3. Seal the wrapping.
4. Label packaging with contents and date of freezing.

Suitable packaging:

Plastic film, tubular film made of polyethylene, aluminium foil, freezer containers.

These products are available from specialist outlets.

Unsuitable packaging:

Wrapping paper, greaseproof paper, cellophane, bin liners and used shopping bags.

Items suitable for sealing packaged food:

Rubber bands, plastic clips, string, cold-resistant adhesive tape, etc.

Bags and tubular film made of polyethylene can be sealed with a film heat sealer.

Shelf life of frozen food

Depends on the type of food.

At a temperature of $-18\text{ }^{\circ}\text{C}$:

- Fish, sausage, ready meals and cakes and pastries:
up to 6 months
- Cheese, poultry and meat:
up to 8 months
- Vegetables and fruit:
up to 12 months

Thawing frozen food

Depending on the type and application, select one of the following options:

- at room temperature
- in the refrigerator
- in an electric oven, with/without fan assisted hot-air
- in the microwave

Caution

Do not refreeze food which is beginning to thaw or which has already thawed. It can only be refrozen when it has been used to prepare a ready meal (boiled or fried).

No longer store the frozen produce for the max. storage period.

Interior fittings

(not all models)

Glass shelves

Fig. **5**

You can reposition the inner shelves as required: lift shelf, pull forwards, lower and swivel out to the side.

Bottle shelf

Fig. **6**

Bottles can be stored securely on the bottle shelf. The holder can be adjusted.

Sticker “OK”

(not all models)

The “OK” temperature monitor can be used to determine temperatures below +4 °C. Gradually reduce the temperature if the sticker does not indicate “OK”.

Note

When the appliance is switched on, it may take 12 hours until the temperature is reached.



Correct setting

Switching off and disconnecting the appliance

Switching the appliance off

Turn temperature controller, Fig. **2**/A, to position “0”. Refrigeration unit and light switch off.

Disconnecting the appliance

If you do not use the appliance for a prolonged period:

1. Switch off the appliance.
2. Pull out mains plug or switch off fuse.
3. Clean the appliance.
4. Leave the appliance door open.

Defrosting

Refrigerator compartment defrosts fully automatically

While the refrigerating unit is running, beads of condensation or hoarfrost form at the back of the refrigerator compartment. This is quite normal. It is not necessary to wipe off the condensation or frost. The rear panel defrosts automatically. The condensation runs into the condensation channel, Fig. 8, and is conveyed to the refrigerating unit where it evaporates.

Note

Keep the condensation channel and drainage hole clean, so that the condensation can run out.

Defrosting the freezer compartment

The freezer compartment does not defrost automatically, otherwise the frozen food would start thawing. A layer of frost in the freezer compartment impairs refrigeration of the frozen food and increases power consumption. Remove the layer of hoarfrost regularly.

Caution

Do not scrape off hoarfrost or ice with a knife or pointed object. You could damage the refrigerant tubes. Leaking refrigerant may ignite or cause eye injuries.

Proceed as follows:

1. Remove the frozen food and place temporarily in a cool location.
2. Switch the appliance off.
3. Pull out the mains plug or remove the fuse.
4. To accelerate the defrosting process, place a pan of hot water on a trivet in the freezer compartment. Fig. 9
5. Wipe up condensation with a cloth or sponge.
6. Wipe dry the freezer compartment.
7. Switch the appliance on again.
8. Put the frozen food back in the freezer compartment.

Cleaning the appliance

Caution

- Do not use abrasive or acidic cleaning agents and solvents.
- Do not use scouring or abrasive sponges. The metallic surfaces could corrode.
- Never clean shelves and containers in the dishwasher. The parts may become deformed!

Proceed as follows:

1. Before cleaning: Switch the appliance off.
2. Pull out the mains plug or switch off the fuse.
3. Take out the frozen food and store in a cool location.
4. Clean the appliance with a soft cloth, lukewarm water and a little pH neutral washing-up liquid. The rinsing water must not run into the light.
5. Wipe the door seal with clear water only and then wipe dry thoroughly.
6. Rinsing water must not run through the drainage hole into the evaporation area.
7. After cleaning reconnect and switch the appliance back on.
8. Put the frozen food back in the freezer compartment.

Interior fittings

All variable parts of the appliance can be taken out for cleaning.

Take out glass shelves

Fig. **5**

Lift the glass shelves, pull forwards, lower and swing out to the side.

Condensation channel

Fig. **8**

Regularly clean the condensation channel and drainage hole with a cotton bud or similar implement to ensure that the condensation can drain.

Take out shelves in the door

Fig. **10**

Lift shelves upwards and take out.

Removing the container

Fig. **4**

Pull out the container all the way, lift at the front and remove.

Tips for saving energy

- Install the appliance in a dry, well ventilated room! The appliance should not be installed in direct sunlight or near a heat source (e.g. radiator, cooker).
If required, use an insulating plate.
- Allow warm food and drinks to cool down before placing in the appliance!
- When thawing frozen products, place them in the refrigerator. Use the coldness of the frozen food to cool food.
- Open the appliance as briefly as possible.
- Regularly defrost the freezer compartment to remove the layer of frost!
A layer of hoarfrost will impair refrigeration of the frozen food and increase power consumption.
- Ensure that the freezer compartment door is always closed properly.
- Occasionally clean the rear of the appliance with a vacuum cleaner or paint brush to prevent an increased power consumption.

Operating noises

Quite normal noises

Droning

Motors are running (e.g. refrigerating units, fan).

Bubbling, humming or gurgling noises

Refrigerant is flowing through the tubing.

Clicking

Motor, switches or solenoid valves are switching on/off.

Preventing noises

The appliance is not level

Please align the appliance with a spirit level. Use the height-adjustable feet or place packing underneath them.

The appliance is not free-standing

Please move the appliance away from adjacent units or appliances.

Containers or storage areas wobble or stick

Please check the removable parts and re-insert them correctly if required.

Bottles or receptacles are touching each other

Move the bottles or receptacles slightly away from each other.

Eliminating minor faults yourself

Before you call customer service:

Please check whether you can eliminate the fault yourself based on the following information.

Customer service will charge you for advice – even if the appliance is still under guarantee!

Fault	Possible cause	Remedial action
The light does not work.	The bulb is defective.	Replace bulb. Fig. 7 /B 1. Switch the appliance off. 2. Pull out mains plug or switch off fuse. 3. Slide cover forwards and remove. 4. Change the bulb. (Replacement bulb: 220–240 V a.c., E14 bulb holder, see defective bulb for wattage.)
	Light switch is jammed.	Check whether it can be moved. Fig. 7 /A
The frozen food is frozen solid.		Loosen frozen food with a blunt object. Do not use a knife or pointed object.
The freezer compartment has a thick layer of frost.		Defrost the freezer compartment (see chapter Defrosting). Always ensure that the freezer compartment door is closed properly.
Floor of the refrigerator compartment is wet.	The condensation channels or drainage hole are blocked.	Clean the condensation channels and the drainage hole. See chapter Cleaning the appliance. Fig. 8
The temperature in the refrigerator compartment is too cold.	Freezer compartment door is open.	Close the freezer compartment door.
	Too much food was placed in the freezer compartment at once.	Do not exceed max. freezing capacity.
	Temperature controller has been set too high.	Set temperature controller lower.

Fault	Possible cause	Remedial action
The refrigerating unit is switching on more frequently and for longer.	Appliance opened frequently.	Do not open the appliance unnecessarily.
	The ventilation openings have been covered.	Remove obstacles.
	Large quantities of fresh food are being frozen.	Do not exceed max. freezing capacity.
Appliance has no refrigeration capacity.	The temperature controller is in position "0".	Turn the temperature controller from position "0". Fig. 2/A
	<ul style="list-style-type: none"> ■ Power failure. ■ The fuse has been switched off. ■ The mains plug has not been inserted properly. 	Check whether the power is on, check the fuses.

Customer service

Your local customer service can be found in the telephone directory or in the customer-service index. Please provide customer service with the appliance product number (E-Nr.) and production number (FD).

These specifications can be found on the rating plate. Fig. 11

To prevent unnecessary call-outs, please assist customer service by quoting the product and production numbers.

This will save you additional costs.

Repair order and advice on faults

Contact information for all countries can be found on the enclosed customer service list.

GB	0844 8928979	Calls from a BT landline will be charged at up to 3 pence per minute. A call set-up fee of up to 6 pence may apply.
IE	01450 2655	
US	800 944 2904	toll-free

Prescriptions- d'hygiène-alimentaire

Chère cliente, cher client,

Conformément à la réglementation française visant à empêcher la présence de listériés dans le compartiment réfrigérateur, nous vous remercions de respecter les consignes suivantes :

- Nettoyez fréquemment le compartiment intérieur du réfrigérateur à l'aide d'un détergent non agressif, ne provoquant pas d'oxydation des pièces métalliques (utilisez par ex. de l'eau tiède additionnée d'un peu de produit à vaisselle).

Ensuite, désinfectez avec de l'eau additionnée de vinaigre ou de jus de citron les surfaces que vous avez préalablement nettoyées, ou utilisez un produit germicide en vente habituelle dans le commerce et adapté aux réfrigérateurs (avant d'utiliser ce produit sur les pièces métalliques, faites un test de compatibilité à un endroit peu visible).

- Enlevez les emballages commerciaux avant de mettre les produits alimentaires dans le compartiment réfrigérateur (par ex. le carton qui réunit les pots de yaourt).
- Pour éviter toute contamination entre des produits alimentaires de nature différente, rangez-les bien séparés les uns des autres, bien emballés ou rangés dans des récipients à couvercle.
- Avant de préparer des plats et de saisir des produits alimentaires, lavez-vous les mains. Avant de préparer d'autres plats, lavez-vous à nouveau les mains. Lavez-les encore une fois avant de prendre un repas.
- Lavez les ustensiles de cuisine dont vous venez de vous servir avant de les réutiliser (cuillère en bois, planche de découpe, couteau de cuisine, etc.).

Consignes de sécurité et avertissements

Avant de mettre l'appareil en service

Veillez lire attentivement et entièrement les informations figurant dans les notices d'utilisation et de montage. Elle contiennent des remarques importantes concernant l'installation, l'utilisation et l'entretien de l'appareil.

Le fabricant décline toute responsabilité si les consignes et mises en garde contenues dans la notice d'utilisation ne sont pas respectées. Veuillez conserver ces documents en vue d'une réutilisation ultérieure ou pour le cas où l'appareil changerait de propriétaire.

Sécurité technique

Cet appareil contient une petite quantité d'un fluide réfrigérant écologique mais inflammable, le R 600a. Pendant le transport et la mise en place de l'appareil, veillez à ne pas endommager les tuyauteries du circuit frigorifique. Si le fluide réfrigérant jaillit, il peut provoquer des lésions oculaires ou s'enflammer.

Si l'appareil est endommagé

- éloignez de l'appareil toute flamme nue ou source d'inflammation,
- aérez bien la pièce pendant quelques minutes,
- éteignez l'appareil puis débranchez la fiche mâle de la prise de courant,
- prévenez le service après-vente.

Plus l'appareil contient de fluide réfrigérant et plus grande doit être la pièce dans laquelle il se trouve. Dans les pièces trop petites, un mélange gaz-air inflammable peut se former en cas de fuite.

Comptez 1 m³ de volume minimum de la pièce pour 8 g de fluide réfrigérant. La quantité de fluide présente dans l'appareil est indiquée sur la plaque signalétique située à l'intérieur de ce dernier.

Si le cordon d'alimentation électrique de cet appareil a été endommagé, il faut confier son remplacement au fabricant, au service après-vente ou à une personne détenant des qualifications similaires. Les installations et réparations inexpertes peuvent engendrer des risques considérables pour l'utilisateur.

Les réparations ne pourront être réalisées que par le fabricant, le service après-vente ou une personne détenant des qualifications similaires.

Il ne faut utiliser que les pièces d'origine du fabricant. Le fabricant ne garantit que les pièces d'origine car elles seules remplissent les exigences de sécurité.

S'il faut allonger le cordon de raccordement au secteur avec un prolongateur, procurez-vous-le exclusivement auprès du service après-vente.

Pendant l'utilisation

- N'utilisez pas d'appareils électriques à l'intérieur de l'appareil (par ex. appareils de chauffage, machine à glaçons, etc.). Risque d'explosion !

- Ne dégivrez ni et ne nettoyez jamais l'appareil avec un nettoyeur à vapeur ! La vapeur risque d'atteindre des pièces électriques et de provoquer un court-circuit. Risque d'électrocution !
- Pour détacher le givre ou les couches de glace, n'utilisez jamais d'objets pointus ou présentant des arêtes vives. Vous risqueriez d'endommager les tuyaux de fluide réfrigérant. Le fluide réfrigérant en train de jaillir risque de s'enflammer ou de provoquer des lésions oculaires.
- Ne stockez dans l'appareil ni produits contenant des gaz propulseurs inflammables (par ex. bombes aérosols) ni produits explosifs. Risque d'explosion !
- Ne vous servez pas des socles, clayettes et portes comme marchepieds ou pour vous appuyer.
- Pour dégivrer et nettoyer l'appareil, débranchez la fiche mâle de la prise de courant ou retirez le fusible / désarmez le disjoncteur. Pour débrancher l'appareil, tirez sur la fiche mâle et non pas sur son cordon.
- Stockez les boissons fortement alcoolisées en position verticale dans des récipients bien fermés.
- L'huile et la graisse ne doivent pas entrer en contact avec les parties en matières plastiques et le joint de porte. Ces derniers pourraient sinon devenir poreux.
- Ne recouvrez et n'obstruez jamais les orifices de ventilation de l'appareil.
- Cet appareil ne pourra être utilisé par des personnes (enfants compris) présentant des capacités physiques, sensorielles ou psychiques restreintes ou manquant de connaissances que sous la surveillance d'une personne chargée de leur sécurité ou après que cette dernière leur aura enseigné à utiliser l'appareil.
- Dans le compartiment congélateur, ne stockez pas de boissons, gazeuses en particulier, en bouteilles ou en canettes car elles éclateraient. Les bouteilles et les canettes risqueraient d'éclater !
- Ne portez jamais des produits surgelés à la bouche immédiatement après les avoir sorties du compartiment congélateur. Risque d'engelures !
- Évitez tout contact prolongé des mains avec les produits congelés, la glace ou les tubes de l'évaporateur, etc. Risque d'engelures !

Les enfants et l'appareil

- Ne confiez jamais l'emballage et ses pièces constitutives aux enfants. Ils risquent de s'étouffer avec les cartons pliants et les feuilles de plastique !
- L'appareil n'est pas un jouet pour enfants !
- Appareils équipés d'une serrure : rangez la clé hors de portée des enfants !

Dispositions générales

L'appareil convient pour réfrigérer et congeler les produits alimentaires.

Cet appareil est destiné à un usage domestique dans un foyer privé, et à l'environnement domestique.

L'appareil a été antiparasité conformément à la directive UE 2004/108/EC.

Le circuit frigorifique a subi un contrôle d'étanchéité.

Ce produit est conforme aux dispositions de sécurité applicables visant les appareils électriques (EN 60335-2-24).

Conseil pour la mise au rebut

Mise au rebut de l'emballage

L'emballage protège votre appareil contre les dommages susceptibles de survenir en cours de transport. Tous les matériaux qui le composent sont compatibles avec l'environnement et recyclables. Aidez-nous : à éliminer l'emballage dans le respect de l'environnement.

Pour connaître les circuits actuels de mise au rebut, adressez-vous s.v.p. à votre revendeur ou à l'administration de votre commune.

Mise au rebut de l'ancien appareil

Les appareils usagés ne sont pas des déchets dénués de valeur ! Leur élimination dans le respect de l'environnement permet d'en récupérer de précieuses matières premières.



Cet appareil est marqué selon la directive européenne 2002/96/CE relative aux appareils électriques et électroniques usagés (waste electrical and electronic equipment – WEEE). La directive définit le cadre pour une reprise et une récupération des appareils usagés applicables dans les pays de la CE.



Mise en garde

Avant de mettre au rebut l'appareil qui ne sert plus :

1. Débranchez sa fiche mâle.
2. Sectionnez son câble d'alimentation et retirez-le avec la fiche mâle.
3. Pour dissuader les enfants de grimper dans l'appareil, ne retirez pas les clayettes et les bacs !
4. Ne permettez pas aux enfants de jouer avec l'appareil lorsqu'il ne sert plus. Risque d'étouffement !

Les appareils réfrigérants contiennent du fluide réfrigérant. L'isolant contient des gaz. Il faut que le fluide réfrigérant et les gaz soient éliminés dans les règles de l'art. Jusqu'à l'enlèvement de l'appareil, veillez bien à ce que son circuit frigorifique ne soit pas endommagé.

Étendue des fournitures

Après avoir déballé, vérifiez toutes les pièces pour détecter d'éventuels dégâts dus au transport.

En cas de réclamation, veuillez vous adresser au revendeur auprès duquel vous avez acquis l'appareil ou auprès de notre service après-vente.

La livraison comprend les pièces suivantes :

- Appareil encastrable
- Équipement (selon le modèle)
- Notice d'utilisation
- Notice de montage
- Carnet de service après-vente
- Pièce annexe de la garantie
- Informations relatives à la consommation d'énergie et aux bruits
- Sachet avec quincaillerie de montage

Lieu d'installation

Un local sec et aérable convient pour installer l'appareil. Évitez de placer l'appareil à un endroit directement exposé aux rayons solaires ou à proximité d'une source de chaleur telle une cuisinière, un radiateur, etc.

Si l'installation près d'une source de chaleur est inévitable, utilisez une plaque isolante appropriée ou respectez les distances minimales suivantes :

- 3 cm par rapport aux cuisinières électriques ou à gaz.
- 30 cm par rapport à un appareil de chauffage au fuel ou au charbon.

Contrôler la température ambiante et l'aération

Température ambiante

L'appareil a été conçu pour une catégorie climatique précise. Suivant la catégorie climatique, l'appareil est utilisable dans les températures ambiantes suivantes.

La catégorie climatique de l'appareil figure sur sa plaque signalétique, Fig. **11**.

Catégorie climatique	Température ambiante admissible
SN	+10 °C à 32 °C
N	+16 °C à 32 °C
ST	+16 °C à 38 °C
T	+16 °C à 43 °C

Remarque

L'appareil est entièrement fonctionnel à l'intérieur des limites de température ambiante prévues dans la catégorie climatique indiquée. Si un appareil de la catégorie climatique SN est utilisé à des températures ambiantes plus basses, il est possible d'exclure que l'appareil s'endommage jusqu'à une température de +5 °C.

Aération

L'air entrant en contact avec la paroi arrière de l'appareil se réchauffe. L'air chaud doit pouvoir s'échapper sans obstacle. S'il ne le peut pas, le groupe frigorifique doit fonctionner plus longtemps, ce qui augmente la consommation de courant. Pour cette raison, ne recouvrez ni et n'obstruez jamais les orifices d'aération de l'appareil.

Branchement de l'appareil

Après l'installation de l'appareil en position verticale, attendez au moins une heure avant de le mettre en service. Il peut en effet arriver, pendant le transport, que l'huile présente dans le compresseur se déplace vers le circuit frigorifique.

Avant la première mise en service, nettoyez le compartiment intérieur de l'appareil. (Voir le chapitre « Nettoyage de l'appareil ».)

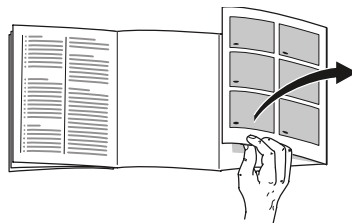
Branchement électrique

La prise doit être proche de l'appareil et demeurer librement accessibles même après avoir installé ce dernier.

L'appareil est conforme à la classe de protection I. Raccordez l'appareil au courant alternatif 220–240 V / 50 Hz, via une prise femelle installée réglementairement et comportant un fil de terre. La prise doit être protégée par un fusible supportant un ampérage de 10 A à 16 A.

Sur les appareils qui fonctionneront dans des pays non européens, il faut vérifier que la tension et le type de courant mentionnés sur la plaque signalétique correspondent bien avec celle et celui offert par votre secteur. Vous trouverez ces indications sur la plaque signalétique. Fig. 11

Présentation de l'appareil



Veillez déplier la dernière page, illustrée, de la notice. La présente notice d'utilisation vaut pour plusieurs modèles. L'équipement des modèles peut varier. Selon le modèle, l'appareil peut différer du contenu des illustrations.

Fig. 11

- 1 Thermostat/Éclairage
- 2 Interrupteur d'éclairage
- 3 Clayette en verre dans le compartiment réfrigérateur
- 4 Bac à légumes
- 5 Bac à produits surgelés
- 6 Rangement en contre-porte
- 7 Clayette à grandes bouteilles

- A Compartiment réfrigérateur
- B Compartiment congélateur

Enclenchement de l'appareil

Tournez le thermostat, Fig. 2/A, pour lui faire quitter la position « 0 ». L'appareil commence à réfrigérer. Porte en position ouverte, l'éclairage est allumé.

Remarques concernant le fonctionnement de l'appareil

- L'appareil chauffe légèrement une partie de ses surfaces frontales pour empêcher une condensation d'eau dans la zone du joint de porte.
- Si la porte du compartiment congélateur ne se laisse pas immédiatement ouvrir après l'avoir fermée, attendez un moment pour laisser à la dépression régnant dans le compartiment le temps de se résorber.

La température du compartiment réfrigérateur augmente temporairement :

- si vous ouvrez fréquemment la porte de l'appareil,
- si vous rangez de grandes quantités d'aliments,
- en présence d'une température ambiante élevée.

Réglage de la température

Tournez le thermostat, Fig. 2/A, jusque sur le réglage souhaité.

Sur un réglage médian, la zone la plus froide atteint env. +4 °C. Fig. 3

Des réglages plus élevés abaissent les températures dans le compartiment réfrigérateur et le compartiment congélateur.

Recommandations :

- Nous conseillons de stocker les produits alimentaires délicats à une température non supérieure à +4 °C.
- Réglage peu élevé pour stocker peu de temps des produits alimentaires (mode économe en énergie).
- Réglage moyen pour stocker longtemps des produits alimentaires.
- Réglage élevé uniquement de façon temporaire, s'il faut ouvrir fréquemment la porte ou si vous venez de ranger de grandes quantités de produits alimentaires dans le compartiment réfrigérateur.

Capacité de réfrigération

La température peut monter dans le compartiment réfrigérateur si vous rangez des quantités importantes de produits alimentaires ou de boissons.

Pour cette raison, il faudrait régler le thermostat sur un chiffre plus élevé pendant environ 7 heures.

Compartiment congélateur

La température régnant dans le compartiment congélateur dépend de celle régnant dans le compartiment réfrigérateur.

Une baisse de la température dans le compartiment réfrigérateur entraîne aussi une baisse de celle du compartiment congélateur.

Contenance utile

Vous trouverez les indications relatives à la contenance utile sur la plaque signalétique de votre appareil.

Le compartiment réfrigérateur

Le compartiment réfrigérateur est l'endroit idéal où ranger les plats finis de préparer, les pâtisseries, conserves, le lait condensé, le fromage dur, les fruits et légumes craignant le froid ainsi que les agrumes.

Consignes de rangement :

Rangez les aliments si possible bien emballés ou bien couverts. Ils garderont ainsi arôme, couleur et fraîcheur. Ceci empêche en outre que certains aliments ne communiquent leur goût à d'autres et que les pièces en plastique changent anormalement de couleur.

Remarque

Évitez que les produits alimentaires entrent en contact avec la paroi arrière. Cela gênerait sinon la circulation de l'air. Les produits alimentaires ou les emballages pourraient rester collés, par congélation, contre la paroi arrière.

Tenez compte des différentes zones froides dans le compartiment réfrigérateur !

L'air circulant dans le compartiment réfrigérateur fait que des zones différemment froides apparaissent :

- La zone la plus froide se trouve entre la flèche imprimée sur le côté et sur la clayette qui se trouve en dessous. Fig. 3

Remarque

Dans la zone la plus froide, rangez les aliments délicats (par ex. le poisson, la charcuterie, la viande).

- Zone la moins froide elle se trouve complètement en haut, contre la porte.

Remarque

Rangez dans la zone la moins froide par ex. le fromage et le beurre. Ainsi, au moment de servir, le fromage conservera tout son arôme et le beurre restera tartinable.

Le compartiment congélateur

Utilisation du compartiment congélateur

- Sert à ranger des produits surgelés.
- Sert à confectionner des glaçons.
- Pur congeler des produits alimentaires.

Remarque

Veillez à ce que la porte du compartiment congélateur soit correctement fermée ! Si cette porte reste ouverte, les produits surgelés dégèleront. Le compartiment congélateur se givre fortement. En outre : gaspillage d'énergie dû à une consommation élevée d'électricité !

Capacité de congélation maximale

Sur la plaquette signalétique, vous trouverez des indications concernant la capacité de congélation maximale en 24 heures (voir le chapitre « Service après-vente »).

Utiliser intégralement la capacité de congélation

Pour pouvoir ranger la quantité maximale de produits congelés, vous pouvez retirer toutes les pièces composant l'équipement. Il devient alors possible d'empiler les produits alimentaires au bas du compartiment de congélation.

Pour retirer les pièces d'équipement

Tirez le bac à produit congelés à vous jusqu'à la butée, soulevez-le à l'avant puis extrayez-le. Fig. **4**

Congélation et rangement

Achats de produits surgelés

- Leur emballage doit être intact.
- Ne dépassez pas la date-limite de conservation.
- Il faut que la température dans le congélateur bahut du supermarché soit de $-18\text{ }^{\circ}\text{C}$ ou encore plus basse.
- Utilisez de préférence un sac isotherme pour le transport puis rangez les produits le plus rapidement possible dans le compartiment congélateur.

Lors du rangement

S'il faut congeler des quantités assez importantes de produits alimentaires, utilisez de préférence le compartiment le plus haut ; ils y seront congelés à la fois très vite et en douceur. Étalez les produits alimentaires sur une grande surface dans les tiroirs et les bacs à produits congelés. Veillez à ce que les produits congelés n'entrent pas en contact avec des produits frais. Le cas échéant, modifiez l'empilage des produits congelés dans les bacs à produits congelés.

Rangement des produits surgelés

Introduisez le bac à produits congelés jusqu'à la butée, c'est important pour que l'air circule impeccablement dans l'appareil.

Congélation de produits frais

Pour congeler les aliments, n'utilisez que des aliments frais et d'un aspect impeccable.

Il faudrait blanchir les légumes avant de les congeler, pour préserver le mieux possible leur valeur nutritive, leur arôme et leur teinte. Il n'est pas nécessaire de blanchir les aubergines, poivrons, courgettes et asperges.

Vous trouverez en librairie toute une bibliographie sur la congélation et le blanchissement.

Remarque

Veillez à ce que les produits alimentaires à congeler n'entrent pas en contact avec des produits déjà congelés.

- Se prêtent à la congélation :
Pâtisseries, poissons et fruits de mer, viande de boucherie et gibier, volaille, fruits, légumes, herbes culinaires, œufs sans la coque, produits laitiers comme le fromage, le beurre et le fromage blanc, plats précuisinés et restes de plats tels que les soupes, ragouts, la viande et le poisson cuits, les plats aux pommes de terre, les soufflés et mets sucrés.
- Ne se prêtent pas à la congélation :
Variétés de légumes habituellement dégustées crues telles que la salade ou les radis, œufs dans leur coque, raisins, pommes, poires et pêches entières, œufs cuits durs, yaourt, lait caillé, crème acidulée, crème fraîche et mayonnaise.

Remarque

Lorsque vous mettez des produits alimentaires frais à congeler, le groupe frigorifique fonctionne plus longtemps. Selon les circonstances, la température risque de trop descendre dans le compartiment réfrigérateur. Haussez la température devant régner dans le compartiment réfrigérateur.

Emballer les surgelés

L'air ne doit pas pénétrer dans l'emballage pour que les aliments ne perdent pas leur goût ni ne sèchent pas.

1. Placez les aliments dans l'emballage.
2. Presser pour chasser l'air.
3. Obturez l'emballage hermétiquement.
4. Indiquez sur l'emballage le contenu et la date de congélation.

Emballages adaptés :

Feuilles en plastique, feuilles en polyéthylène, feuilles d'aluminium, boîtes de congélation. Vous trouverez ces produits dans le commerce spécialisé.

Emballages inadaptés :

Le papier d'emballage, le papier sulfurisé, les feuilles de cellophane, les sacs poubelles et les sacs en plastique ayant déjà servi.

Moyens d'obturation adaptés :

Caoutchoucs, clips en plastique, ficelles, rubans adhésifs résistants au froid, ou assimilés.

Vous pouvez obturer les sachets et les feuilles en polyéthylène au moyen d'une thermosoudeuse.

Durée de conservation des produits surgelés

Elle dépend de la nature des aliments.

Si la température a été réglée sur $-18\text{ }^{\circ}\text{C}$:

- Poisson, charcuterie, plats pré-cuisinés, pâtisseries :
jusqu'à 6 mois
- Fromage, volaille, viande :
jusqu'à 8 mois
- Fruits et légumes :
jusqu'à 12 mois

Décongélation des produits

Selon la nature et l'utilisation des produits surgelés, vous pouvez choisir entre plusieurs possibilités :

- à la température ambiante,
- dans le réfrigérateur,
- dans le four électrique, avec / sans ventilateur à air chaud,
- dans le micro-ondes.

**Attention**

Ne remettez pas à congeler des produits alimentaires partiellement ou entièrement décongelés. Vous pourrez les recongeler uniquement après les avoir transformés en plats pré-cuisinés (par cuisson ou rôtissage).

Dans ce cas, consommez-les nettement avant la date limite de conservation.

Équipement

(selon le modèle)

Clayettes en verre

Fig. 5

Dans le volume intérieur, vous pouvez faire varier la configuration des clayettes suivant besoins : Soulevez la clayette, tirez-la en avant, abaissez-la et faites la basculer latéralement pour l'extraire.

Clayette à bouteilles

Fig. 6

Cette clayette permet de ranger des bouteilles de manière sûre. La fixation est variable.

Autocollant « OK »

(selon le modèle)

Le contrôle de température « OK » permet de signaler les températures inférieures à +4 °C. Si l'autocollant n'affiche pas « OK », abaissez la température par palier.

Remarque

À la mise en service de l'appareil, ce dernier peut mettre jusqu'à 12 heures avant d'atteindre la température correcte.



Réglage correct

Arrêt et remisage de l'appareil

Coupure de l'appareil

Tournez le thermostat, Fig. 2/A, sur la position « 0 ». Le groupe frigorifique et l'éclairage s'éteignent.

Remisage de l'appareil

Si l'appareil doit rester longtemps sans servir :

1. Éteignez l'appareil.
2. Débranchez la fiche mâle du secteur ou ramenez le disjoncteur en position éteinte.
3. Nettoyez l'appareil.
4. Laissez la porte de l'appareil ouverte.

Si vous dégivrez l'appareil

Le dégivrage du compartiment réfrigérateur est entièrement automatique

Pendant que le groupe frigorifique tourne, des gouttelettes d'eau de condensation ou du givre se forment contre la paroi arrière du compartiment réfrigérateur. Ce phénomène est le résultat du fonctionnement de l'appareil. Inutile d'essuyer les gouttelettes d'eau de dégivrage ou de gratter le givre. La paroi arrière se dégivre automatiquement. L'eau du dégivrage s'écoule par la rigole d'écoulement à cet effet, Fig. 8. Ensuite, elle gagne le groupe frigorifique où elle s'évapore.

Remarque

Maintenez les rigoles à eau de dégivrage et le trou d'écoulement propres afin que cette eau puisse s'écouler.

Dégivrage du compartiment congélateur

Le compartiment congélateur ne décongèle pas automatiquement vu que les produits surgelés doivent le rester. Une couche de givre dans le compartiment congélateur réduit la transmission de froid aux produits surgelés et accroît la consommation de courant. Enlevez régulièrement cette couche de givre.

Attention

Ne raclez jamais la couche de givre avec un couteau ou un objet pointu. Vous risqueriez d'endommager les tubulures dans lesquelles circule le produit réfrigérant. Le fluide réfrigérant en train de jaillir risque de s'enflammer ou de provoquer des lésions oculaires.

Procédure :

1. Retirez les produits congelés et rangez-les temporairement dans un endroit frais.
2. Éteignez l'appareil.
3. Débranchez la fiche mâle de la prise de courant ou coupez le fusible.
4. Pour accélérer le dégivrage, posez dans le compartiment congélateur un dessous de plat et une casserole remplie d'eau chaude. Fig. 9
5. Essuyez l'eau de dégivrage avec un torchon ou une éponge.
6. Passez un essuie-tout sec pour sécher le compartiment congélateur.
7. Remettez l'appareil en marche.
8. Rangez à nouveau les produits surgelés dans les tiroirs.

Nettoyage de l'appareil

Attention

- N'utilisez aucun produit de nettoyage contenant du sable, du chlorure ou de l'acide, ni aucun solvant.
- N'utilisez jamais d'éponges abrasives ou susceptibles de rayer. Des zones corrodées pourraient apparaître sur les surfaces métalliques.
- Ne nettoyez jamais les clayettes et les bacs au lave-vaisselle. Ces pièces pourraient se déformer !

Procédure :

1. Éteignez l'appareil avant de le nettoyer.
2. Débranchez la fiche mâle du secteur ou ramenez le disjoncteur en position éteinte !
3. Sortez les produits congelés et rangez-les dans un endroit frais.
4. Ne nettoyez l'appareil qu'avec un chiffon doux, de l'eau tiède et du produit à vaisselle présentant un pH neutre. L'eau de nettoyage ne doit pas pénétrer dans l'éclairage.
5. N'essuyez le joint de porte qu'avec un chiffon et de l'eau propre ; ensuite, séchez-le à fond.
6. Veillez à ce que l'eau de nettoyage ne traverse pas le trou d'écoulement et ne pénètre pas dans la zone d'évaporation.
7. Après le nettoyage : rebranchez la fiche mâle de l'appareil puis réenclenchez-le.
8. Rangez à nouveau les produits surgelés dans les tiroirs.

Équipement

Pour nettoyer, il est possible de retirer toutes les pièces variables de l'appareil.

Retirer les clayettes en verre

Fig. **5**

Soulevez les clayettes en verre, tirez-les en avant, abaissez-les et sortez-les latéralement.

Rigole d'écoulement de l'eau de dégivrage

Fig. **8**

Avec un bâtonnet ouaté ou un objet similaire, nettoyez régulièrement la rigole et le trou d'écoulement afin que l'eau de dégivrage puisse s'écouler.

Sortir les supports en contre-porte

Fig. **10**

Soulevez les supports et retirez-les.

Retirer le bac

Tirez le bac à vous jusqu'à la butée, soulevez-le à l'avant puis extrayez-le.

Fig. **4**

Economies d'énergie

- Placez l'appareil dans un local sec et aérable. Veillez à ce que l'appareil ne soit pas directement exposé aux rayons solaires et qu'il ne se trouve pas à proximité d'une source de chaleur (par ex. radiateur, cuisinière).

Utilisez le cas échéant une plaque isolante.

- Attendez que les plats chauds aient refroidi avant de les ranger dans le compartiment congélateur !
- Rangez les produits surgelés dans le compartiment réfrigérateur pour qu'ils dégèlent. Utilisez l'excédent de froid pour refroidir les aliments.

- N'ouvrez la porte de l'appareil que le plus brièvement possible !

- Faites dégeler régulièrement la couche de givre présente dans la compartiment congélateur !

Une couche de givre gêne la communication du froid aux produits et accroît la consommation de courant.

- Veillez à ce que la porte du compartiment congélateur soit correctement fermée.
- De temps en temps, nettoyez le dos de l'appareil avec un aspirateur ou une brosse, ceci pour éviter une hausse de la consommation d'électricité.

Bruits de fonctionnement

Bruits parfaitement normaux

Bourdonnement sourd

Les moteurs tournent (par ex. groupes frigorifiques, ventilateur).

Clapotis, sifflement léger ou gargouillis

Le fluide frigorigène circule dans les tuyaux.

Cliquetis

Le moteur, les interrupteurs ou les électrovannes s'allument / s'éteignent.

Éviter la génération de bruits

L'appareil ne repose pas d'aplomb

Veillez mettre l'appareil d'aplomb à l'aide d'un niveau à bulle. Ajustez ensuite l'horizontalité par les pieds à vis ou placez un objet dessous.

L'appareil touche quelque chose

Eloignez l'appareil de meubles ou d'appareils voisins.

Les bacs ou surfaces de rangement vacillent ou se coincent

Vérifiez les pièces amovibles puis remettez-les en place correctement.

Des bouteilles ou récipients se touchent

Eloignez légèrement les bouteilles ou récipients les uns des autres.

Remédier soi même aux petites pannes

Avant d'appeler le service après-vente (SAV) :

Vérifiez svp si vous ne pouvez pas remédier vous-même au dérangement à l'aide des instructions qui suivent.

Vous éviterez des dépenses inutiles car le déplacement du technicien du SAV vous sera facturé même pendant la période de garantie.

Dérangement	Cause possible	Remède
L'éclairage ne fonctionne pas.	L'ampoule est grillée.	Changez l'ampoule. Fig. 7 /B <ol style="list-style-type: none"> 1. Éteignez l'appareil. 2. Débranchez la fiche mâle de la prise de courant et / ou ramenez le disjoncteur en position éteinte. 3. Tirez la grille en avant. 4. Changez l'ampoule (Ampoule de rechange : 220–240 V, courant alternatif, culot E14. Puissance : voir l'inscription sur l'ampoule défectueuse).
	L'interrupteur de l'éclairage est coincé.	Vérifiez s'il peut s'enfoncer. Fig. 7 /A
Les aliments congelés sont collés entre eux ou contre une paroi.		Détachez-les à l'aide d'un objet émoussé. Ne les détachez pas avec un couteau ou un objet pointu.
Présence d'une épaisse couche de givre dans le compartiment congélateur.		Dégivrage du compartiment congélateur. Voir la section « Si vous dégivrez l'appareil ». Veillez toujours à ce que la porte du compartiment congélateur soit toujours correctement fermée.
Le fond du compartiment de réfrigération est mouillé.	Les rigoles à eau de dégivrage ou le trou d'écoulement sont bouchés.	Nettoyez les rigoles d'écoulement de l'eau de condensation et le tuyau d'écoulement voir « Nettoyage de l'appareil ». Fig. 8

Dérangement	Cause possible	Remède
La température dans le compartiment réfrigérateur est trop basse.	La porte du compartiment congélateur est ouverte.	Fermez la porte du compartiment congélateur.
	Vous avez mis d'un coup trop de produits à congeler.	Ne dépassez pas la capacité de congélation maximale.
	Le thermostat est réglé trop haut.	Réglez le thermostat sur une température plus basse.
Le groupe frigorifique s'enclenche de plus en plus souvent et longtemps.	Vous avez ouvert fréquemment l'appareil.	N'ouvrez pas l'appareil inutilement.
	Les orifices d'apport et d'évacuation d'air sont recouverts par des objets faisant obstacle.	Enlevez ces obstacles.
	Vous avez mis une assez grande quantité d'aliments à congeler.	Ne dépassez pas la capacité de congélation maximale.
L'appareil ne refroidit pas.	Le thermostat se trouve sur la position « 0 ».	Tournez le thermostat pour lui faire quitter la position « 0 ». Fig. 2/A
	<ul style="list-style-type: none"> ■ Coupure de courant. ■ Le fusible / disjoncteur a été retiré / se trouve en position éteinte. ■ Fiche mâle incorrectement branchée dans la prise de courant. 	Vérifiez s'il y a du courant, vérifiez les fusibles / disjoncteurs.

Service après-vente

Pour connaître le service après-vente situé le plus près de chez vous, consultez l'annuaire téléphonique ou le répertoire des services après-vente (SAV). Veuillez indiquer au SAV le numéro de série (E-Nr.) de l'appareil et son numéro de fabrication (FD).

Vous trouverez ces indications sur la plaque signalétique Fig. **11**

Aidez-nous à éviter des déplacements inutiles : indiquez les numéros de série et de fabrication. Vous économiserez ainsi des suppléments de frais inutiles.

Commande de réparation et conseils en cas de dérangements

Vous trouverez les données de contact pour tous les pays dans l'annuaire ci-joint du service après-vente.

FR 01 40 10 11 00
B 070 222 141
CH 0848 840 040

مشکل موجود	علت احتمالی	برطرف کردن مشکل
سیستم سرد کننده در فواصل هر چه کوتاهتری روشن می‌شود و هر بار مدت بیشتری روشن می‌ماند.	احتمالاً در دستگاه مکرراً باز و بسته شده باشد.	در دستگاه را بی دلیل باز نکنید.
	مجراهای ورود و خروج هوا مسدود شده است.	موانع را برطرف کنید.
	شاید مقادیر زیادی مواد خوراکی تازه در یک زمان فریز کرده آید.	از میزان حداکثر ظرفیت فریزر تجاوز نکنید.
یخچال خوب سرد نمی‌کند.	شاید دکمه تنظیم دما روی وضعیت «0» قرار گرفته باشد.	دکمه تنظیم دما را از وضعیت «0» خارج کنید. تصویر 2/A
	■ قطع برق	کنترل کنید که آیا برق در مدار وجود دارد یا خیر. فیوز را امتحان کنید.
	■ فیوز برق قطع شده است	
	■ دوشاخه کابل درست در پریز قرار ندارد.	

سرویس دهی به مشتریان

برای یافتن آدرس نمایندگی های مجاز نزدیک به محل زندگی خود به دفترچه تلفن یا فهرست آدرس مراجعه کنید. لطفاً شماره مدل دستگاه خود (E-Nr.) و همچنین شماره ساخت (FD-Nr.) را به سرویسکار ارائه دهید. این اطلاعات را در پلاک مدل متصل شده در دستگاه مشاهده می‌کنید. تصویر 11

لطفاً به منظور جلوگیری از ایاب و ذهاب غیرضروری مأموران سرویس، اطلاعات صحیح مربوط به شماره مدل و شماره ساخت را به افراد مذکور ارائه دهید. در این صورت از پرداخت مخارج اضافی جلوگیری خواهد شد.

مراجعه به مرکز خدمات پس از فروش برای تعمیر و مشاوره در هنگام بروز اشکال

در فهرست ضمیمه نشانی مراکز خدمات پس از فروش در همه کشورهای جهان را خواهید یافت.

مشکلات کوچکی که می توان آنها را برطرف نمود

قبل از تماس تلفنی با سرویسکار دستگاه:

بررسی کنید که آیا خودتان می توانید اشکالات ایجاد شده را با توجه به نکاتی که در پایین صفحه گفته شده رفع نمایید یاخیر.

مخارج مشاوره یا حمل و نقل و سرویس دهی حتی در طول مدت گارانتی به عهده مشتری است.

مشکل موجود	علت احتمالی	برطرف کردن مشکل
روشنائی کار نمی کند.	لامپ سوخته یا خراب است.	لامپ معیوب را تعویض کنید. تصویر 7/B 1. دستگاه را خاموش کنید. 2. دوشاخه را از پریز بکشید یا فیوز را قطع کنید. 3. حفاظ سیمی را به جلو بکشید. 4. لامپ را تعویض کنید (مشخصات لامپ تعویضی: 220 تا 240 ولت، برق متناوب، پایه E14، اندازه وات را از روی لامپ سوخته شناسائی کنید).
	کلید لامپ گیر دارد.	کنترل کنید که آیا کلید تکان می خورد. تصویر 7/A
مواد غذائی منجمد به دیواره فریزر چسبیده اند و جدا نمی شوند.		مواد منجمد را با یک جسم کند از یخچال جدا کنید. از بکار بردن چاقو یا اشیا تیز خودداری کنید.
داخل بخش فریزر برفک ضخیم زده است.		بخش فریزر را دیفرایز کنید (فصل مربوط به دیفرایز را بخوانید). همیشه مراقب باشید که در فریزر درست بسته باشد.
کف محفظه سرد کننده مرطوب است.	احتمالا ناودان برفاب و سوراخ فاضلاب گرفته باشند.	ناودان جریان آب ناشی از ذوب یخ و لوله جریان آب را تمیز کنید (مراجعه کنید به بخش تمیز کردن دستگاه). تصویر 8
درجه حرارت محفظه سرد کننده به زیادی سرد است.	احتمالا در فریزر باز مانده باشد.	در فریزر را ببندید.
	شاید در آن واحد مقادیر زیادی مواد خوراکی به داخل فریزر برای یخ زدن گذاشته اید.	میزان مواد موجود جهت انجماد نباید از حداکثر توان انجماد بیشتر شود.
	احتمالا دکمه تنظیم دما روی درجه خیلی بالا قرار گرفته باشد.	دکمه دما را روی درجه پائین تر قرار دهید.

صرفه جویی در مصرف انرژی

- دستگاه را در یک محل خشک و قابل تهویه قرار دهید. دستگاه نباید به طور مستقیم در معرض نور آفتاب و یا در نزدیکی یک منبع حرارتی قرار گیرد (برای مثال بخاری یا اجاق). در صورت امکان از یک سطح عایق استفاده نمایید.
- خوراکی ها و مایعات گرم را ابتداء پس از خنک شدن کامل به داخل دستگاه بگذارید.
- جهت یخزدایی غذاهای منجمد ابتدا آنها را در محفظه یخچال قرار دهید. در این صورت می توان از سرمای آنها برای سرد شدن بیشتر محفظه سرد کننده دستگاه استفاده نمود.
- درب یخچال را تنها به مدت بسیار کوتاهی باز نگهدارید.
- ففسه فریزر را مرتب دیفرایز کنید!
- قشر نازک یخ تشکیل شده در محفظه انجماد سبب کاهش سرمادهی به مواد منجمد شده و علاوه بر آن مصرف برق را افزایش می دهد.
- مواظب باشید که در فریزر همیشه بسته باشد.
- قسمت پشت دستگاه را مرتب با جاروبرقی یا یک برس تمیز کنید تا بدین وسیله از مصرف اضافی برق جلوگیری شود.

صداهای ناشی از کارکرد دستگاه

صداهای کاملاً طبیعی

صدائی شبیه «غُرُونْد»

موتورها دارند کار می کنند (مثلا ماشین سرمازا، دستگاه دمنده)

صدای «پولوق پولوق»، «وِز وِز» و «غَرَّغَره»

از گردش ماده سرمازا در لوله ها ایجاد می شود.

صدای تَک تَک

موتور، کلید یا سوپاپ های مغناطیسی خاموش و روشن می شوند.

صداهایی که به آسانی برطرف می شود

دستگاه تراز نیست

لطفا دستگاه را به کمک يك وسیله تراز کنید. در این موارد از پیچ های پایه دستگاه استفاده کنید یا چیزی زیر آن بگذارید.

دستگاه «لَم» داده است

لطفا دستگاه را از مبل یا چیزهایی که به آن لم داده، دور کنید.

جعبه ها یا ففسه لق شده اند یا گیر کرده اند

لطفا همه قطعات جداشدنی را از جای شان بردارید و آن ها مجدداً نصب کنید.

بطری ها یا ظروف به هم ماس شده اند

لطفا بطری ها و ظرف ها را کمی از هم جدا کنید.

تجهیزات دستگاه

تمام قطعات قابل جابجایی دستگاه را می توان به منظور نظافت از دستگاه خارج کرد.

خارج کردن قفسه های شیشه ای از دستگاه ۱

تصویر 5

قفسه شیشه ای را کمی بلند کرده به طرف جلو بکشید. و سپس به پائین کج کرده و از پهلو خارج کنید.

ناودان برفاب

ناودان برفاب و سوراخ فاضلاب را مرتبا با وسیله ای مانند «گوش پاک کن» تمیز کنید. تا برفاب بتواند از مجرا خارج شود. تصویر 8

خارج کردن قفسه های توی در

قفسه را کمی به طرف بالا کشیده و از جایش خارج کنید.

تصویر 10

خارج کردن جعبه از دستگاه

جعبه را تا نقطه گیر بیرون بکشید. سپس کمی از جلو بلند کرده و از دستگاه خارج کنید. تصویر 4

تمیز نمودن دستگاه

⚠ توجه

- هرگز از مواد پاك کننده ماسه ای یا سابنده یا اسیدی یا مواد حلال استفاده نکنید.
- هرگز از ابر های ساینده یا خراشنده استفاده نکنید. در سطوح فلزی دستگاه ممکن است خوردگی یا ساییدگی ایجاد شود.
- هرگز قفسه ها یا ظروف دستگاه را در ماشین ظرفشویی شستشو ندهید. این قطعات ممکن است در ماشین ظرفشویی تغییر فرم دهند!

به ترتیب زیر عمل کنید:

1. قبل از شروع نظافت، دستگاه را خاموش کنید.
2. پریز را از برق بکشید یا فیوز آن را قطع کنید!
3. مواد خوراکی یخزده را از دستگاه خارج کرده و در جایی خنک نگهداری کنید.
4. دستگاه را با یک پارچه نرم و آب ولرم و با اندکی مایع ظرفشویی ملایم پاک کنید. آب شستشو نباید به قسمت روشنایی دستگاه برسد.
5. آب بندی های در را فقط با آب خالص پاك کنید و سپس بدقت با کشیدن دستمال خشك کنید.
6. مواضب باشید که آب شستشو از طریق سوراخ فاضلاب به قسمت تبخیر دستگاه جاری نشود.
7. پس از تمیزکاری، دستگاه را مجدداً به برق وصل کرده و روشن کنید.
8. خوراکی های یخزده را مجدداً در فریزر بگذارید.

یخزدائی

یخ موجود در محفظه سردکننده به طور اتوماتیک ذوب می شود

همزمان با کار سیستم سرد کننده، در دیوار پشتی داخل محفظه قطرات ناشی از ذوب آب و یا قشر نازک یخ تشکیل می گردد. این پدیده از عملکرد دستگاه ناشی می شود و لازم نیست که شما این قطرات آب ناشی از ذوب یخ و یا قشر نازک یخ را پاک کنید. یخ موجود در دیوار پشتی داخل به طور اتوماتیک ذوب می شود. این آب در ناودان تعبیه شده جریان می یابد. تصویر 8

از طریق ناودان مذکور آب به طرف سیستم سرد کننده سرازیر گشته و سپس تبخیر می گردد.

تذکر

ناودان جریان آب و سوراخ جذب آب را تمیز نگه دارید تا جریان آب براحتی انجام گیرد.

یخزدائی (دیفرایز) فریزر

بخش فریزر بطور اتوماتیک دیفرایز می شود. زیرا نباید یخ مواد خوراکی آب شود. اما وجود برفک در فضای فریزر مانع انتقال درست سرما به خوراکی های فریزر می شود. و در نتیجه میزان مصرف برق را بالا می برد. بنابراین فضای فریزر را مرتب دیفرایز کنید.

⚠ توجه

جهت زدودن قشر نازک یخ از بکار بردن چاقو یا اجسام تیز خودداری نمایید. در غیر این صورت لوله های حاوی مواد سرد کننده آسیب می بینند. فوران ماده سرد کننده ممکن است موجب اشتعال این ماده و یا منجر به آسیب دیدگی چشم گردد.

مراحل زیر را دنبال کنید:

تذکر

1. جعبه فریزر با خوراکی های یخزده توی آن را در یک جای خنک نگهداری کنید باتری سرما را (اگر در دسترس دارید) روی خوراکی ها بگذارید.
2. دستگاه را خاموش کنید.
3. دوشاخه را از برق بیرون کشیده و یا فیوز را قطع کنید.
4. برای سرعت بخشیدن به یخزدائی دو قابلمه آب داغ با صفحه زیرقابلمه به داخل قفسه فریزر بگذارید. در دستگاه را ببندید. تا گرمای آب هدر نرود. تصویر 9
5. آب موجود را بوسیله پارچه یا ابر جمع کنید.
6. محفظه فریزر را خشک کنید.
7. دستگاه را مجدداً روشن کنید.
8. مواد منجمد را دوباره در دستگاه قرار دهید.

برچسب «OK»

در همه مدل ها موجود نیست

در صورتی که کنترل دما دارای علامت «OK» باشد، می توان به دمای پائین تر از 4 درجه بالای صفر سانتیگراد رسید. اما اگر کنترل دما دارای علامت «OK» نباشد دمای دستگاه را به تدریج روی درجه سردتر بگذارید.

تذکر

در هنگام راه اندازی دستگاه ممکن است تا رسیدن به درجه دمای مورد نظر تقریباً 12 ساعت طول بکشد.



تنظ یم صحیح

یخزدایی مواد منجمد

جهت یخزدایی مواد منجمد می توان یکی از کارهای زیر را نسبت به مورد استفاده انجام داد:

- قراردادن مواد غذایی در دمای اطاق
- قرار دادن مواد غذایی در یخچال
- قرار دادن مواد غذایی در اجاق برقی با یا بدون استفاده از هوای گرم
- قرار دادن مواد غذایی درون میکروفر.

تذکر

مواد غذایی از انجماد خارج شده را مجدداً فریز ننمایید. تنها پس از کار بر روی این مواد (پختن یا سرخ کردن) می توان این مواد را مجدداً فریز نمود.

در این صورت نباید از حداکثر درجه انجماد استفاده نمود.

خاموش کردن و عدم استفاده از دستگاه برای مدت طولانی

خاموش کردن دستگاه

دکمه تنظیم دما، تصویر 2/A، را روی وضعیت «0» قرار دهید. موتور خنک کننده و روشنایی دستگاه خاموش می شوند.

حالت عدم استفاده

اگر قصد دارید از دستگاه برای مدت طولانی استفاده نکنید:

1. دستگاه را خاموش کنید.
2. جریان برق را با در آوردن دو شاخه قطع نموده و یا فیوز را قطع نمایید.
3. دستگاه را تمیز کنید.
4. درب دستگاه را باز نگه دارید.

تجهیزات

(در همه مدل ها نیست)

قفسه های شیشه ای

تصویر 5

شما می توانید قفسه ها را بسته به نیازتان جابجا کنید: برای این کار قفسه را کمی بلند کرده به طرف جلو بکشید و سپس به پائین کج کنید و از پهلو خارج کنید.

قفسه بطری

تصویر 6

در قفسه بطری می توان بطری هارا با اطمینان خواباند. نگهدارنده بطری قابل جابجائی است.

فریز کردن مواد خوراکی تازه

تنها مواد تازه و سالم را جهت انجماد انتخاب کنید.

برای این که ارزش غذایی، عطر و رنگ خوراکی تا سرحد ممکن حفظ شود، بهتر است که سبزیجات را قبل از فریز کردن در آب جوش غوطه ور (بالانشر) کنید. این کار در مورد بادمجان، فلفل دلمه (پاپریکا)، کدو خورشیدی و مارچوبه لازم نیست.

کتاب های مربوط به روش فریز کردن و بالانشر کردن، در کتابفروشی های تخصصی عرضه می شود.

تذکر

مواد آماده برای انجماد را با مواد غذایی منجمد در یک محل قرار ندهید، مواد غذایی را قبل از انجماد طوری بسته بندی کنید که هوا وارد نشود.

خوراکی های مناسب برای فریز کردن:

کیک و شیرینی تازه، ماهی و خوراکی های دریائی، گوشت، گوشت شکار، گوشت پرندگان، سبزیجات، میوه، گیاهان ادویه ای، زرده و سفیده تخم مرغ بدون پوست، لبنیات مانند پنیر، کره و پنیر تازه، غذای آماده، باقیمانده غذا نظیر سوپ، آش، گوشت و ماهی پخته، سوفله و خوراکی های شیرین.

خوراکی های نامناسب برای فریز کردن:

سبزیجاتی که معمولاً آن را خام می خورند، مانند کاهو های سالاد، تربچه، تخم مرغ کامل، انگور، سیب درسته، گلابی و هلو، تخم مرغ پخته سفت، ماست، شیر، خامه ترش، سرشیر و مایونیز.

تذکر

هنگام انجماد مواد غذایی تازه، سیستم سردکننده تا زمان انجماد کامل این مواد به طور اتوماتیک کار می کند. تحت شرایط موجود دمای یخچال کاهش می یابد. دکمه انتخاب درجه حرارت را روی درجات کمتر میزان نمایید.

بسته بندی مواد یخزده

با این کار مزه آنها حفظ شده و از خشک شدن آنها جلوگیری می شود.

1. مواد غذایی را درون پاکت بسته بندی قرار دهید.
2. هوا را بطور کامل با فشار خارج نمایید.
3. در بسته را خوب ببندید.
4. بر روی بسته بندی نام محتوا و تاریخ بسته بندی را بنویسید.

مواد نامناسب برای استفاده جهت بسته بندی:

کاغذهای ضخیم، کاغذ پرگامنت، سلوفان، کیسه زباله و کیسه خرید استفاده شده.

مواد مناسب جهت بسته بندی:

فویل های ساخته شده از مواد مصنوعی، فویل های لوله ای ساخته شده از پلی اتیلن، فویل های آلومینیومی و قوطی های مخصوص فریزر. مواد مذکور در مغازه های مربوطه یافت می شوند.

مواد مناسب برای محکم کردن درب بسته بندی:

بست یا کلیپس های ساخته شده از مواد مصنوعی، حلقه های لاستیکی، نخ های بسته بندی، نوار چسب های مقاوم در برابر سرما و غیره. شما می توانید کیسه و فویل های پلی اتیلنی را با دستگاه مسدود کننده کیسه های فویلی مسدود نمایید.

زمان نگهداری مواد غذایی

این زمان بستگی به نوع ماده غذایی دارد و با درجه حرارت متوسط به ترتیب زیر می باشد 18- درجه سانتی:

- ماهی، سوسیس، غذاهای آماده و شیرینی ها: تا حداکثر 6 ماه
- پنیر، گوشت پرندگان، مرغ و گوشت: تا حداکثر 8 ماه
- سبزی و میوه: تا حداکثر 12 ماه

فریز کردن و انبار کردن مواد غذایی

خرید مواد خوراکی یخ زده

- بسته بندی نباید صدمه دیده باشد.
- تاریخ مصرف باید در نظر گرفته شود.
- درجه حرارت در محفظه فروش مواد غذایی منجمد باید 18- درجه سانتی گراد یا حتی کمتر باشد.
- حتی الامکان مواد مذکور را در یک کیسه عایق حمل نموده و به سرعت آنها را در فریزر قرار دهید.

در هنگام چیدن مواد خوراکی

در دستگاه توجه کنید

مواد خوراکی در اندازه های بزرگ را در بالاترین قفسه، فریزر کنید، چون در آنجا مواد خوراکی سریعتر یخ می زنند و نتیجتاً ارزش غذایی آن ها بهتر نگهداری می شود. خوراکی ها را به صورت پهن در قفسه ها و جعبه قرار دهید. خوراکی هایی که قبلاً یخ زده، نباید با خوراکی هایی که تازه در فریزر می گذارید تماس شوند. در صورت لزوم خوراکی های کاملاً یخ زده را در جعبه فریزر تلمبار کنید.

انبار کردن مواد یخزده

برای این که گردش هوا بدرستی در داخل فریزر انجام گیرد، باید ظروف داخل فریزر را طوری به داخل فشار داد که خوب جا بیفتد.

فضای فریزر

استفاده از فضای فریزر

- برای نگهداری خوراکی های یخزده
- برای تهیه یخ حبه ای
- برای فریز کردن مواد خوراکی

تذکر

مراقب باشید که درب فریزر همیشه بسته باشد! گر در فریزر باز بماند، یخ مواد خوراکی ذوب می شود و داخل فریزر به شدت برفک و یخ می زند. علاوه براین: در اثر مصرف زیاد برق انرژی به هدر می رود.

حداکثر گنجایش فریزر

اطلاعات مربوط به حداکثر گنجایش فریزر در مدت 24 ساعت در تابلو مشخصات مندرج است (مراجعه کنید به بخش سرویس دهی به مشتریان).

از ظرفیت فریزر به طور کامل استفاده

کنید

برای این که بتوانید از حداکثر گنجایش فریزر استفاده کنید، می توانید قطعات داخلی آن (مانند جعبه یا سبد) را خارج کنید. در این صورت خوراکی ها را مستقیماً روی قفسه ها و کف فریزر انباشت کنید.

برداشتن تجهیزات داخلی فریزر

جعبه خوراکی های یخزده را تا نقطه گیر بیرون بکشید و سپس آن را از جلو کمی بلند کرده و خارج کنید. تصویر 4

تنظیم درجه حرارت

فضای فریزر

دکمه تنظیم دما، تصویر 2/A، را روی درجه دلخواه بچرخانید.

اگر درجه یخچال را روی درجه متوسط تنظیم کنید دمای یخچال حدود +4 درجه سانتی گراد در منطقه ای که کمترین دما را دارد، تصویر 3، خواهد بود.

درجات بالاتر دمای کمتری را در قسمت یخچال و فریزر نشان می دهد.

پیشنهاد می شود که:

- خوراکی های حساس در دمای گرم تر از +4 درجه سانتیگراد نگهداری نشود.

- برای نگهداری کوتاه مدت خوراکی ها دمای دستگاه را روی درجه پایین تنظیم کنید (کارکرد صرفه جویانه دستگاه).

- برای نگهداری درازمدت خوراکی ها دمای دستگاه را روی درجه متوسط تنظیم کنید.

- از تنظیم درجه بالای دما فقط موقتا و در مواقع باز و بسته شدن مکرر در دستگاه و نیز در هنگام گذاشتن مقادیر زیاد خوراکی به داخل یخچال استفاده کنید.

میزان سردکنندگی دستگاه

درجه حرارت در محفظه سرد کننده می تواند در اثر افزایش مقدار مواد غذایی و نوشیدنی ها به طور موقت افزایش یابد.

بنابر این بهتر است برای تقریباً 7 ساعت دکمه انتخاب درجه حرارت را روی درجه بالاتر تنظیم نمایید.

فضای فریزر

دمای فضای فریزر وابسته به دمای فضای یخچال است.

سردتر شدن دمای داخل یخچال باعث سردتر شدن دمای داخل فریزر می شود.

حجم مفید

اطلاعات مربوط به حجم مفید دستگاه را می توانید در پلاک مدل نصب شده در داخل دستگاه مشاهده کنید.

قسمت یخچال

قسمت یخچال بهترین جای نگهداری غذاهای آماده، شیرینی تازه و کیک، کنسرو، شیرعسل، پنیر خشک، میوه حساس و آسیب پذیر از سرما، سبزیجات و میوه های گرمسیری.

هنگام قرار دادن مواد غذایی در یخچال

به موارد زیر توجه کنید

مواد غذایی را پس از بسته بندی مناسب یا با درپوش در یخچال قرار دهید. بدین ترتیب عطر و طعم و تازگی و رنگ آنها حفظ می شود. علاوه بر آن انتقال طعم و بو به مواد غذایی دیگر و تغییر رنگ قسمت های پلاستیکی جلوگیری می شود.

تذکر

از ماس شدن خوراکی ها با جداره عقب دستگاه اجتناب کنید. وگرنه گردش هوای داخل دستگاه مختل می شود.

مواد خوراکی و یا بسته بندی ها ممکن است در اثر یخزدگی به جداره عقب دستگاه بچسبند.

به مناطق سرد یخچال توجه کنید!

چرخش هوا در یخچال سبب تشکیل بخش های سرمای با درجه حرارت متفاوت می گردد که در زیر به آنها اشاره می شود:

- سردترین منطقه یخچال محدوده ای است میان فلش روی جداره کناری تا قفسه شیشه ای پایین آن. تصویر 3

تذکر

در سردترین قسمت می توانید مواد غذایی حساس را نگهداری کنید (به عنوان مثال ماهی، سوسیس و گوشت).

- گرم ترین بخش در قسمت بالا در کنار درب

تذکر

در گرم ترین بخش دستگاه می توانید موادی نظیر کره و پنیر نگه داری کنید. در این صورت پنیر عطر و طعم خود را حفظ کرده و کره نیز نرم می ماند بطوریکه مالیدن آن روی نان مشکل نباشد.

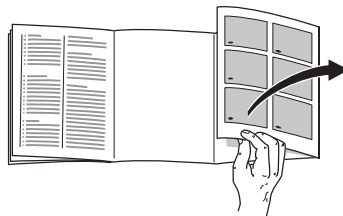
روشن کردن دستگاه

دکمه تنظیم دما، تصویر 2/A، را از وضعیت «0» خارج کنید. دستگاه شروع به خنک کردن می کند. روشنایی دستگاه در حالت باز بودن در به کار می افتد.

تذکراتی در باره کارکرد دستگاه

- بخشی از قسمت جلوی دستگاه اندکی گرم می شود. تا از ایجاد عرق و رطوبت در قسمت آب بندی درب دستگاه جلوگیری شود.
- اگر درب فریزر پس از بسته شدن، بلافاصله مجدداً باز نشود، دو تا سه دقیقه تأمل کنید. تا فشار داخل فریزر تعادل بیابد.
- درجه حرارت یخچال به دلایل زیر گرم تر می شود:
 - باز و بسته نمودن مرتب درب یخچال،
 - قرار دادن مقدار زیاد مواد غذایی درون یخچال،
 - درجه حرارت بالای محیط اطراف.

آشنایی با دستگاه



لطفاً صفحه آخر دفترچه را باز کرده و به تصاویر آن نگاه کنید. این دفترچه راهنمای مصرف برای چند مدل مختلف تدوین شده است. تجهیزات مدل های مختلف ممکن است باهم متفاوت باشند. بنابراین امکان تفاوت هائی در تجهیزات و جزئیات با تصاویر عرضه شده وجود دارد.

تصویر 1

- 1 تنظیم کننده دما/روشنائی
- 2 کلید چراغ
- 3 قفسه شیشه ای یخچال
- 4 قسمت ویژه سبزیجات
- 5 جعبه خوراکی های فریزر
- 6 قفسه داخل در
- 7 قفسه مخصوص بطری های بزرگ

A قسمت یخچال

B قسمت فریزر

چگونگی اتصال دستگاه

بعد از استقرار دستگاه و قبل از اتصال آن به برق باید حداقل 1 ساعت صبر کنید، چون ممکن است در خلال حمل و نقل روغن داخل کمپرسور به سیستم سردکننده سرایت کرده باشد.

در حین حمل احتمال دارد که روغن موجود در کمپرسور در سیستم سرد کننده جمع گردد (مراجعه کنید به بخش تمیز کردن دستگاه).

اتصال به شبکه برق

پریز برق باید نزدیک به دستگاه و حداکثر تا 3 متر از نصب دستگاه هم به خوبی در دسترس باشد.

این دستگاه منطبق است با استاندارد ایمنی درجه 1. این دستگاه را از طریق پریز مجهز به اتصال محافظ زمین که مطابق مقررات مونتاژ شده باشد، به برق متناوب 220 تا 240 ولت/50 هرتس وصل کنید. پریز برق باید دارای فیوز 10 تا 16 آمپر باشد.

جهت دستگاه هایی که در کشورهای غیراروپایی مورد استفاده قرار می گیرند، باید به پلاک مدل نصب شده در دستگاه مراجعه کنید تا مشخص گردد که آیا مشخصات داده شده در مورد ولتاژ برق با آنچه در کشور شما متداول است تطبیق می نماید یا خیر. این اطلاعات در تابلو مشخصات مندرج است. تصویر 11

به دمای محیط و تهویه آن

توجه کنید

دمای محیط

این دستگاه برای منطقه جوی خاصی برنامه ریزی شده است. بسته به نوع منطقه جوی می توان این دستگاه را در دماهای زیر به کار انداخت.

نوع منطقه جوی در تابلو مشخصات مندرج است.

تصویر 11

نوع محیط	درجه حرارت مجاز
SN	+10 تا 32 درجه سانتیگراد
N	+16 تا 32 درجه سانتیگراد
ST	+16 تا 38 درجه سانتیگراد
T	+16 تا 43 درجه سانتیگراد

هشدار

این دستگاه در محدوده های دما که در جدول بندی منطقه های جوی اعلام شده، بخوبی کار می کند. اگر دستگاهی را که برای منطقه جوی SN ساخته شده، در دمای سردتر به کار بیاورید، آسیب هایی که به دستگاه وارد می شود تا میزان +5 سانتیگراد می تواند مشمول ضمانت باشد.

تهویه

ورود و خروج هوای سیستم سرد کننده تنها از طریق دریچه هوای موجود در پایه دستگاه میسر است. به هیچ وجه نباید دریچه هوا بسته و یا چیزی در جلوی آن قرار داده شود، در غیر این صورت سیستم سرد کننده بیش از حد معمول فعال می شود که سبب افزایش مصرف برق خواهد شد.

3. قفسه ها و جعبه ها را از دستگاه خارج نکنید تا کودکان نتوانند به داخل دستگاه بروند.
4. نگذارید کودکان با دستگاه های از کارافتاده بازی کنند. خطر خفگی در داخل دستگاه!

دستگاه های سرد کننده دارای مواد سرد کننده بوده و در قسمت عایق بندی شده نیز گاز وجود دارد. مواد سرد کننده و گاز موجود باید با روشی تخصصی دفع گردند. لوله های چرخش مواد سرد کننده تا زمان دفع تخصصی آنها توسط افراد متخصص باید سالم بمانند.

محتویات بسته کالا

پس از باز کردن بسته بررسی کنید که هیچ یک از قطعات داخل آن در هنگام حمل و نقل آسیبی ندیده باشد. در صورت مشاهده اشکال به فروشنده ای که دستگاه را از او خریده اید یا مرکز خدمات پس از فروش برای رفع اشکال مراجعه کنید.

بسته دستگاه شامل قطعات زیر است:

- دستگاه توکار
- تجهیزات دستگاه (بسته به نوع مدل)
- دفترچه راهنمای استفاده
- دفترچه راهنمای مونتاژ
- فهرست مراکز خدمات پس از فروش
- برگه ضمانت
- اطلاعاتی در باره مصرف انرژی و صداهای دستگاه
- پاکت حاوی وسائل مونتاژ


چگونگی دفع مواد زائد

دفع مواد بسته بندی

بسته بندی دستگاه جهت جلوگیری از خسارت به دستگاه شما می باشد. کلیه مواد موجود در بسته بندی غیرآلاینده بوده و قابل استفاده مجدد می باشند. لطفاً همکاری نموده و این مواد را مطابق با مقررات زیست محیطی دفع نمایید. لطفاً جهت چگونگی دفع این مواد با روش مدرن، اطلاعات لازم را از فروشنده و یا از شهرداری محل خود کسب نمایید.

چگونگی دفع دستگاه های قدیمی

دستگاه های قدیمی زباله بی ارزش محسوب نمی شوند. با روش صحیح دفع مطابق با مقررات زیست محیطی می توان مواد خام با ارزشی را بازیافت کرد.

این دستگاه مطابق با مقررات اروپایی شماره 2002/96/EG برای دستگاه های برقی و الکترونیکی در مورد 

(WEEE – waste electrical and electronic equipment)

می باشد. این اساسنامه در سراسر اتحادیه اروپا چارچوبی را جهت بازیافت گسترده مواد زائد و دستگاه های قدیمی ارائه می نماید.

هشدار

پس از غیر قابل استفاده شدن دستگاه

1. دوشاخه را از برق بیرون بکشید.
2. کابل را قطع نموده و سیم برق را جدا کنید.

وجود کودکان در خانه

- مواد بسته بندی و قطعات آن را در اختیار کودکان نگذارید. خطر خفگی بوسیله کارتون های ناشو و مشماهای بسته بندی وجود دارد!
- این دستگاه اسباب بازی کودکان نیست!
- در مورد دستگاه هائی که درشان قفل دارد: کلید را دور از دسترس کودکان نگهداری کنید!

مقررات کلی

- این دستگاه برای مصارف زیر مناسب است برای خنک کردن و اجماد مواد خوراکی.
- استفاده از این دستگاه فقط در مصارف خانگی و استفاده شخصی و در محیط خانگی مجاز است.
- این دستگاه فقط برای مصارف خانگی تولید شده است.
- این دستگاه مطابق استاندارد شماره (2004/108/EC) اتحادیه اروپا دارای امکان عدم اخلاص امواج رادیویی است.
- چرخش مواد سردکننده از نقطه نظر عدم نشست مورد آزمایش قرار گرفته است.
- این دستگاه مطابق مقررات معتبر مربوط به ایمنی دستگاه های الکتریکی (EN 60335-2-24) ساخته شده است.

- از پایه دستگاه، قطعات کشوئی، درب ها و غیره بعنوان رکاب برای تکیه دادن و بالا رفتن استفاده نکنید.
- هنگام یخزدایی و تمیز کردن دستگاه، آن را از برق جدا کرده یا فیوز را قطع نمایید. دوشاخه را از پریز جدا کنید، کابل را نکشید.
- درب مواد حاوی الکل زیاد را فقط محکم بسته و بحالت ایستاده نگهداری کنید.
- قسمت های لاستیکی و درزگیرهای درب را با روغن یا چربی آغشته نکنید. در غیر اینصورت، قسمت های مذکور متخلخل می شوند.
- درپچه های ورود و خروج هوا را هرگز مسدود و یا بسته نگه ندارید.
- استفاده از این دستگاه توسط اشخاصی (با شمول کودکان) که دارای محدودیت جسمی یا روحی یا حساس باشند یا از اطلاعات کمتری برخوردارند فقط زیر نظر یا راهنمایی کامل اشخاص صلاحیت دار که مسئولیت ایمنی آنان را به عهده دارند، مجاز است.
- هرگز مایعات را در شیشه یا قوطی کنسرو در فریزر نگهداری نکنید (به ویژه نوشیدنی های حاوی گاز کربنیک) در غیر این صورت خطر ترکیدن شیشه یا کنسرو وجود دارد.
- هرگز مواد یخزده را بلافاصله پس از خروج از فریزر وارد دهان ننمایید.
- خطر سوزش ناشی از مواد یخزده!
- از تماس طولانی دست با مواد یخ زده، یخ و یا لوله های تبخیر فریزر و غیره خودداری کنید.
- خطر سوزش ناشی از مواد یخزده!

اگر کابل برق دستگاه آسیب دیده باشد، باید توسط سازنده دستگاه، یا مرکز خدمات پس از فروش یا اشخاص با صلاحیت مشابه، تعویض گردد. عملیات تعویضی یا تعمیری دستگاه توسط اشخاص بی صلاحیت ممکن است منجر به خطرات مهم برای مصرف کننده دستگاه بشود.

تعمیر دستگاه فقط توسط سازنده دستگاه یا مرکز خدمات پس از فروش یا اشخاص با صلاحیت مشابه مجاز است.

فقط استفاده از لوازم یدکی اورجینال سازنده دستگاه مجاز است. فقط در صورت استفاده از این لوازم یدکی، سازنده تأمین حداکثر ایمنی دستگاه را ضمانت می کند.

سیم رابط دستگاه فقط از مرکز خدمات پس از فروش قابل تهیه است.

هنگام استفاده از دستگاه به نکات زیر توجه کنید

- هرگز دستگاه های برقی دیگر را در داخل این دستگاه بکار نگیرید (بطور مثال دستگاه گرم کننده، یخ ساز برقی و غیره).
خطر انفجار!
- هرگز جهت یخزدایی یا تمیزکردن دستگاه از دستگاه بخارشور استفاده نکنید. در این صورت، بخار به درون بخش های الکتریکی نفوذ کرده و منجر به قطع برق می گردد.
خطر برق گرفتگی!
- هرگز برای زدودن لایه های نازک یخ یا جدا کردن مواد یخزده که به دیواره فریزر چسبیده اند، از چاقو یا اجسام تیز استفاده نکنید. این امر می تواند به آسیب دیدن لوله های مواد سردکننده منجر گردد. نشست مواد سرد کننده، عفونی شدن و یا صدمه دیدن چشم را در پی دارد.
- هرگز دستگاه را با گازهای قابل اشتعال نظیر اسپری ها و همچنین مواد منفجر شونده در یک محل انبار نکنید.
خطر انفجار!

دستورالعمل های ایمنی و هشدارها

قبل از شروع به کار و استفاده از دستگاه

دستورالعمل های استفاده از دستگاه و چگونگی نصب قطعات آن را به دقت مطالعه نمایید. این دستورالعمل ها حاوی اطلاعات مهمی در مورد چگونگی نصب، استفاده و نگهداری دستگاه می باشند.

کلیه دستورالعمل ها را جهت استفاده بعدی یا برای استفاده صاحب بعدی دستگاه نگهداری کنید.

امنیت تکنیکی

این دستگاه به مقدار کم حاوی ماده سرد کننده قابل اشتعال R600a می باشد که با قوانین زیست محیطی مطابقت دارد. بنابراین مراقب باشید که لوله های پرخش مواد سرد کننده هنگام حمل و نقل و نصب قطعات دستگاه آسیب نبینند. پاشیده شدن مواد سرد کننده به بیرون، سبب آسیب دیدن چشم و یا عفونی شدن آن می گردد.

در صورت آسیب دیدن این لوله ها به نکات زیر توجه کنید

- آتش و یا منبع ایجاد آتش را از دستگاه دور نگه دارید.
 - به مدت چند دقیقه فضا را تهویه نمایید.
 - دستگاه را خاموش کرده و دوشاخه را از پریز بکشید.
 - بخش خدمات دستگاه را از جریان مطلع نمایید.
- هرقدر میزان مواد سردکننده در دستگاه بیشتر باشد، به همان نسبت باید فضای دربرگیرنده دستگاه بزرگتر باشد- در یک فضای کوچک، در صورت نشست، مخلوطی ازگاز و هوای قابل اشتعال تشکیل می گردد.
- به ازای هر هشت گرم مواد سردکننده باید محل قراردادن دستگاه حداقل یک متر مکعب فضا داشته باشد. مقدار مواد سرد کننده دستگاه شما در داخل صفحه مشخص کننده نوع دستگاه نوشته شده است.

العطل	السبب المحتمل	إزالة الأعطال
انخفاض درجة الحرارة داخل حيز التبريد أكثر مما ينبغي.	باب حيز التجميد مفتوح.	يتم إغلاق باب حيز التجميد.
	تم تجميد كمية كبيرة من المواد الغذائية دفعة واحدة.	لا تتعدى أقصى كمية للتجميد.
	مفتاح تنظيم درجة الحرارة مضبوط على درجة أعلى مما ينبغي.	يتم ضبط مفتاح تنظيم درجة الحرارة على درجة أقل.
محرك التبريد يعمل دائماً لفترات أكثر وأطول من المعتاد.	باب الجهاز تم فتحه لمرات عديدة متتالية.	لا يجب فتح الباب إلا عند الضرورة.
	فتحات التهوية وتصريف الهواء مغطاة.	إزالة عوائق التهوية وتصريف الهواء.
	تم تجميد كمية كبيرة من المواد الغذائية الطازجة.	يجب الالتزام بسعة التجميد القصوى للجهاز.
الثلاجة ليس لديها قدرة على التبريد.	مفتاح تنظيم درجة الحرارة مضبوط على وضع «0».	يتم إدارة مفتاح تنظيم درجة الحرارة وضبطه على درجة أعلى من وضع «0». الصورة 2/A
	■ انقطاع التيار الكهربائي.	يجب التأكد من وجود تيار كهربائي واختبار سلامة مفتاح المنصهر الرئيسي.
	■ مفتاح المنصهر الرئيسي ليس في وضع التشغيل.	
	■ قد تم وضع القابض في المقبس بطريقة صحيحة.	

مراكز خدمة العملاء

سوف تجد رقم الهاتف الخاص بأقرب مركز خدمة العملاء لك بدليل التليفون الرسمي أو في قائمة فهرس مراكز خدمة العملاء. رجاء ذكر رقم المنتج (E-Nr.) وكذلك رقم التصنيع (FD-Nr.) الخاص بالجهاز لمركز خدمة العملاء.

سوف تجد هذه البيانات بلوحة الطراز. الصورة 11

الرجاء مساعدة مركز خدمة العملاء على توفير نفقات غير ضرورية ذلك بذكر رقم المنتج ورقم التصنيع حيث يمكن بذلك توفير نفقات إضافية قد تنشأ نتيجة لعدم ذكر تلك البيانات.

التكليف بأعمال إصلاح وتقديم المشورة في حالات الخلل

بيانات الاتصال الخاصة بجميع الدول جَدونها في سجل مراكز خدمة العملاء المورد مع الجهاز.

إزالة الأعطال البسيطة بنفسك

قبل استدعاء مركز خدمة العملاء:

اخبتر بنفسك إذا ما كان من الممكن إزالة الأعطال بنفسك بناء على التعليمات التالية. يجب عليك أن تتحمل بتكاليف استشارة مركز خدمة العملاء بنفسك حتى أثناء فترة الضمان!

العطل	السبب المحتمل	إزالة الأعطال
الإضاءة الداخلية لا تعمل.	المصباح تالف كما في.	استبدال المصباح التالف. الصورة 7/B 1. يتم إبطال عمل الجهاز. 2. يتم فصل التيار الكهربائي بسحب القابس من المقبس أو إغلاق مفتاح المنصهر. 3. يتم سحب شبكة تغطية المصباح نحو الأمام. 4. استبدال المصباح بمصباح بديل (المصباح البديل، 220-240 فولت تيار متردد، قاعدة المصباح E14، واط أنظر المصباح التالف).
مفتاح الإضاءة منحشر كما في.	اختبر إذا أمكن تحريكه. إن لم تستطع تحريكه يرجى الاتصال بأحد مراكز الخدمة. الصورة 7/A	
المواد الغذائية المجمدة ملتصقة بالجهاز.	قم بنزع المواد الغذائية المجمدة الملتصقة بالجهاز باستخدام أية آلة غير حادة. منوع استخدام السكين أو أية آلة حادة.	
توجد طبقة ثلجية سميكة في حيز التجميد.	يتم إزالة الطبقة الثلجية الموجودة في حيز التجميد (أنظر فصل إزالة الطبقة الثلجية). يجب التأكد دائماً من أن باب حيز التجميد مغلق على الوجه الصحيح.	
أرضية حيز التبريد مبللة.	يوجد انسداد في مجاري تصريف ماء ذوبان الطبقة الثلجية أو في ثقب التصريف.	رجاء تنظيف مجاري ماء الذوبان وماسورة التصريف (أنظر تعليمات تنظيف الجهاز). الصورة 8

توفير الطاقة الكهربائية

- يجب نصب الجهاز في حجرة جافة قابلة للتهوية، وعدم تعريض الجهاز لأشعة الشمس المباشرة وعدم وضعه بالقرب من مصدر حراري (مثل جهاز التدفئة أو الموقد). وعند الاضطرار لذلك يفصل بينهما بلوح عازل.
- المواد الغذائية والمشروبات الدافئة يجب تركها خارج الجهاز حتى تكون قد بردت ثم يتم وضعها في الجهاز!
- يفضل وضع المواد الغذائية المجمدة في حيز التبريد حتى يذوب الثلج منها. وبهذا تستخدم البرودة المنبعثة من المواد المجمدة في تبريد المواد الغذائية الأخرى.
- الحرص على عدم فتح باب الثلاجة إلا لفترات قصيرة جداً بقدر الإمكان.
- يجب وبصورة منتظمة إزالة الطبقة الثلجية من حيز التجميد!
- يجب إذابة الصقيع أو الثلج الذي يتكون داخل حيز التجميد حيث أن تكوّن طبقة سميكة من الصقيع يؤثر سلبياً على انتقال البرودة إلى المواد المحفوظة كما يؤدي إلى زيادة استهلاك الطاقة.
- يجب التأكد من أن يكون باب حيز التجميد مغلقاً دائماً.
- يجب تنظيف الجانب الخلفي للجهاز من حين لآخر باستخدام المكنسة الكهربائية أو فرشاه حيث أن ذلك يساعد على تجنب زيادة معدل الاستهلاك للطاقة.

الأصوات الصادرة أثناء عمل الثلاجة

الأصوات العادية تماماً

الهدير

الحركات تعمل (على سبيل المثال وحدات التبريد، المراوح).

أصوات الدمدمة والقرقرة والأزيز

مادة التبريد تنساب خلال مواسير التوصيل.

صوت «كليك»

الحرك أو مفاتيح القطع والوصل أو الصمامات

المغناطيسية يتم تشغيلها/إيقاف تشغيلها.

الأصوات التي يسهل إزالتها

الجهاز ليس منصوب باستواء أفقي

رجاء نصب الجهاز باستواء أفقي بالاستعانة بميزان ماء.

وتستخدم لذلك الحوامل القلاووظ أو يمكن وضع شيء ما تحت الحوامل.

الجهاز «مسنود»

رجاء تحريك الجهاز بعيداً عن الأثاث أو الأجهزة المسنودة عليه.

الحاويات أو أسطح الحفظ تهتز أو منحشرة

رجاء فحص الأجزاء التي يمكن فصلها أو سحبها وإعادة تركيبها مرة أخرى عند اللزوم.

الأواني تلامس بعضها البعض

رجاء تحريك الزجاجات والأواني للفصل بينها قليلاً.

تنظيف الجهاز

⚠ انتبه

- ممنوع تماما استخدام مواد التنظيف التي تحتوي على رمال أو كلوريد أو أحماض أو مواد إذابة كيميائية.
 - ممنوع تماما استخدام قطع الاسفنج الخشنة أو قطع التنظيف المعدنية حيث أنها تلحق أضرار وخدوش بالأسطح المعدنية.
 - ممنوع تماما تنظيف الأرفف والأدرج بغسالة الأواني الكهربائية حيث أن ذلك يؤدي إلى تعرضها للانحناء.
- قم باتباع الخطوات التالية:
1. يجب إبطال عمل الجهاز قبل الشروع في تنظيفه.
 2. يجب فصل الكهرباء عن الجهاز، بسحب القابس من المقبس أو إبطال عمل المنصهر.
 3. يتم إخراج المواد الغذائية المجمدة وحفظها بمكان بارد ووضع ألواح التجميد عليها.
 4. ثم قم بتنظيف الجهاز باستخدام ماء دافئ مخلوط بقليل من مادة غسيل الأطباق. ويجب مراعاة عدم دخول ماء التنظيف إلى داخل واجهة المراقبة.
 5. يجب تنظيف حشية الباب عن طريق مسحها بالماء النظيف دون خلطه بأية مواد تنظيف وخصفها بعد ذلك جيدا بفوطة جافة.
 6. يجب مراعاة عدم تسرب ماء الغسيل من خلال ثقب التصريف إلى وعاء التبخير.
 7. بعد الانتهاء من التنظيف قم بتوصيل الجهاز بالتيار الكهربائي وأعد تشغيله
 8. يتم إعادة وضع المواد الغذائية المجمدة في الجهاز.

التجهيزات

لغرض التنظيف فإن كافة الأجزاء القابلة للتشكيل المتنوع الخاصة بالجهاز يمكن أن يتم إخراجها من الجهاز.

إخراج الرفوف الزجاجية

الصورة 5

يتم رفع الرفوف قليلا لأعلى، ثم يتم سحبها للأمام، ثم يتم إمالتها إلى أسفل، ثم يتم إدارتها وإخراجها جانبيا.

مجرى تصريف الماء

يجب وبصورة منتظمة تنظيف مجرى تصريف الماء وثقب التصريف باستخدام عصية أو ما شابه ذلك لكي يتمكن الماء الناتج عن ذوبان الطبقة الثلجية من الانسياب.

الصورة 8

إخراج الرفوف الموجودة في الباب

الرفوف يتم رفعها قليلا لأعلى ويتم إخراجها. الصورة 10

إخراج الحاويات

يتم سحب الحاويات للخارج حتى النهاية ويتم رفعها قليلا من الأمام ويتم إخراجها. الصورة 4

إذابة الثلج

حيز التبريد يتخلص ذاتياً من الطبقات الثلجية التي تتكون داخله

1. يتم إخراج حاويات التجميد بما فيها من مواد غذائية ويتم حفظها في مكان بارد. يتم وضع ألواح التجميد (في حالة توفرها) على المواد الغذائية المجمدة.
2. يتم إبطال عمل الجهاز.
3. اسحب القابس من المقبس أو أغلق المنصهر.
4. لجعل عملية إذابة الثلج أكثر سرعة يتم وضع وعائي طهي مملوئين بماء ساخن على قاعدة عازلة للحرارة في داخل الجهاز. يتم إغلاق باب الجهاز لكي يتم الحول دون تسرب الحرارة إلى الخارج. الصورة 9
5. وجفف الماء السابق ذوبانه بفضة أو قطعة إسفنجية.
6. جفف حيز التجميد جيداً.
7. أعد تشغيل الجهاز.
8. ضع المواد الغذائية المجمدة فيه.

أثناء دوران ماكينة التبريد تتكون على الجدار الداخلي لحيز التبريد قطرات من الماء أو طبقة ثلجية هشّة ناجمة عن عملية التكثف وهو أمر يتعلق بالصفة الوظيفية للجهاز ولا محال منه. ولا توجد هناك ثمة ضرورة لإزالة هذه الطبقة الثلجية بالكحت أو لتجفيف قطرات الماء حيث أن الجهاز يذيب هذه الطبقة ذاتياً والماء الناتج عنها ينساب في مجرى تسريب الماء، صورة 8. ويتجه إلى ماكينة التبريد حيث يتبخر هناك، والماء الناتج عنها ينساب في مجرى لسريان الماء.

تنبيه هام

يجب الانتباه لعدم انسداد ثقب ومجرى تجميع وسريان الماء لكي يتمكن الماء الناتج عن ذوبان الطبقة الثلجية من الانسياب.

إزالة الطبقة الثلجية من حيز التجميد

لا يتخلص حيز التجميد ذاتياً من الطبقات الثلجية التي تتكون داخله حتى لا تبدأ المواد الغذائية المجمدة بداخله إلى التعرض للذوبان السطحي. وجود طبقة ثلجية، سواء كانت هشّة أم صلبة، يؤدي إلى إعاقة وصول البرودة إلى المواد الغذائية المجمدة كما يتسبب في ارتفاع استهلاك الكهرباء. يجب وبصورة منتظمة إزالة الطبقة الثلجية.

⚠ تنبيه هام

ويجب الاجتناب تماماً عن إزالة أي طبقة ثلجية متكونة باستخدام سكين أو أية آلة حادة لتفادي إحداث ثقب بأنبوب الهواء البارد الخاص بحيز التجميد. من الممكن أن تشتعل الرذاذ المتناثرة من مادة التبريد أو تتسبب في إحداث إصابات بالعين.

الملصق «OK»

(لا يسري على كافة الطرازات)

باستخدام مراقبة درجة الحرارة «OK» يمكن الكشف عن درجات الحرارة التي تقل عن +4 درجة مئوية. في حالة ما إذا كان الملصق لا يظهر «OK» يتم ضبط درجة الحرارة بصورة تدريجية على مستوى أدنى من البرودة.

تنبيه هام

عند البدء في تشغيل الجهاز فإن الوصول إلى درجة الحرارة المطلوبة يمكن أن يستغرق فترة قد يصل قدرها حتى 12 ساعة.



درجة الحرارة مضبوطة تماما

إذابة جليد الأطعمة المجمدة

يمكن اختيار أحد الأساليب التالية حسب نوع المواد المجمدة والغرض من الاستخدام:

تركها لتذوب

- بدرجة حرارة الغرفة
- في الثلاجة العادية

■ في فرن الموقد الكهربائي. باستخدام مروحة الهواء الساخن أو بدونها

■ في جهاز فرن المايكروويف

تنبيه هام

لا يمكن إعادة تجميد الأطعمة بعد ذوبان جليدها مرة أخرى. يجب أولاً إعدادها من خلال (طهيها أو قليها) أو تحضيرها كوجبة جاهزة ثم تجميدها مرة أخرى. لا يُنصح بترك الأطعمة المجمدة حتى أقصى فترة تخزين.

إبطال عمل الجهاز وعدم استخدامه لفترة طويلة

إبطال عمل الجهاز

مفتاح تنظيم درجة الحرارة، الصورة 2/A. يتم إدارته وضبطه على وضع «0». ماكينة التبريد والإضاءة تتوقف عن العمل.

عدم استخدام الجهاز لفترة طويلة

يجب إجراء ما يلي في حالة عدم استخدام الجهاز لفترة طويلة:

1. يتم إبطال عمل الجهاز.
2. فصل التيار الكهربائي بسحب القابس من المقبس.
3. تنظيف الثلاجة.
4. يترك باب الثلاجة مفتوحاً.

التجهيزات

(لا توجد في جميع الطرازات)

الرفوف الزجاجية

الصورة 5

عند الحاجة إلى ذلك يمكن تغيير وضع الأرفف الخاصة بالحيز الداخلي للجهاز كما يلي: يتم رفع الرف قليلاً لأعلى. ثم يتم سحبه للأمام. ثم يتم إمالته إلى أسفل. ثم يتم إدارته وإخراجه جانبياً.

رف الزجاجات

الصورة 6

على رف الزجاجات يمكن حفظ زجاجات بصورة آمنة، الماسك الخاص بالرف قابل للتشكيل المتنوع.

تجميد وتخفظ المواد الغذائية

في حالة القيام بتجميد المواد الغذائية بنفسك، فيجب عدم استخدام سوى المواد الغذائية الطازجة الخالية من العيوب فقط.

من أجل المحافظة بأكبر قدر ممكن على القيمة الغذائية والنكهة واللون يجب تبيض الخضروات بماء مغلي قبل تجميدها. فيما يتعلق بالبادنجان والفلفل الخلو (الرومي) والكوسة (القرع) وجذور الهليون فإن التبييض لا يكون لازماً.

في المكتبات توجد كتب تدور حول التجميد، وهذه الكتب تحتوي أيضاً على وصف تفصيلي لعملية التبييض بالماء المغلي.

تنبيه هام

ويجب في ذلك مراعاة عدم تلاصق المواد الغذائية الطازجة المطلوب تجميدها مع المواد الغذائية المجمدة بالفعل.

■ المواد الغذائية المناسبة للتجميد هي:

المواد الغذائية المجمدة، الأسماك وفواكه البحر، اللحوم، ولحوم الحيوانات البرية، لحوم الطيور، الخضروات، الفواكه، الأعشاب، البيض بدون قشرة، منتجات الألبان مثل الجبن والزبد والقشدة، الأطعمة الجاهزة وبقيايا الأطعمة مثل أنواع الحساء، أنواع اليخنة، اللحوم والأسماك التي تم إنضاجها، أطعمة البطاطا (البطاطس)، وأطعمة الصواني المنضجة في الفرن والأطعمة الحلوة.

■ المواد الغذائية الغير مناسبة للتجميد هي:

أنواع الخضروات التي يتم في المعتاد تناولها نيئة بدون إنضاج مثل خضروات السلطانات الوردية أو الفجل، البيض في قشره، ثمار التفاح والكمثرى (الإجاص) والدراق (الخوخ) الكاملة، البيض المسلوق، الزبادي (الروب)، اللبن الرائب، القشدة الرائبة، والكرمية الرائبة وصلصة المايونيز.

تنبيه هام

قد يؤدي وضع كمية كبيرة من المواد الغذائية الطازجة في حيز التجميد، إلى زيادة فترة عمل ماكينة التبريد تلقائياً حتى يتم تجمد المواد الغذائية وبالتالي يؤدي ذلك إلى انخفاض شديد في درجة الحرارة بحيز التبريد. حينئذ يجب ضبط زر ضبط درجة الحرارة على درجة أقل.

تغليف المواد الغذائية المطلوب تجميدها

يجب تعبئة المواد الغذائية بحيث لا يتسرب إليها الهواء وذلك حتى لا تفقد طعمها أو تتعرض للجفاف.

1. قم بتغليف المواد الغذائية.
2. قم بإفراغ الهواء من التغليف تماماً.
3. ثم اغلق العبوة بإحكام.
4. قم بتسجيل محتوى العبوة وتاريخ حفظها على الغلاف.

المواد المناسبة للتغليف هي:

أكياس ورقائق البلاستيك، الرقائق الخرطومية المصنوعة من البولي إيثيلين، رقائق الألومنيوم وعلب التجميد.

هذه المنتجات متوفرة لدى المتاجر المتخصصة.

المواد غير المناسبة للتغليف هي:

ورق الفرن، الورق الصامد للشحم، ورق السيلوفان، أكياس القمامة وأكياس المشتريات المستعملة.

المواد المناسبة لإحكام الغلق هي:

الحلقات المطاطية، المشابك البلاستيكية، خيوط الربط، شرائط اللصق التي تحمل البرودة أو ما شابه ذلك. يمكن لحام فتحات الأكياس والرقائق الخرطومية بواسطة جهاز لحام الأكياس البلاستيكية.

مدة الصلاحية للتخزين

تحدد فترة التخزين المسموح بها طبقاً لنوع المواد الغذائية.

في درجة حرارة متوسطة يمكنك تخزين 18-°م:

- الأسماك والنقائق والأطعمة الجاهزة والأطعمة المجمدة لفترة تصل إلى 6 أشهر
- والجبن ولحوم الطيور واللحوم لفترة تصل إلى 8 أشهر
- والخضروات والفاكهة لفترة تصل إلى 12 أشهر

تجميد وحفظ المواد الغذائية

يجب مراعاة ما يلي عند شراء الأطعمة

المجمدة

- تأكد من عدم وجود أية شقوق أو أضرار بأغلفة الأطعمة.
- تأكد أن تاريخ الصلاحية لم ينتهي بعد.
- يجب أن يظهر في بيان درجة الحرارة بتلاجة المتجر -18 °م أو أبعد في حالة عدم توافر هذا الشرط فإن هذا يؤدي إلى قصر مدة الصلاحية.
- ينبغي وضع الأطعمة المجمدة في حقيبة عازلة للحرارة ونقل الأطعمة بسرعة إلى المنزل وحفظها فوراً في الحيز الخاص بالتجميد.

عند ترتيب المواد الغذائية يجب مراعاة

ما يلي

- عند الرغبة في تجميد كميات كبيرة من المواد الغذائية يفضل وضعها في الدرج العلوي حيث يتم تجميدها بسرعة مما يحافظ في نفس الوقت على القيم الغذائية بها. يتم وضع المواد الغذائية في الأدراج أو في حاويات التجميد بحيث يتم توزيعها على كامل مسطح أرضية الدرج أو الحاوية. يجب مراعاة عدم حدوث تلامس بين المواد الغذائية المجمدة بالفعل وبين المواد الغذائية الطازجة المطلوب تجميدها. عند الاقتضاء يتم إعادة رص وتكديس المواد الغذائية المجمدة بالفعل فوق بعضها في الحاويات المعدة للتجميد.

تخزين المواد الغذائية

- ينبغي دائماً الانتباه إلى دفع كافة الأدراج المعدة لتجميد المواد الغذائية إلى النهاية أي حتى الاصطدام بخلفية الجهاز حيث أن هذا يلعب دوراً هاماً بالنسبة لسريان دورة

حيز التجميد

استخدام حيز التجميد

- إن حيز التجميد مجهز لحفظ المواد الغذائية المجمدة.
- ولإعداد الثلج.
- ولتجميد كميات قليلة من المواد الغذائية.

تنبيه هام

- رجاء الانتباه لإحكام غلق باب حيز التجميد بصفة دائمة.
- ترك باب الحيز مفتوحاً يؤدي إلى ذوبان ثلج المواد المجمدة.
- كما يؤدي إلى تراكم الثلج بحيز التجميد.
- إضافة إلى ذلك يرتفع استهلاك الجهاز للطاقة الكهربائية.

السعة القصوى للتجميد

- تجد على لائحة الطراز السعة القصوى المتاحة خلال 24 ساعة طبقاً لطراز الجهاز (أنظر البند مراكز خدمة العملاء).

إمكانية تخزين أقصى كمية ممكنة من المواد الغذائية المجمدة

- لغرض التمكن من تخزين الكمية القصوى من المواد الغذائية المجمدة يمكن إخراج كافة أجزاء التجهيزات من الجهاز. بعد ذلك يمكن تكديس المواد الغذائية على الرفوف الزجاجية وعلى أرضية حيز التجميد مباشرة.

نزع التجهيزات الداخلية

- حاوية المواد الغذائية المجمدة يتم سحبها للخارج حتى النهاية ويتم رفعها قليلاً من الأمام ويتم إخراجها.

الصورة 4

تشغيل الجهاز

مفتاح تنظيم درجة الحرارة. الصورة 2/A. يتم إدارته إلى وضع الضبط المرغوب فيه.

تبلغ درجة الحرارة بالجهاز حوالي +4 درجة مئوية عند ضبط الزر على درجة متوسطة. صورة 3

كلما أرتفع الرقم كلما زادت درجة البرودة بحيزي التبريد والتجميد.

ننصح بما يلي:

- المواد الغذائية الحساسة أو سريعة التلف يجب حفظها في درجة حرارة لا تزيد عن +4 درجة مئوية،
- الضبط على أحد الأرقام المنخفضة عند تخزين المواد الغذائية لفترة قصيرة المدى (التشغيل على مستوى موفر للطاقة).
- الضبط على أحد الأرقام المتوسطة عند تخزين المواد الغذائية لفترة طويلة المدى.
- الضبط على أحد الأرقام المرتفعة بصورة مؤقتة فقط في حالة تكرار فتح الباب أو في حالة تخزين كميات كبيرة من المواد الغذائية بحيز التبريد.

السعة القصوى المتاحة للتبريد

قد ترتفع درجة الحرارة داخل حيز التبريد أكثر مما ينبغي بصفة مؤقتة عند وضع كمية كبيرة من المواد الغذائية الطازجة أو المشروبات بالجهاز.

حينئذ يجب ضبط زر ضبط درجة الحرارة على درجة أعلى لمدة 7 ساعات تقريبا.

حيز التجميد

درجة الحرارة في حيز التجميد تكون متوقفة على درجة حرارة حيز التبريد.

ضبط درجات الحرارة في حيز التبريد على درجة أكثر برودة يؤدي إلى أن تصبح درجات الحرارة في حيز التجميد أكثر برودة أيضا.

الحجم المتاح للاستخدام

تتواجد الإيضاحات المتعلقة بالحجم الكلي المتاح للاستخدام على لوحة المواصفات الفنية الملصقة على الجهاز.

حيز التبريد

حيز التبريد هو المكان المثالي لحفظ الأطعمة الجاهزة. المواد الغذائية المحبوزة. معلبات المواد الغذائية. الحليب المركز. أنواع الجبن الصلبة. الفواكه والخضروات الحساسة للبرودة وكذلك الثمار الاستوائية.

انتبه عند حفظ المواد الغذائية

إلى التالي:

قم بتغليف أو تغطية المواد الغذائية قبل إدخالها. حيث أن هذا يساعد على الحفاظ على نكهتها ولونها ونضارتها. وبالإضافة إلى ذلك فإن هذا يؤدي إلى تجنب انتقال الروائح إلى الأجزاء البلاستيكية [للجهاز] وحدوث تلون لها.

تنبيه هام

يرجى منكم تجنب حدوث تلامس بين المواد الغذائية وبين الجدار الداخلي الخلفي. عند عدم الالتزام بذلك فإن دورة الهواء يتم التأثير عليها سلبيا.

المواد الغذائية أو مواد التغليف يمكن أن تلتصق من خلال التجمد على الجدار الداخلي الخلفي.

رجاء الانتباه إلى المناطق الأكثر برودة

بحيز التبريد!

تختلف درجات البرودة داخل حيز التبريد نتيجة لعملية دوران الهواء:

- المناطق الأكثر برودة وتوجد المنطقة الأكثر برودة في المنطقة السفلية الواقعة بين السهمين المحفورين على جانبي الجهاز وكذلك منطقة الرف الزجاجي الموجود أسفلهما. صورة 3

تنبيه هام

رجاء حفظ المواد سريعة الفساد (مثل الأسماك والسجق واللحوم) في المناطق الأكثر برودة.

- المناطق الأقل برودة توجد المنطقة الأقل برودة في أعلى باب الثلاجة.

تنبيه هام

رجاء حفظ الجبن والزبد في المناطق الأقل برودة. حيث يحتفظ الجبن بنكهته ويظل الزبد لين و سهل الدهن.

تشغيل الجهاز

مفتاح تنظيم درجة الحرارة. الصورة A/2. يتم إدارته بحيث يصبح لم يعد مضبوطاً على وضع «0». الجهاز يبدأ في التبريد. عند فتح باب الجهاز يضيء مصباح الإضاءة الداخلية.

تنبيهات لتشغيل الجهاز

- ويجري على نحو خفيف تدفئة جوانب هيكل الجهاز من الناحية المحتوية على إشارات النجوم مما يحول دون تكون ماء ناتج عن التكثف في نطاق الشريط المطاطي المانع للتسرب من جهة الباب.
- إذا تعذر فتح باب حيز التجميد مرة أخرى بعد إغلاقه مباشرة حينئذ يجب الانتظار لمدة دقيقتين أو ثلاثة دقائق حتى يزول ضغط إغلاق الباب.
- درجة الحرارة في حيز التبريد ترتفع بشكل مؤقت في حالة تكرار فتح الباب.
- بسبب تخزين كمية كبيرة من المواد الغذائية
- بسبب ارتفاع درجة حرارة الوسط المحيط بالجهاز.

تعرف على جهازك الجديد



افتح من فضلك الصفحة الأخيرة المطوية التي تتضمن الأشكال التوضيحية. تجهيزات الطرازات يمكن أن تكون مختلفة من طراز إلى آخر. إن دليل الاستخدام هذا مُعدّ للثيف من الأطرزة، وقد ينجم عن ذلك تفاوت بشأن الأشكال التوضيحية.

صورة 1

- 1 مفتاح تنظيم درجة الحرارة/الإضاءة
- 2 مفتاح الإضاءة
- 3 رف زجاجي في حيز التبريد
- 4 وعاء الخضراوات
- 5 حاوية حفظ المواد المجمدة
- 6 رف الباب
- 7 خانة الزجاجات الكبيرة

A حيز التجميد

B حيز التبريد

توصيل الجهاز بالتيار الكهربائي

ينبغي بعد نصب الجهاز الانتظار لمدة ساعة على الأقل قبل تشغيل الجهاز لأول مرة. فمن الممكن أثناء النقل أن يحدث انتقال للزيت المتواجد بماكينة التبريد إلى شبكة التبريد. فمن الممكن أثناء النقل أن يحدث انتقال للزيت المتواجد بماكينة التبريد إلى شبكة التبريد.

يجب تنظيف الحيز الداخلي للجهاز قبل تشغيله لأول مرة (أنظر البند الخاص بالتنظيف).

يجب أن يكون من السهل الوصول إلى مصدر توصيل التيار الكهربائي (المقبس).

توصيل الجهاز بالتيار الكهربائي

من اللازم أن يكون المقبس موجودا بالقرب من الجهاز ويلزم أن يكون من الممكن الوصول إليه بسهولة حتى بعد نصب الجهاز.

الجهاز متوافق مع متطلبات مستوى الحماية I. يتم توصيل الجهاز بتيار كهربائي متردد 220-240 فولت/50 هرتز عبر مقبس جرى تركيبه على نحو مطابق للمواصفات ومجهز بسلك تأريض واقى. ويجب أن يكون المقبس مؤمن بواسطة منصهر تصل قدرته من 10 إلى 16 أمبير.

بالنسبة للأجهزة التي تستخدم في دول غير أوروبية، فيجب الرجوع إلى لوحة الطراز لمعرفة إذا ما كانت البيانات المذكورة بها والخاصة بجهد التيار ونوعه تتطابق مع القيم الخاصة بشبكة التيار الكهربائي الخاصة بك.

هذه البيانات توجد على لوحة بيانات الطراز. الصورة 11

يرجى مراعاة درجة حرارة الوسط المحيط والتهوية

درجة حرارة الوسط المحيط

الجهاز مصمم ومعد للعمل في درجة تصنيف طقس محيط معينة. بالتوقف على درجة تصنيف الطقس المحيط يمكن تشغيل الجهاز في درجات حرارة الوسط المحيط المذكورة فيما يلي.

تصنيف الطقس يكون مذكورا في لوحة بيانات الطراز.

الصورة 11

درجة حرارة الوسط	درجة تصنيف الطقس المحيط
SN	+10° م حتى 32° م
N	+16° م حتى 32° م
ST	+16° م حتى 38° م
T	+16° م حتى 43° م

تنبيه

الجهاز يكون في حالة صلاحية تامة لأداء وظيفته عند تشغيله في داخل نطاق حدود درجات حرارة الوسط المحيط الخاصة بتصنيف الطقس المحيط المنصوص عليها. في حالة تشغيل جهاز من درجة تصنيف الطقس المحيط SN في درجات حرارة وسط محيط باردة (منخفضة) عما ينبغي، فإنه يمكن الانطلاق بصورة قاطعة من عدم حدوث أي تلف أو ضرر بالجهاز حتى درجة حرارة قدرها +5 درجات مئوية.

التهوية

تهوية ماكينة التبريد يتم فقط من خلال شبكة التهوية الموجودة بالقاعدة. لذلك لا يجب بأية حال من الأحوال تغطية شبكة التهوية. عدم إتاحة ذلك يدفع ماكينة التبريد على العمل بقدرة أكبر مما يؤدي بالتالي لزيادة استهلاك الكهرباء.

3. يجب عدم إخراج الرفوف والحاويات من الجهاز، وذلك لأنها تشكل عوائق تجعل من الأكثر صعوبة على الأطفال أن يقوموا بالتسلق إلى داخل الجهاز!
4. يجب عدم ترك الأطفال ليلعبوا بالجهاز الذي انتهى عمره التشغيلي. خطر حدوث اختناق!
- تحتوي أجهزة التبريد على مواد تبريد كما تحتوي على غازات في الأجزاء العازلة. يجب تصريف مواد التبريد والغازات بطريقة تقنية صحيحة. لذلك يجب الحرص على عدم الإضرار بالمواسير الخاصة بمسار دورة مادة التبريد وذلك حتى يتم تصريفها بالطريقة التقنية الصحيحة.

متضمنات التوريد

- بعد فض مواد التغليف يجب فحص جميع الأجزاء للكشف عما قد يوجد بها من تلف أو ضرر.
- في حالة وجود أي عيب يرجى منكم الاتصال بالتاجر الذي اشتريتم الجهاز منه أو الاتصال بمركز خدمة العملاء التابع لنا.
- متضمنات التوريد تتكون من الأجزاء التالية:
- جهاز للتركيب في وحدة أثاث
 - التجهيزات (بالتوقف على الطراز)
 - تعليمات لاستخدام
 - تعليمات التركيب
 - دفتر خدمة العملاء
 - مرفق بيان الضمان
 - معلومات بشأن توفير الطاقة وأصوات التشغيل
 - كيس يتضمن لوازم التركيب

إرشادات التخلص من الفضلات

التخلص من تغليف الجهاز الجديد

يعمل التغليف على حماية جهازك الجديد من التعرض لأي تلف في الطريق حتى يصل إليك. جميع المواد المستخدمة في التغليف غير ضارة بالبيئة ويمكن إعادة استخدامها. لذلك نرجو منك المساهمة معنا: تخلص من مواد التغليف بطريقة تحافظ على البيئة.

رجاء الاستفسار عن أحدث طرق التخلص من الفضلات لدى المتجر المتخصص الخاص بمنطقتك أو لدى إدارة البلدية المختصة بك.

التخلص من الجهاز القديم

الأجهزة القديمة ليست مجرد نفايات عديمة القيمة! فعن طريق التخلص من النفايات بأسلوب يحافظ على البيئة يمكن الحصول مرة أخرى على مواد أولية ذات قيمة عالية.

هذا الجهاز مصنف طبقاً للتعليمات الأوروبية 2002/96/EG المتعلقة بالأجهزة الكهربائية والإلكترونية المستهلكة

(waste electrical and electronic equipment – WEEE)

وتحدد هذه التعليمات الإطار المتعلق باسترجاع الأجهزة المستهلكة والاستفادة من خاماتها في كل أنحاء الاتحاد الأوروبي. يمكن الحصول على المعلومات المتعلقة بأحدث الأساليب الجارية للتخلص من الأجهزة المستهلكة عند أحد المحلات التجارية المتخصصة أو لدى إدارة المدينة.

تحذير

جعل الجهاز القديم غير صالح للاستخدام:

1. فصل التيار الكهربائي بسحب القابض من المقبس
2. قطع سلك التوصيل الكهربائي واستبعاده مع القابض.

في حالة وجود أطفال بالبيت

- يجب عدم ترك مواد التغليف للأطفال حيث ذلك يعرضهم لخطر الاختناق بواسطة علب الورق المقوى ورفائق البلاستيك.
- الجهاز ليس لعبة بلهى بها الأطفال.
- بالنسبة للأجهزة ذات الأقفال يجب حفظ المفاتيح بعيداً عن متناول الأطفال.

قواعد عامة

- هذا الجهاز مخصص فقط لتبريد وجميد المواد الغذائية.
- هذا الجهاز معد ومخصص للاستخدام في الأغراض المنزلية في المساكن الخاصة (غير التجارية أو الاحترافية) وفي نطاق البيئة المنزلية فقط.
- هذا الجهاز مخصص للاستخدام المنزلي.
- تم اختبار الحجب الكهربائي بالجهاز طبقاً للقواعد السارية بالمجموعة الأوربية (2004/108/EC).
- قد تم فحص مسار دورة مادة التبريد للتأكد من عدم حدوث تسرب.
- تم تصنيع هذا الجهاز طبقاً لقواعد الأمان السارية لتصنيع الأجهزة الكهربائية (EN 60335-2-24).

- لا يجب إساءة استخدام الحوامل أو الأجزاء القابلة للسحب الخارج أو الأبواب أو ما إلى ذلك، فلا يصح الوقوف أو الاستناد عليها.
- يجب عند القيام بإذابة الجليد أو بتنظيف الجهاز فصل الكهرباء عن الجهاز، بسحب القابض من المقبس أو إبطال عمل المنصهر. ويراعى سحب القابض نفسه وعدم جذب السلك.
- لا يجب تخزين سوائل تحتوي على نسبة عالية من الكحول في الثلاجة إلا إذا كانت في عبوات مغلقة بإحكام وفي الوضع القائم.
- لا يجب تلوين الأجزاء المصنوعة من البلاستيك أو حواشي إحكام غلق الباب بالزيت أو بالدهون، لأن ذلك يساعد على تكوين مسام في الأجزاء البلاستيكية وحواشي الباب.
- يجب عدم تغطية أو وضع أشياء على فتحات التهوية أو فتحات إخراج الهواء.
- يجب عدم استخدام هذا الجهاز من قبل الأشخاص (بما يشمل الأطفال) ذوي القدرات البدنية أو الحسية أو الذهنية المحدودة أو نقص في المعارف والمعلومات إلا عندما يكون جاري الإشراف عليهم من قبل شخص مختص بسلامتهم وأمانهم أو بعد أن يكون قد تم من قبل هذا الشخص إعطائهم إرشادات تفصيلية بشأن كيفية استخدام الجهاز.
- ممنوع تماماً جميد السوائل الموجودة داخل زجاجات أو علب معدنية (المشروبات الغازية بصفة خاصة). خطر انفجار الزجاجات والعلب.
- لا يجب أخذ المواد الغذائية المتجمدة من حيز التجميد ووضعها في الفم مباشرة.
- خطر التعرض للحرق نتيجة لدرجة الحرارة المنخفضة جداً!
- يجب تجنب إمساك المواد المتجمدة أو الآيس كريم أو وصلات التبريد بالأيدي فترة طويلة.
- خطر التعرض للحرق نتيجة لدرجة الحرارة المنخفضة جداً!

إرشادات وتحذيرات خاصة بالأمان

في حالة حدوث تلف بسلك التوصيل بالتيار الكهربائي، عندئذ يلزم أن يتم استبداله من قبل منتج الجهاز أو أحد مراكز الخدمة التابعة له أو من قبل شخص حائز على تأهيل تقني مشابه. أعمال التركيب أو الإصلاح التي يتم إجرائها بطريقة تخالف الأصول يمكن أن تتسبب في تعريض مستخدم الجهاز لمخاطر جسيمة.

يجب عدم إجراء أية أعمال إصلاح في الجهاز إلا من قبل منتج الجهاز أو أحد مراكز الخدمة التابعة له أو من قبل شخص حائز على تأهيل تقني مشابه.

لا يسمح باستخدام أية قطع غيار غير قطع الغيار الأصلية المصنوعة من قبل منتج الجهاز. فقط عند استخدام قطع الغيار الأصلية هذه فإن منتج الجهاز يكفل كون قطع الغيار هذه تفي بمتطلبات السلامة والأمان.

لا يسمح باستخدام أية توصيلة إطالة لسلك التوصيل بالتيار الكهربائي إلا تلك التي يتم الحصول عليها لدى مركز خدمة العملاء.

يجب مراعاة ما يلي عند الاستخدام

- ممنوع تماماً استخدام أية أجهزة كهربائية في داخل الفلاجة (مثل أجهزة التسخين أو التدفئة أو أجهزة إعداد الثلج الكهربائية وما إلى ذلك).
خطر الانفجار!
- ممنوع تماماً استخدام جهاز تنظيف بالبخار من أجل إذابة الجليد بالفلاجة أو تنظيفها! فمن الممكن أن يصل البخار إلى بعض الأجزاء الكهربائية ويسبب بها ماس كهربائي أو يتسبب في إصابة أحد الأشخاص بالصعق الكهربائي.
- ممنوع تماماً حك طبقات الجليد المتراكمة أو محاولة نزع المواد الغذائية المجمدة الملتصقة بالجهاز باستخدام سكين أو أية آلة حادة حيث قد يؤدي ذلك إلى إصابة مواسير مسار دورة التبريد بأضرار. من الممكن أن تتسبب الرذاذ المتناثر من مادة التبريد في إحداث إصابات بالعين كما أنه من الممكن أن يشتعل.
- لا يجب تخزين أية منتجات تحتوي على غازات قابلة للاشتعال (مثل عبوات الرش) في الفلاجة أو أية مواد قابلة للانفجار.
خطر الانفجار!

قبل أن تبدأ في تشغيل الجهاز لأول مرة

يجب قراءة تعليمات الاستخدام وتعليمات التركيب كاملة وبعناية واهتمام!

فهذه التعليمات تحتوي على معلومات هامة خاصة بنصب الجهاز وطريقة استخدامه وصيانته

لذا نرجو بالاحتفاظ بتعليمات الاستخدام وتعليمات

التركيب وإعطاء تلك التعليمات لمن يؤول له الجهاز فيما بعد.

إرشادات أمان تقنية

يحتوي الجهاز على كمية قليلة من مادة التبريد R600a وهي لا تضر البيئة ولكنها قابلة للاشتعال. نرجو الانتباه إلى عدم إصابة مواسير مسار دورة مادة التبريد بأية أضرار أثناء نقل الجهاز أو تركيبه. من الممكن أن تتسبب الرذاذ المتناثر من مادة التبريد في إحداث إصابات بالعين كما أنه من الممكن أن يشتعل.

في حالة إصابة الجهاز بأضرار يجب:

- ألا تكون أية نيران مكشوفة أو مصادر لإشعال النار قريبة من المكان.
- فصل التيار الكهربائي بسحب القابض من المقبس.
- افصل الجهاز عن التيار الكهربائي بسحب القابض من المقبس.
- إخبار مركز الخدمة بالحادث.

كلما زادت كمية مادة التبريد في أي جهاز، كلما كان من الضروري أن يتسع حجم المكان الذي يتواجد فيه هذا الجهاز. من الممكن في حالة الغرف الصغيرة أكثر ما ينبغي أن يتكون خليط من الغاز والهواء قابل للاشتعال عند حدوث تسرب لمادة التبريد.

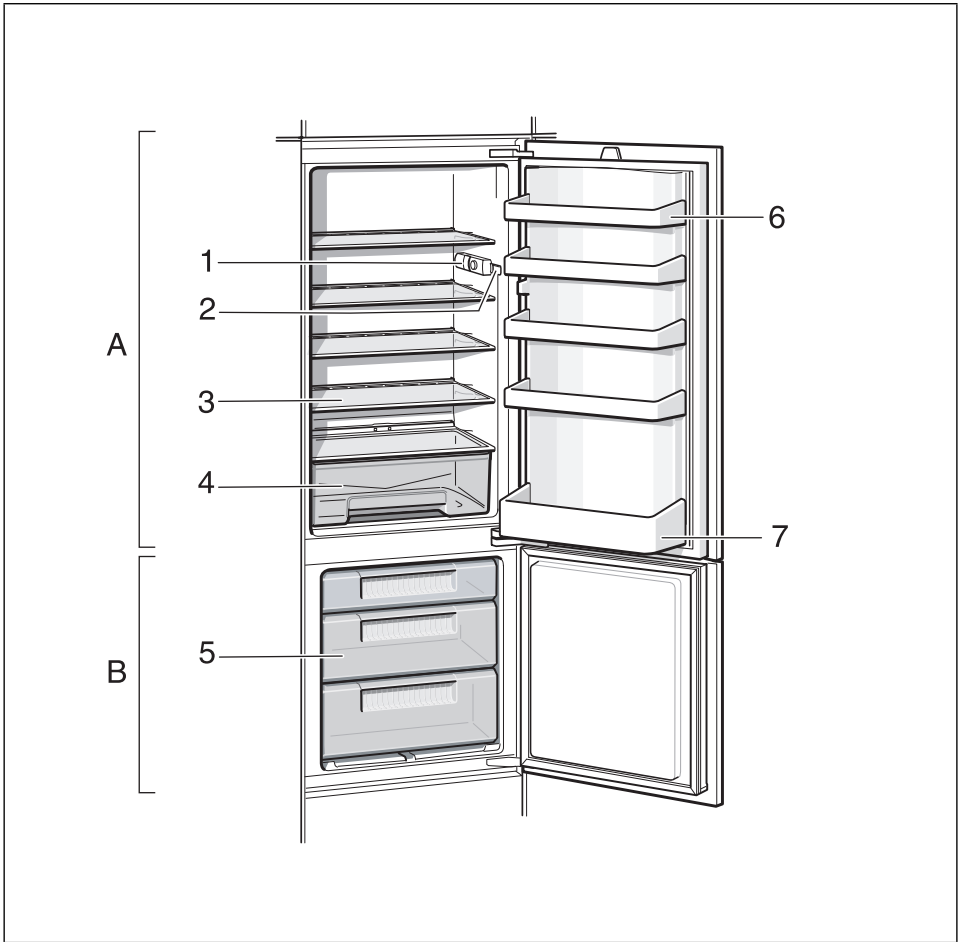
يجب أن يكون هناك تناسب بين حجم الحجرة وكمية مادة التبريد بحيث يكون متاحاً لكل 8 غرام من مادة التبريد حيز لا يقل عن متر مكعب واحد. كمية مادة التبريد الموجودة في الجهاز الخاص بكم مدونة على لوحة الطراز المثبتة بالحيز الداخلي للجهاز.

ar فهرس المحتويات

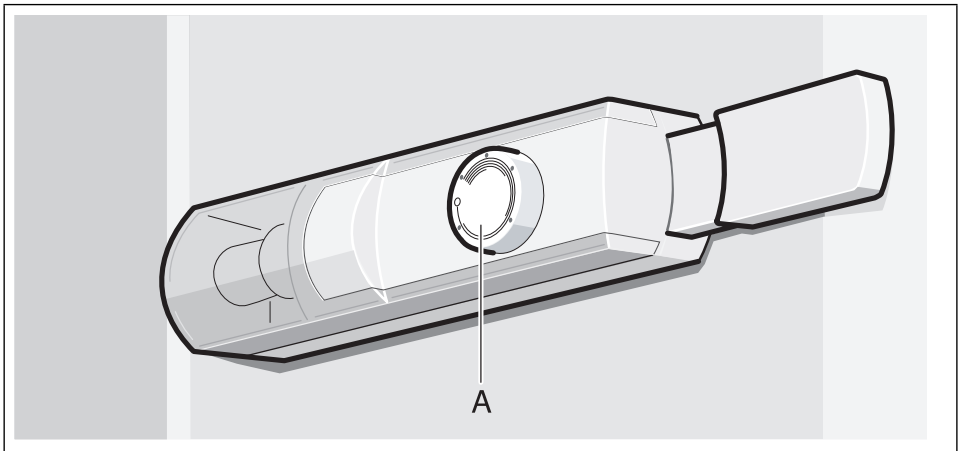
10	جميد وحفظ المواد الغذائية	3	إرشادات وخذيرات خاصة بالأمان
11	إذابة جليد الأطعمة المجمدة	5	إرشادات التخلص من الفضلات
11	التجهيزات	5	متضمنات التوريد
11	الملصق «OK»	6	يرجى مراعاة درجة حرارة الوسط المحيط والتهوية
	إبطال عمل الجهاز وعدم استخدامه	6	توصيل الجهاز بالتيار الكهربائي
11	لفترة طويلة	7	تعرف على جهازك الجديد
12	إذابة الثلج	7	تشغيل الجهاز
13	تنظيف الجهاز	8	تشغيل الجهاز
14	توفير الطاقة الكهربائية	8	الحجم المتاح للاستخدام
14	الأصوات الصادرة أثناء عمل الثلاجة	8	حيز التبريد
15	إزالة الأعطال البسيطة بنفسك	9	حيز التجميد
16	مراكز خدمة العملاء	9	السعة القصوى للتجميد
		9	جميد وحفظ المواد الغذائية

fa فهرست مطالب

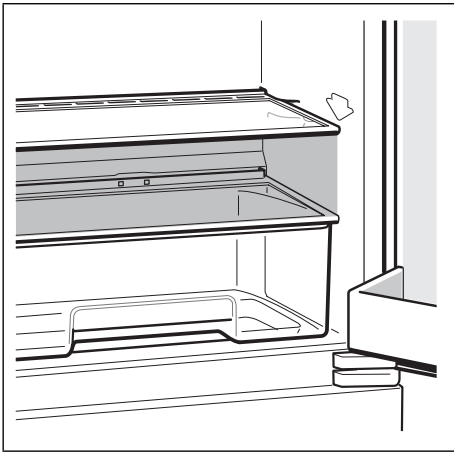
24	فريز کردن مواد خوراکی تازه	17	دستورالعمل های ایمنی و هشدارها
25	یخزدایی مواد منجمد	19	چگونگی دفع مواد زائد
25	تجهيزات	19	محتویات بسته کالا
25	برچسب «OK»	20	به دمای محیط و تهویه آنتوجه کنید
	خاموش کردن و عدم استفاده از دستگاه برای	20	چگونگی اتصال دستگاه
25	مدت طولانی	21	آشنایی با دستگاه
26	یخزدائی	21	روشن کردن دستگاه
27	تمیز نمودن دستگاه	22	تنظیم درجه حرارت
28	صرفه جویی در مصرف انرژی	22	حجم مفید
28	صداهای ناشی از کارکرد دستگاه	22	قسمت یخچال
	مشکلات کوچکی که می توان آنها	23	فضای فریزر
29	را برطرف نمود	23	حداکثر گنجایش فریزر
30	سررویس دهی به مشتریان	23	فريز کردن و انبار کردن مواد غذائی



1



2



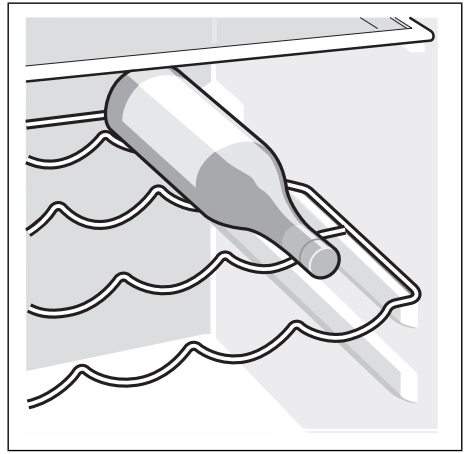
3



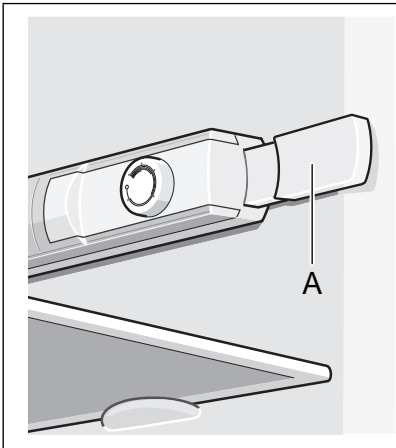
4



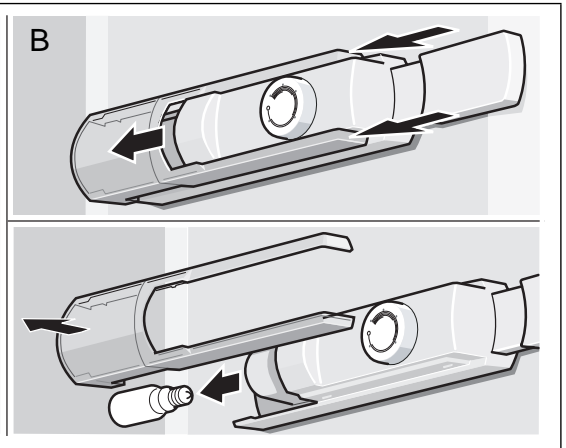
5

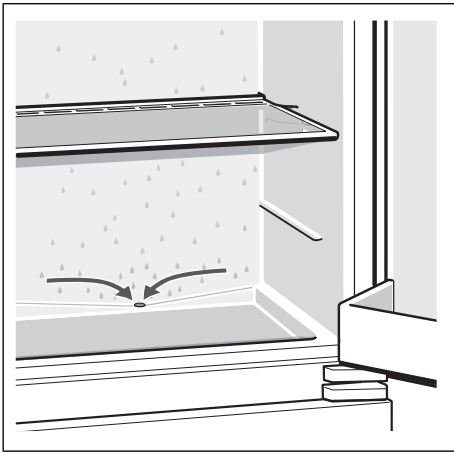


6

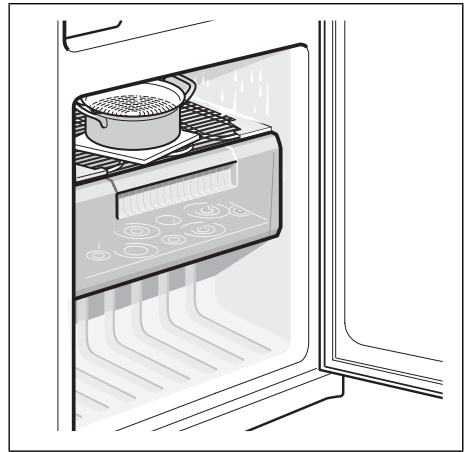


7

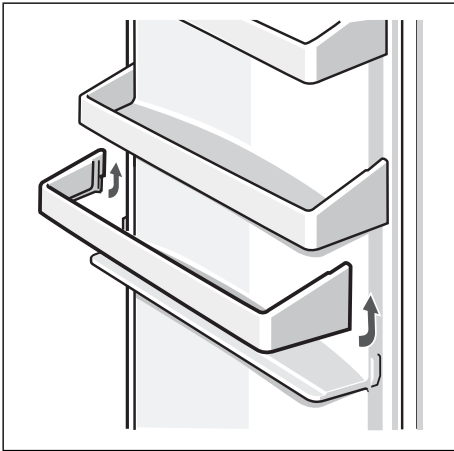




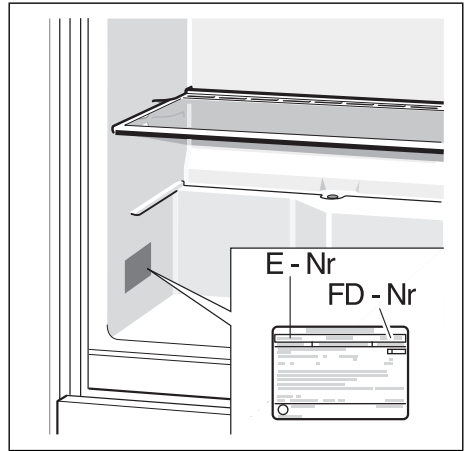
8



9



10



11

Robert Bosch Hausgeräte GmbH

Carl-Wery-Straße 34

81739 München, GERMANY

www.bosch-home.com

9000669080 (9409)
en, fr, ar, fa