

ZOB35471WK Built-in Oven



Make cooking a more enjoyable part of life with a multifunction oven.

The Multiplus oven with ring element offers the ideal cooking function for any recipe, and its even heat distribution system lets you cook on several levels at once.

Hassle-free

The clever fan position spreads the heat evenly around the oven so your food doesn't need to be turned.

Transparency and control at the push of a button

Make cooking stress-free with this easy-to-use oven. Simply push the buttons to program it, and let the digital display guide you through the various functions.

More Benefits :

- Multiplus oven with ring element and even heat distribution
- 25% larger baking tray enables you to cook more food in one go
- Anti-fingerprint coating keeps the oven looking clean

Features :

- Economy variable grill
- Top heat
- Fan controlled defrosting
- Oven features:
- Clean 'n' clear enamel interior
- 2 oven shelves
- Fan cooled double glazed door with heat reflective glass
- 'A' energy class

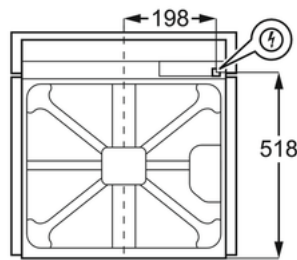
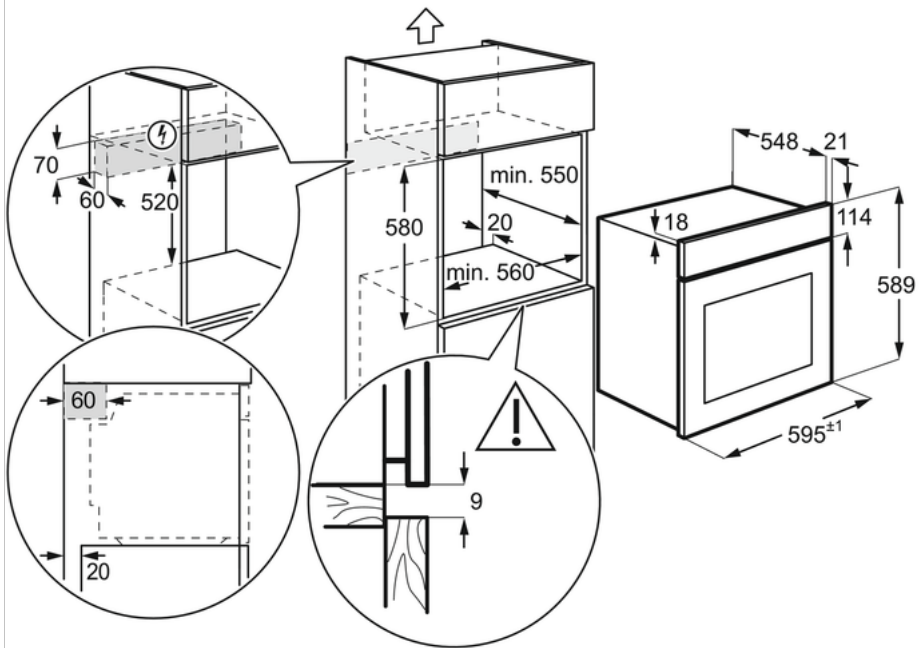
Technical Specs :

- Self-Cleaning? : Easy To Clean Enamel/Pinned
- Cavity coating : Grey Enamel
- Dimensions (mm) (HxWxD) : 589x594x568
- Dimensions : 600x560x550
- Total electricity loading, W : 2790
- Voltage : 220-240
- Frequency : 50/60
- Temperature range : 50°C - 275°C
- Volume usable, l : 68
- Largest Surface area : 1424
- Noise : 43
- Energy class : A
- Energy consumption, conventional mode, kWh per cycle : 0
- Energy consumption per EU standard cycle : 0
- Product Partner Code : ER Open

Product Description :

ZOB35471WK Built-in Oven

PSGBOV180DE00007



PSGBOV180DE00008

