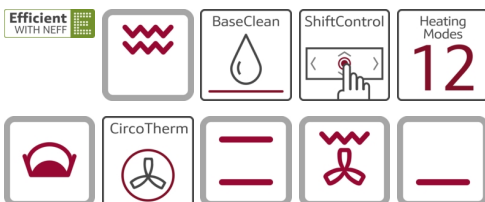


B17CR32N1B  
SINGLE OVEN  
STAINLESS STEEL



A+



Built-in oven with CircoTherm® - Neff's award-winning hot air system

- ✓ CircoTherm® - Neff's outstanding hot-air system for simultaneous baking and roasting on up to 3 levels
- ✓ EcoClean - the self-cleaning catalytic coating on the inside top and sides of the oven makes oven cleaning easier.
- ✓ BottomClean - the special cleaning programme for the oven floor.
- ✓ ShiftControl - fast navigation through menus and simple operation with the TFT display.
- ✓ Hinged door

#### Features

##### Technical Data

Color / Material Front : Stainless steel  
 Construction type : Built-in  
 Integrated Cleaning system : Catalytic all sides, Hydrolytic  
 Required niche size for installation (HxWxD) : 585 x 560 x 550  
 Dimensions of the product (mm) : 595 x 596 x 548  
 Dimensions of the packed product (HxWxD) (mm) : 670 x 670 x 680  
 Control Panel Material : Stainless steel  
 Door Material : Glass  
 Net weight (kg) : 35.0  
 Usable volume of cavity (l) : 71  
 Cooking method : , Bottom heat, Bread Baking Setting, Conventional heat, Dough proving setting, Full width grill, Half width grill, Hot Air, Hot Air-Eco, Hot air grilling, low temperature cooking, Pizza setting  
 First cavity material : Enamelled  
 Temperature control : electronic  
 Number of interior lights : 1  
 Approval certificates : CE, VDE  
 Length of electrical supply cord (cm) : 120  
 EAN code : 4242004197263  
 Number of cavities (2010/30/EC) : 1  
 Energy efficiency class - NEW (2010/30/EC) : A+  
 Energy consumption per cycle conventional (2010/30/EC) : 0.87  
 Energy consumption per cycle forced air convection (2010/30/EC) : 0.69  
 Energy efficiency index (2010/30/EC) : 81.2  
 Electrical connection rating (W) : 2990  
 Current (A) : 13  
 Voltage (V) : 220-240  
 Frequency (Hz) : 60; 50  
 Plug type : no plug

Included accessories



4 242004 197263

#### Optional accessories

Z18C60X0 Cookbook

# B17CR32N1B

## SINGLE OVEN

### STAINLESS STEEL

#### Features

##### Special features

- 2.5" TFT colour display
- CircoTherm® Eco
- Interior halogen light
- Drop down door
- Temperature proposal  
Actual temperature display  
Heating up indicator  
Sabbath setting

##### Features

- Oven with 12 heating methods: CircoTherm®, CircoTherm® Eco, Top/bottom heat, Conventional heat eco, Hot air grilling, Full surface grill, Centre surface grill, CircoTherm® intensive, Bread baking, Bottom heat, Low temperature cooking, Dough proving
- Permanent control panel lock  
Automatic safety switch off  
Residual heat indicator  
Start button  
Door contact switch
- Silver display EasyClock
- Full glass inner door
- Triple glazed door
- Additional functions:  
Full steam cooking function (Neff system steamer accessory required)  
NO\_FEATURE
- Rapid heat
- Cooling fan
- Stainless-steel fan
- Info button

##### Design

- TFT display
- Illuminated ShiftControl
- Bar handle
- Cavity inner surface: Enamel anthracite

##### Oven cleaning

- EcoClean Direct : ceiling, back panel, side liners
- EcoClean program, BaseClean program

##### Standard accessories

- Pull out system: Available as an accessory

##### Accessories

- 2 x combination grid, 1 x universal pan

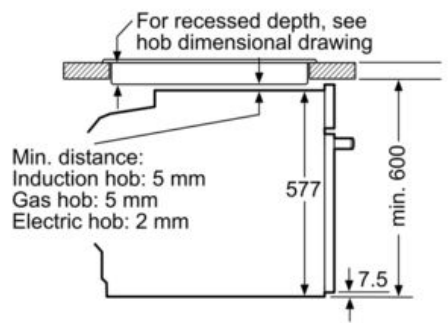
##### Performance/technical information

- Cavity volume: 71 litre
- Temperature range 40 °C - 275 °C
- Length of mains cable: 120 cm
- Total connected load electric: 2.99 KW
- Appliance dimension (hxwxh): 595 mm x 596 mm x 548 mm
- Niche dimension (hxwxh): 585 mm - 595 mm x 560 mm - 568 mm x 550 mm
- Please refer to the dimensions provided in the installation manual
- Energy efficiency rating (acc. EU Nr. 65/2014):  
Energy consumption per cycle in conventional mode: 81.2  
Energy consumption per cycle in fan-forced convection mode: 0.69 kwh  
Number of cavities: 1  
Heat source: electrical  
Cavity volume: 71 litre

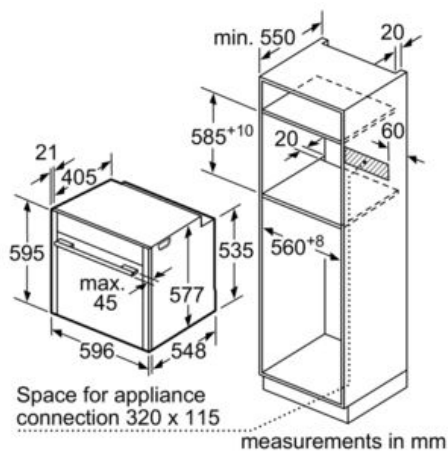
B17CR32N1B  
 SINGLE OVEN  
 STAINLESS STEEL

Dimensioned drawings

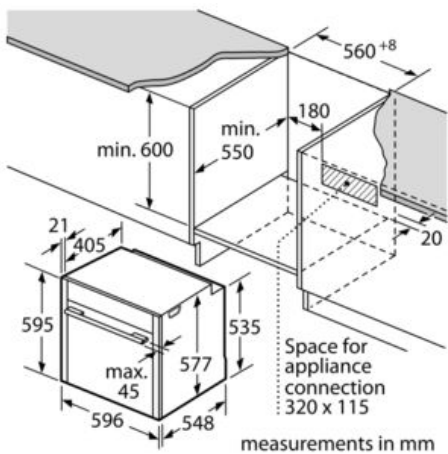
Installation with a hob.



measurements in mm



measurements in mm



measurements in mm