



Russell Hobbs

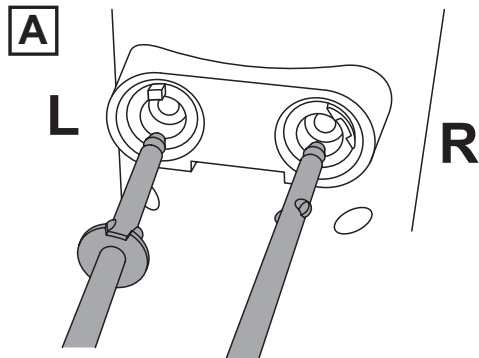
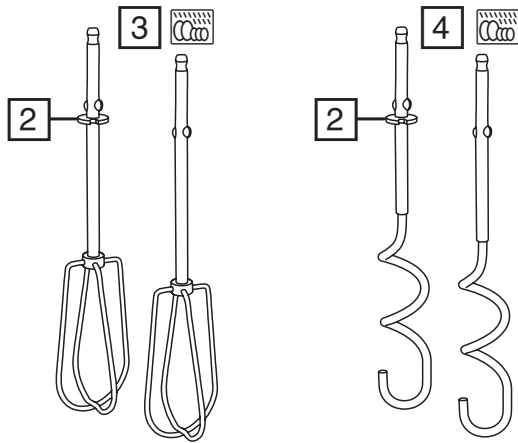
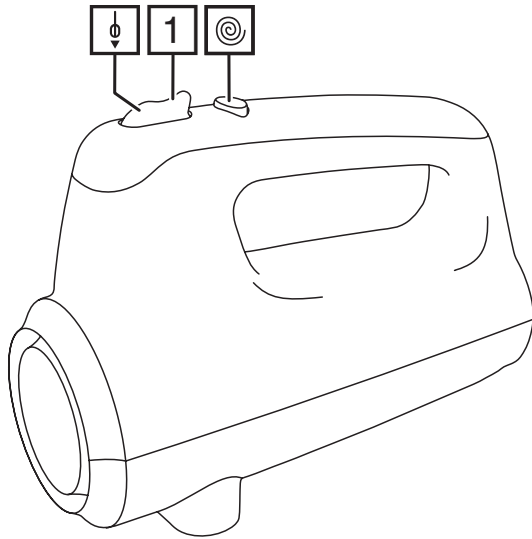


24672

 www.russellhobbs.com

Register online for an EXTRA year guarantee

Visit uk.russellhobbs.com/product-registration You must register within 28 days of purchase



Read the instructions, keep them safe, pass them on if you pass the appliance on. Remove all packaging before use.

IMPORTANT SAFEGUARDS

Follow basic safety precautions, including:

This appliance can be used by persons with reduced physical, sensory or mental capabilities or lack of experience and knowledge if they have been supervised/instructed and understand the hazards involved.

Children must not use or play with the appliance.

Keep the appliance and cable out of reach of children.

Misuse of the appliance may cause injury.

Unplug the appliance before assembly, disassembly, or cleaning.

Don't leave the appliance unattended while plugged in.

If the cable is damaged, it must be replaced by the manufacturer, its service agent, or someone similarly qualified, to avoid hazard.

- ⊗ Do not use this appliance near bathtubs, showers, basins or other vessels containing water.
- Don't use accessories or attachments other than those we supply.
- Don't use the appliance for any purpose other than those described in these instructions.
- Don't use the appliance if it's damaged or malfunctions.

HOUSEHOLD USE ONLY

DIAGRAMS

- | | |
|------------------|-----------|
| 1. Speed control | 3. Whisks |
| 2. Flange | 4. Hooks |


FITTING THE WHISKS/ HOOKS

1. Switch off (0) and unplug the mixer before fitting or removing the whisks/hooks.
2. Turn each whisk or hook to align the pips on the shaft with the slots in the drive head, then push it into the drive head till it clicks into place.
3. Each whisk/hook must be fitted into a specific drive head.
4. Insert the one with the flange into the left-hand drive head (looking up from under the mixer fig. A).
5. Use both whisks or both hooks, don't mix them.


REMOVING THE WHISKS/HOOKS

1. Switch off (0) and unplug the mixer, then shake any excess mixture into the mixing bowl.
2. Hold both whisks/hooks, to prevent them jumping out, and press ↓ This will eject them from the drive heads.

USING THE MIXER

1. Move the speed control to **0**.
2. Put the plug into the power socket.
3. Move the speed control to the speed you require (**1 to 5**).
4. Pressing the turbo button  will over-ride the speed set by the speed control, and give you a burst of high speed. It only works when the motor is already running (**1 to 5**).
5. Move the speed control to **0** to switch off.
 - Generally, large quantities, thick mixes, and a high ratio of solids to liquids suggest longer timings and slower speeds.
 - Smaller quantities, thinner mixes, and more liquids than solids suggest shorter timings and higher speeds.
 - Use the whisks for beating/aerating light dough and batter.
 - Use the hooks for mixing heavier dough (e.g. bread, fruit-cake).
 - When making dough, use the mixer only for mixing the ingredients. Don't use it for kneading. You'll overload it and damage the motor.
 - Don't run the motor continuously for more than 5 minutes, it may overheat. After 5 minutes switch off for at least 5 minutes, to recover.
 - If the motor starts to labour, add more liquid to the mix, if possible, or switch off and carry on by hand.

CARE AND MAINTENANCE

1. Switch the appliance off (**0**) and unplug it.
2. Clean the outside surfaces of the appliance with a damp cloth.
 Wash the whisks and hooks in hot soapy water, or in the cutlery basket of your dishwasher.

RECYCLING



To avoid environmental and health problems due to hazardous substances, appliances and rechargeable and non-rechargeable batteries marked with one of these symbols must not be disposed of with unsorted municipal waste. Always dispose of electrical and electronic products and, where applicable, rechargeable and non-rechargeable batteries, at an appropriate official recycling/collection point.

SERVICE

If you ring Customer Service, please have the Model Number to hand, as we won't be able to help you without it. It's on the rating plate (usually underneath the product).

The product isn't user-serviceable. If it's not working, read the instructions, check the plug fuse and main fuse/circuit breaker. If it's still not working, consult your retailer.

If that doesn't solve the problem – ring Customer Service – they may be able to offer technical advice.

If they advise you to return the product to us, pack it carefully, include a note with your name, address, day phone number, and what's wrong. If under guarantee, say where and when purchased, and include proof of purchase (till receipt). Send it to:

Customer Service

Spectrum Brands (UK) Ltd

Fir Street, Failsworth, Manchester M35 0HS

email: support@russellhobbs.com

telephone: 0345 658 9700 (local rate number)

Please note: If you have purchased the product within the last 6 months, please contact the retailer in the first instance to deal with any matters relating to warranty.

GUARANTEE

Defects affecting product functionality appearing within the guarantee period will be corrected by replacement or repair at our option provided the product is used and maintained in accordance with the instructions. Your statutory rights are not affected.

Guarantee period = 2 years from first retail purchase.

To claim an extra 1 year guarantee, register your product online within 28 days of purchase.

Register at: uk.russellhobbs.com/product-registration

Consumables are guaranteed only for their recommended lifecycle. Replacement/Spare parts* are excluded and are only covered by a 1 year warranty.

* Examples include filters, removable grill plates, drip trays/crumb trays etc.

ONLINE

www.russellhobbs.com for more products