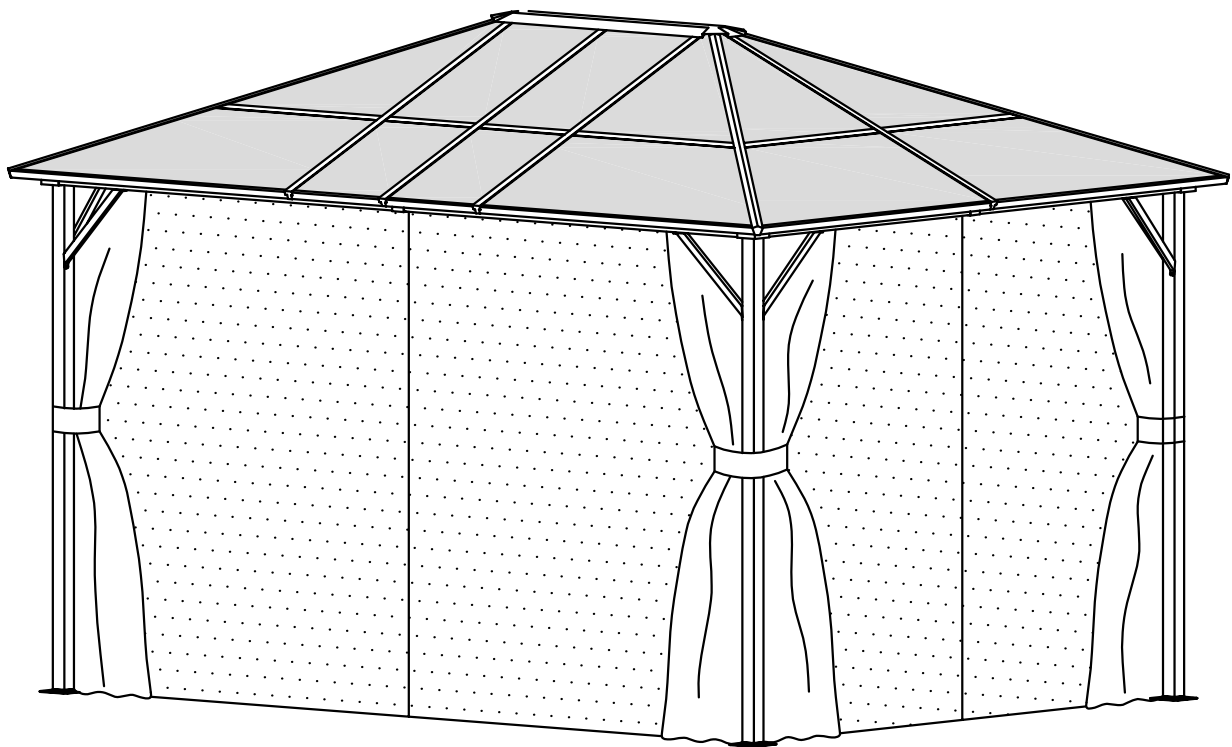


Assembly instructions

Product Size 300 x 400 x270 CM



IMPORTANT: Please read the instructions in full before assembly and keep for future reference.



Assembly:

- Make sure that you have plenty of space and a clean, dry area for assembly.
- Due to the size of this product, we recommend that it is assembled in the area intended for use.
- Unwrap all packaging and place the components on top of the carton box or on a clean floor to prevent scratching.
- Check the parts and fittings received to ensure you have everything listed.
- To avoid risk of suffocation to children and animals, dispose of plastic bags immediately.
- Keep all fittings out of reach of children during assembly.
- Do not use power tools to construct the product, as their use could make the products unsafe and invalidate the warranty.
- Do not overtighten screws or bolts.
- If fixings are found to be damaged or missing, they must be replaced before further use of the product.

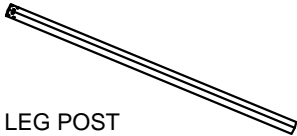
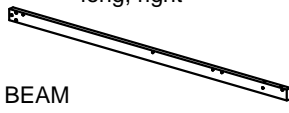
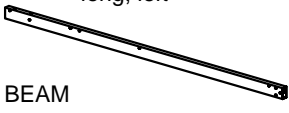
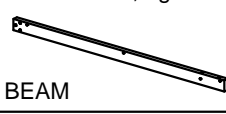
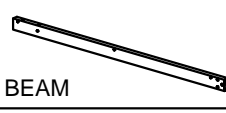


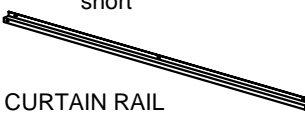
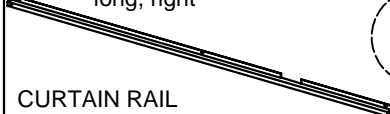
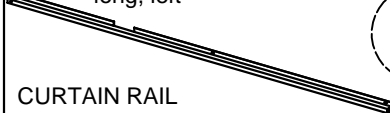

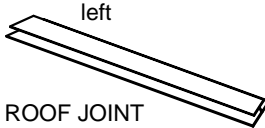
Care and Maintenance:

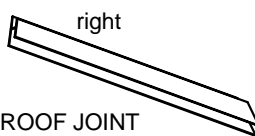



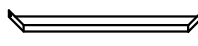

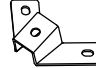
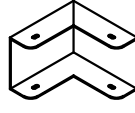
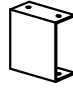

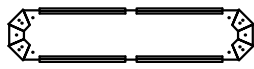
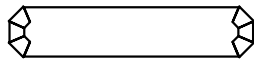
- The fixings should be regularly checked and tightened as necessary .
- Do not use scourers, abrasives (including washing powders), bleach or solvent based cleaners as they can bleach or damage the product.
- Do not leave the gazebo outside in heavy rain or stormy conditions.
- Wipe down the gazebo regularly (and after every time a barbeque is used underneath) with a damp cloth.

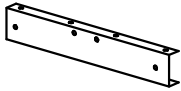


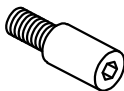





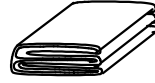
Safety:

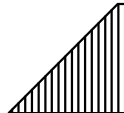
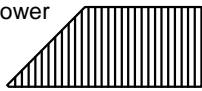
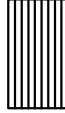
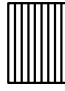
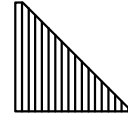
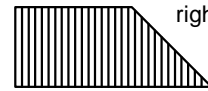
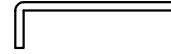

- Never leave a hot or burning barbeque unsupervised.
- If needed, only use a dedicated barbeque accelerant.
- Have fire safety equipment at hand.
- Ensure the Gazebo is well ventilated.
- Never allow flames to rise above the barbeque as the heat can damage the gazebo roof.
- Do not stand from the gazebo frame.

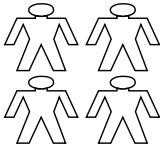



PARTS LIST

No.	Parts	Qty
A	 LEG POST	4
B ₁	 BEAM	2
B ₂	 BEAM	2
C ₁	 BEAM	2
C ₂	 BEAM	2
D	 CORNER RIB	4
E	 MID RIB	8
F	 CURTAIN RAIL	4
F ₁	 CURTAIN RAIL	2
F ₂	 CURTAIN RAIL	2
G	 ROOF JOINT	4
G ₁	 ROOF JOINT	4

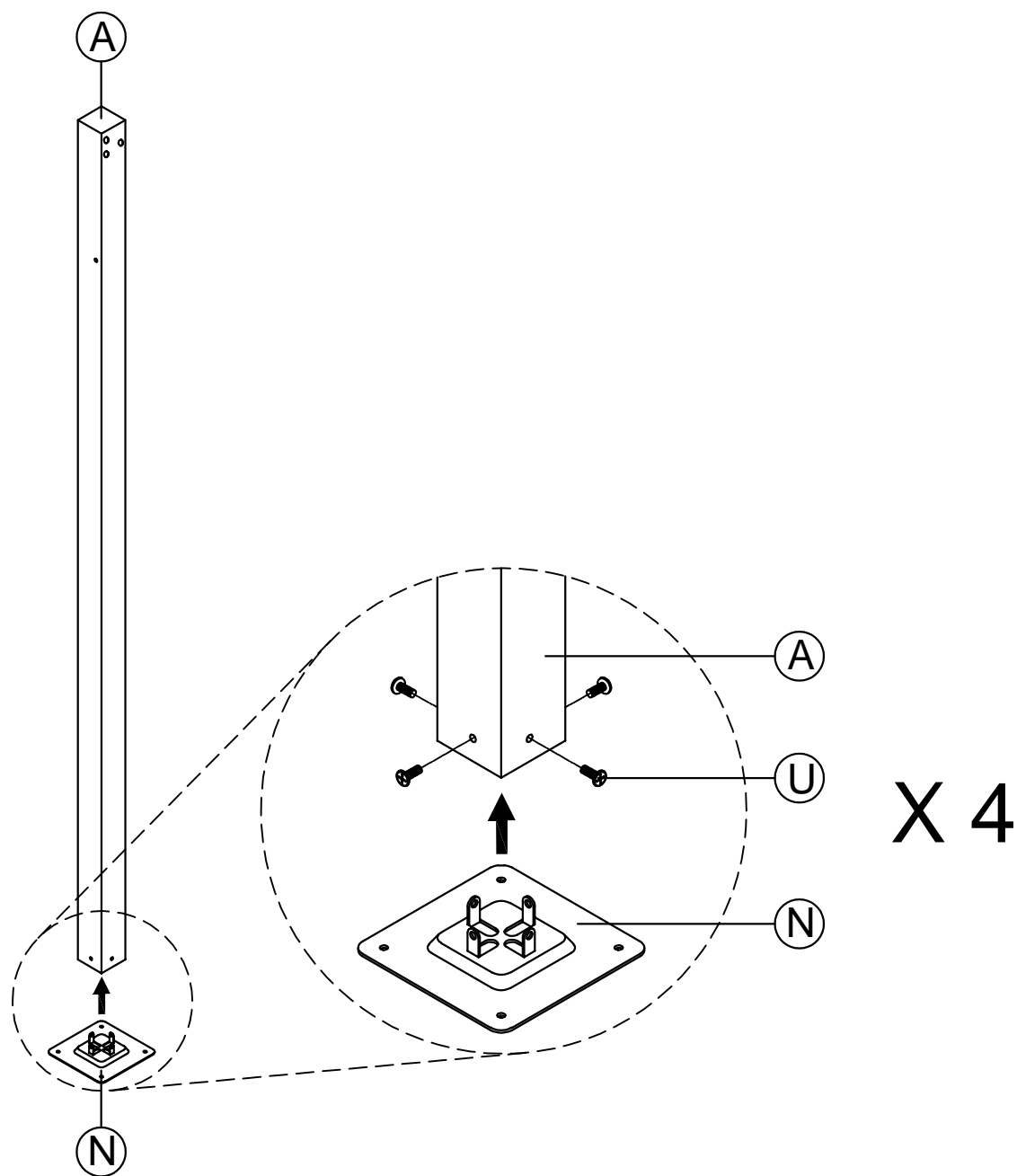
No.	Parts	Qty
G ₂	 ROOF JOINT	4
H	 EDGE PROTECTOR	4
H ₁	 EDGE PROTECTOR	4
H ₂	 EDGE PROTECTOR	4
I	 STRENGTHEN BAR	8
J	 MID RIB CONNECTOR	8
K	 CORNER RIB CONNECTOR	4
L	 CORNER BEAM COVER	4
M	 MID BEAM COVER	4
N	 FOOT PLATE	4
O	 LOWER TOP PLATE	1
P	 UPPER TOP PLATE	1

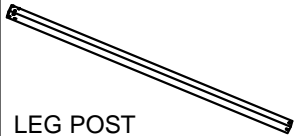


No.	Parts	Qty
Q	 BEAM CONNECTOR	4
R	 CORNER RIB CAP	4
S	 MID RIB CAP	8
T	 M6 x 16	24
U	 M6 x 16	139
V	 ST4 x 25	8
W	 ST4 x 15	32
X	 HOOK	104
Y	 MOSQUITO NETS	4
Z	 FABRIC SIDE PANELS	4

No.	Parts	Qty
1	left, upper  ROOF PANEL	4
2	left, lower  ROOF PANEL	4
3	middle, upper  ROOF PANEL	4
4	middle, lower  ROOF PANEL	4
5	right, upper  ROOF PANEL	4
6	right, lower  ROOF PANEL	4
7	 STAKE	16
8	 ALLEN WRENCH	1

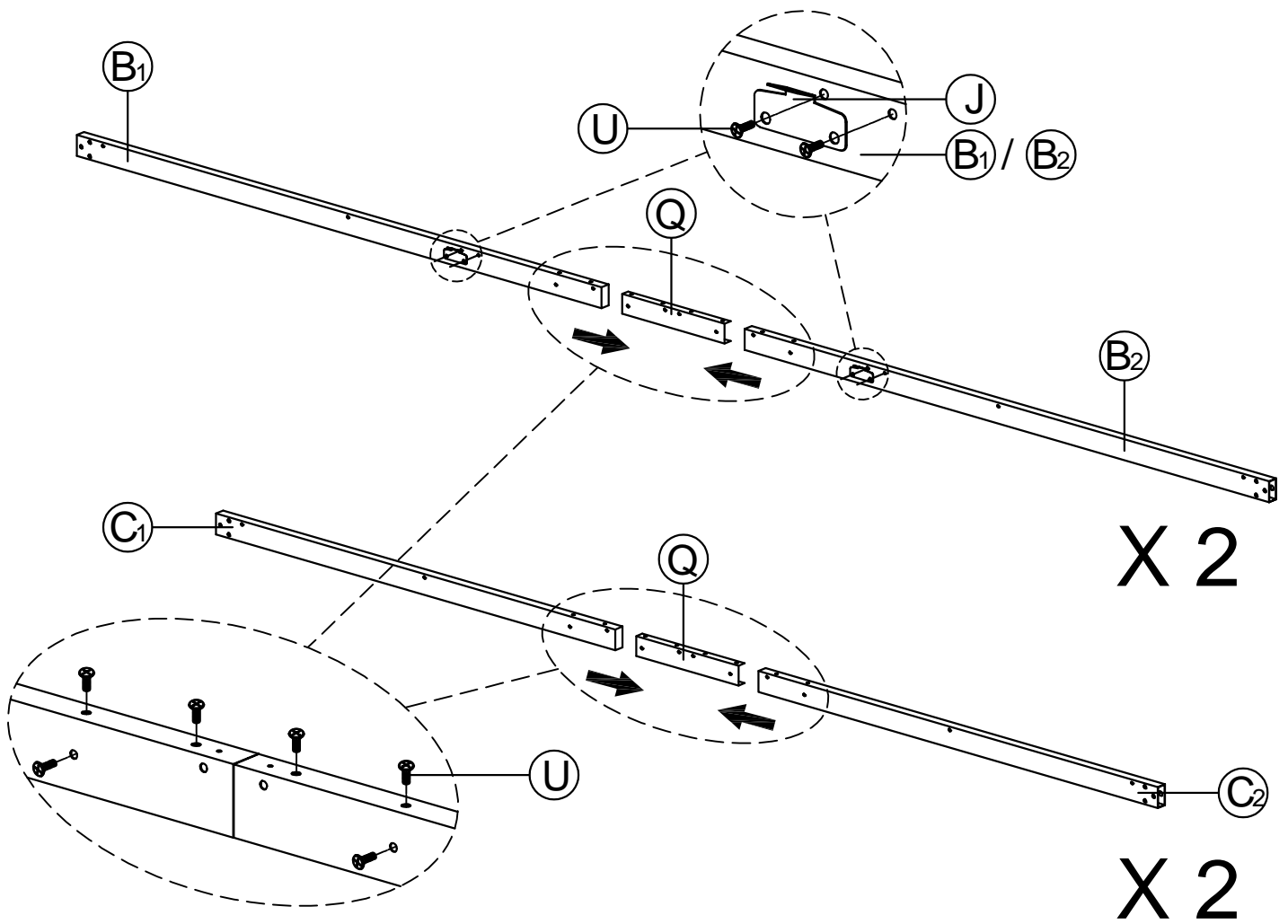
	 2:30h		
---	--	---	--




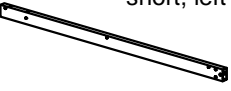
STEP 1 Assemble the Leg posts






A	 LEG POST	4
N	 FOOT PLATE	4
U	 M6 x 16	16

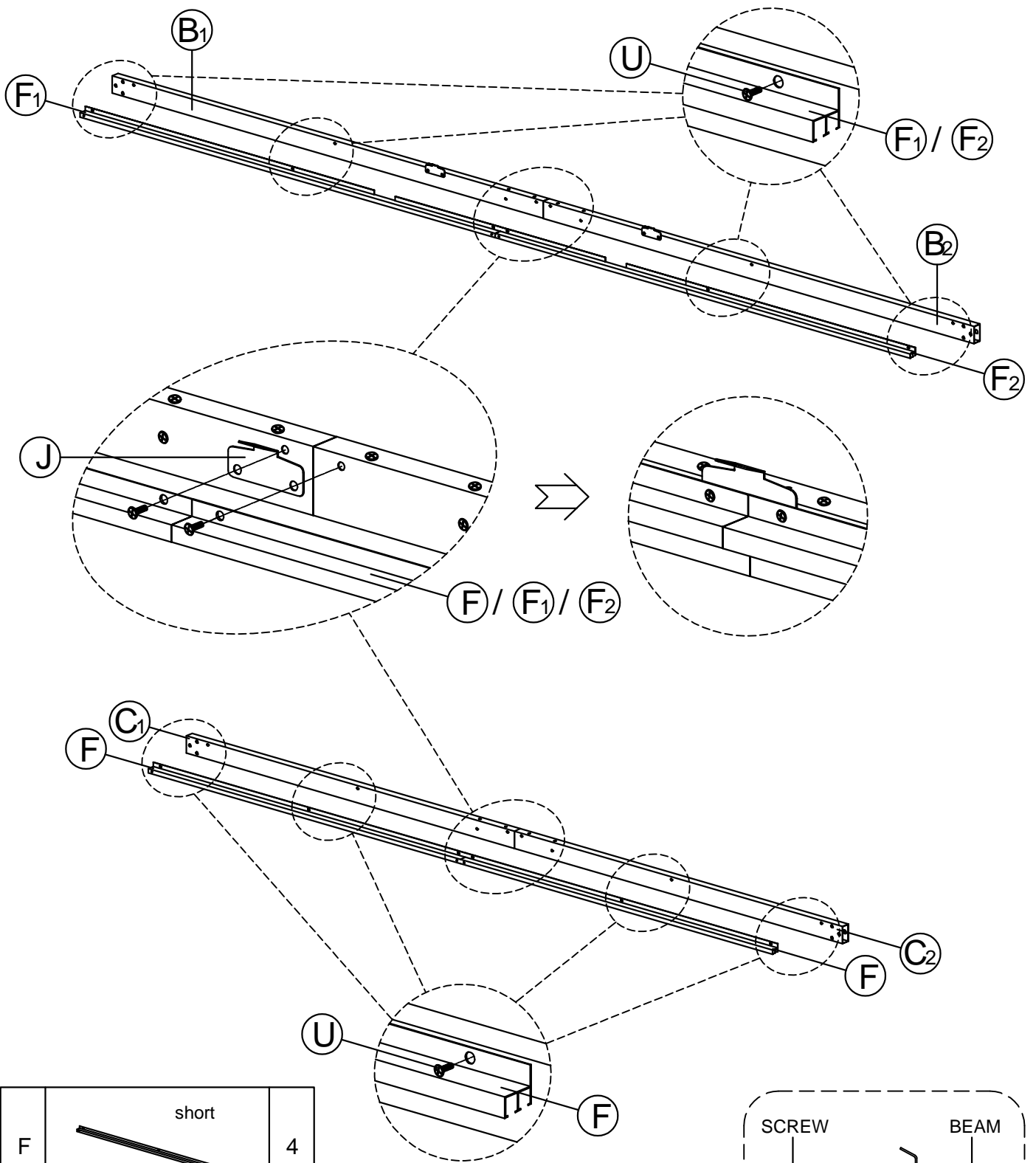
STEP 2 Assemble the Beams



B ₁	 long, right BEAM	2
B ₂	 long, left BEAM	2
C ₁	 short, right BEAM	2
C ₂	 short, left BEAM	2

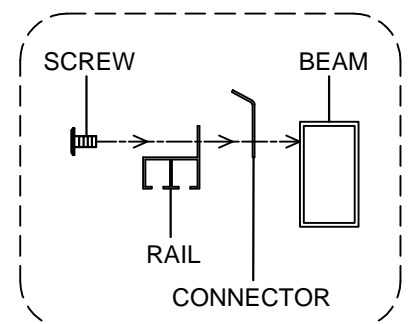
J	 MID RIB CONNECTOR	4
Q	 BEAM CONNECTOR	4
U	 M6 x 16	32

STEP 3 Attach the Rails to the Beams

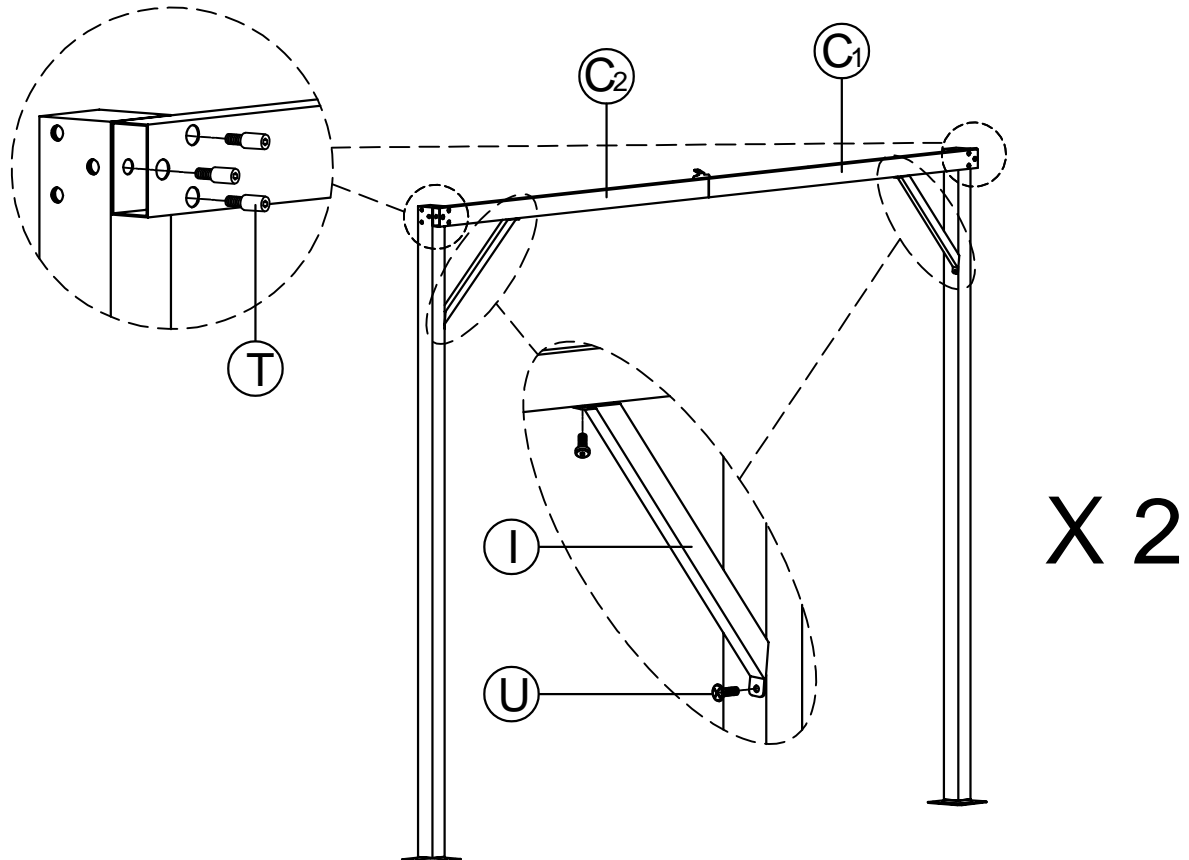


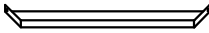
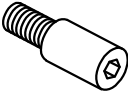


F	short CURTAIN RAIL	4
F ₁	long, right CURTAIN RAIL	2
F ₂	long, left CURTAIN RAIL	2

J	MID RIB CONNECTOR	4
U	M6 x 16	24

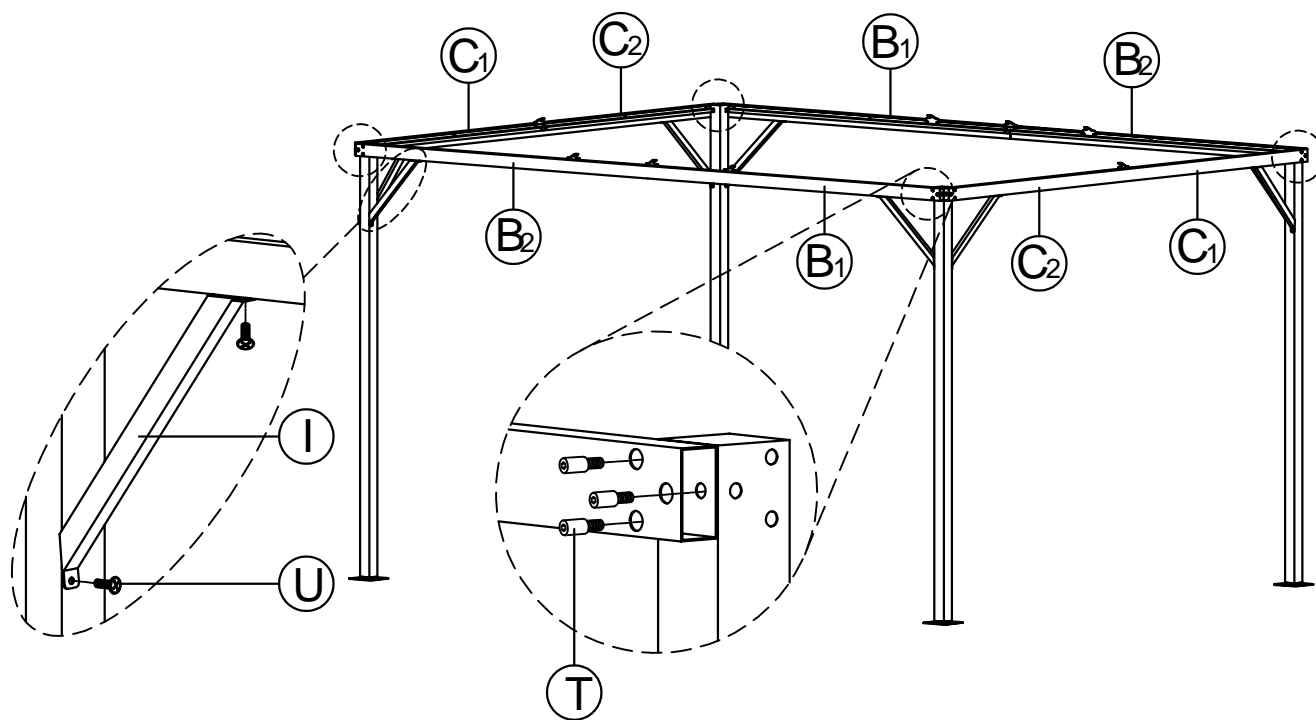


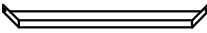
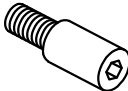


STEP 4 Attach the short Beams to the Leg posts



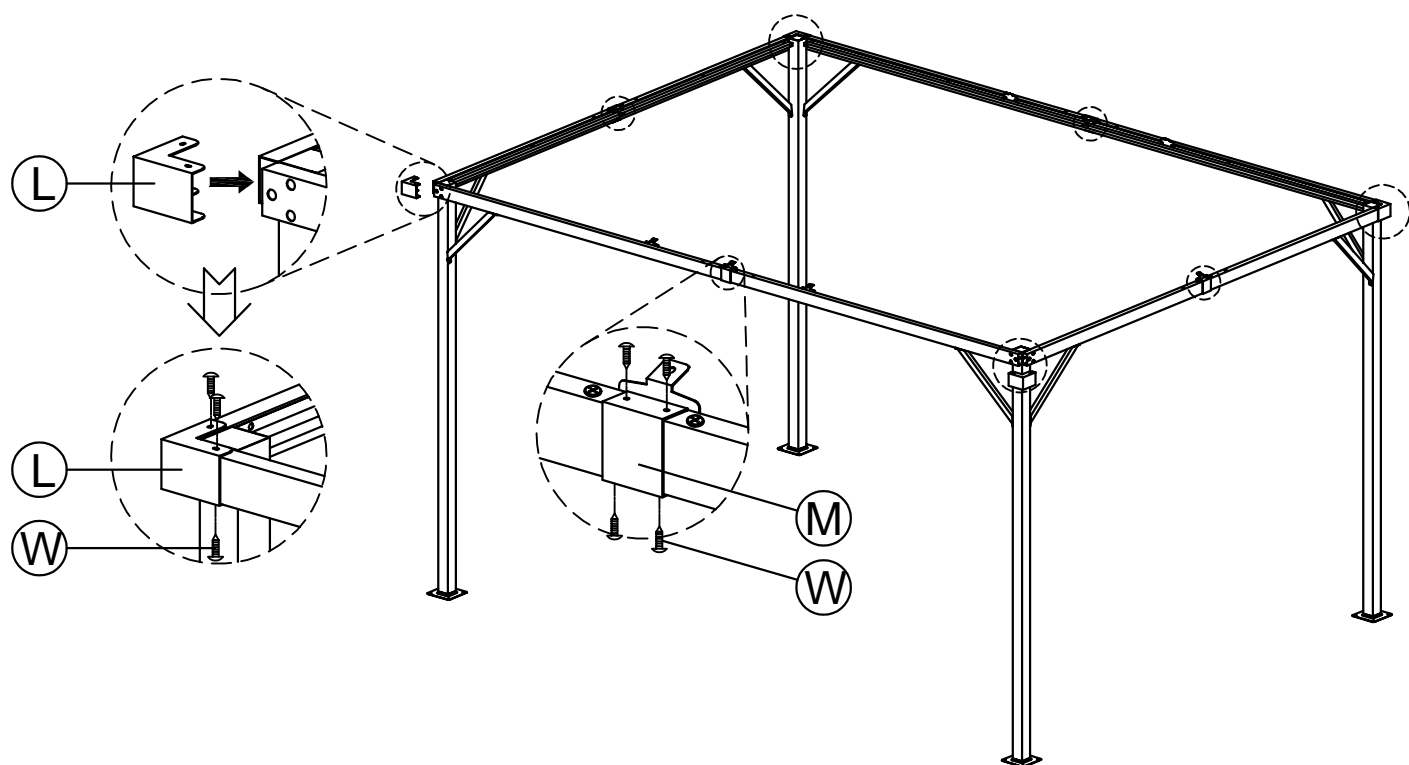
I	 STRENGTHEN BAR	4
T	 M6 x 16	12
U	 M6 x 16	8
8	 ALLEN WRENCH	1

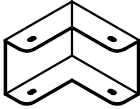
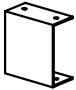

STEP 5 Attach the long Beams to the Leg posts



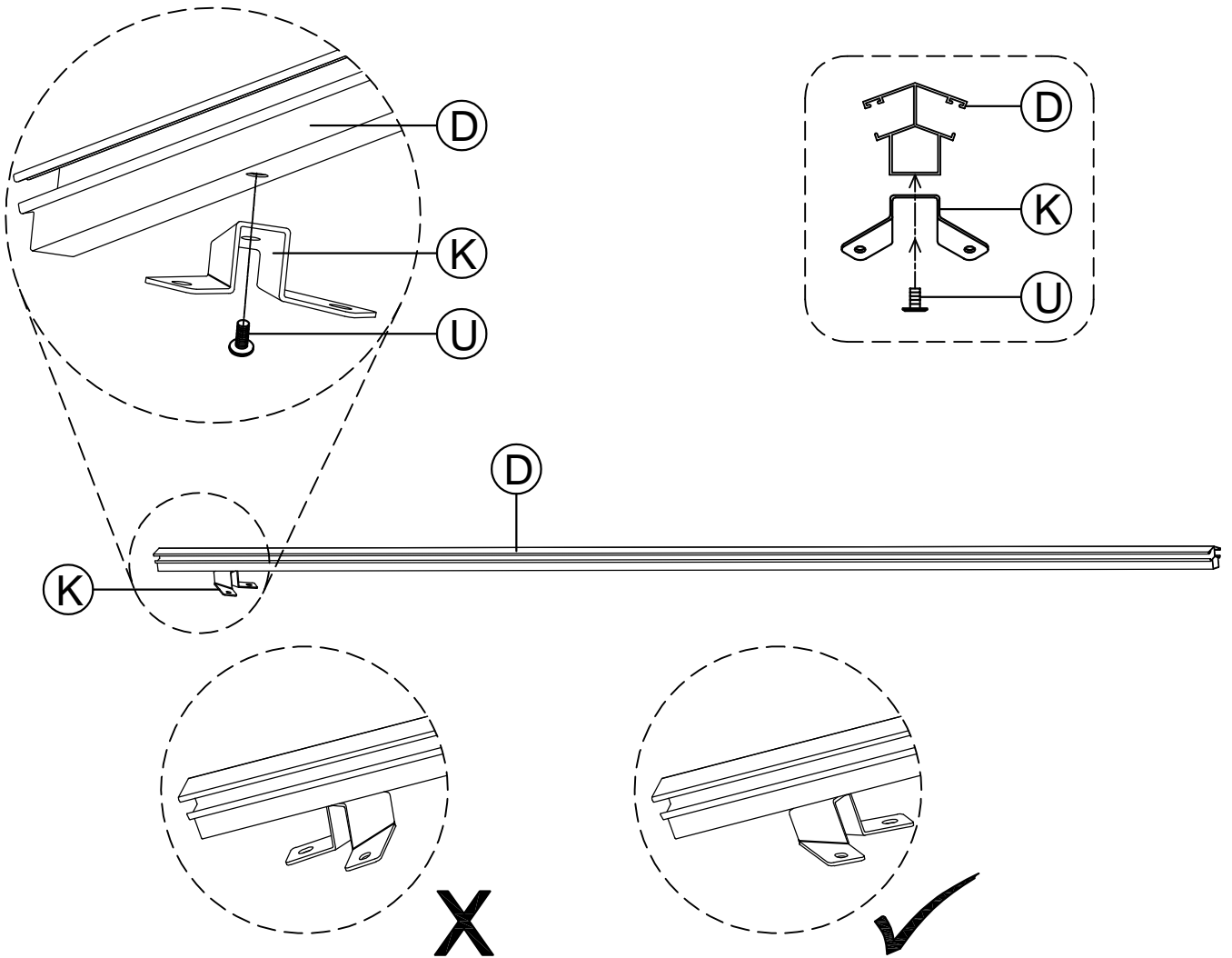
I	 STRENGTHEN BAR	4
T	 M6 x 16	12
U	 M6 x 16	8
8	 ALLEN WRENCH	1


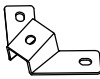

STEP 6 Install the Beam covers

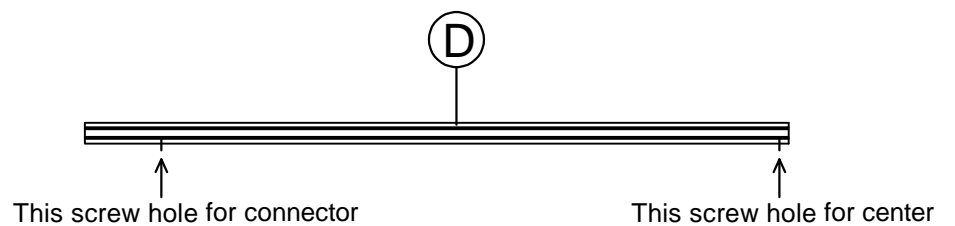


L	 CORNER BEAM COVER	4
M	 MID BEAM COVER	4
W	 ST4 x 15	32

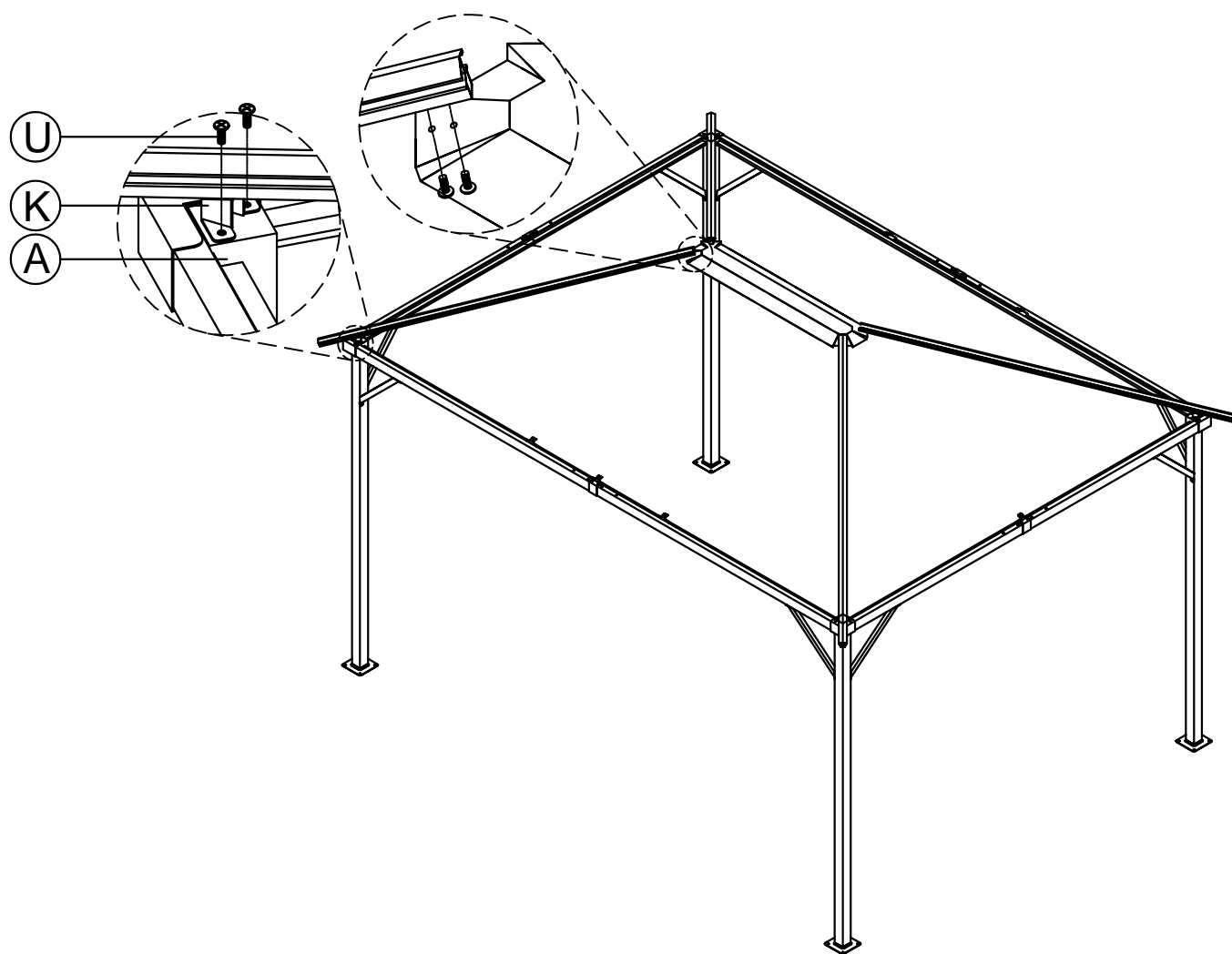
STEP 7 Assemble four Corner ribs





D		4
K		4
U		4
	M6 x 16	

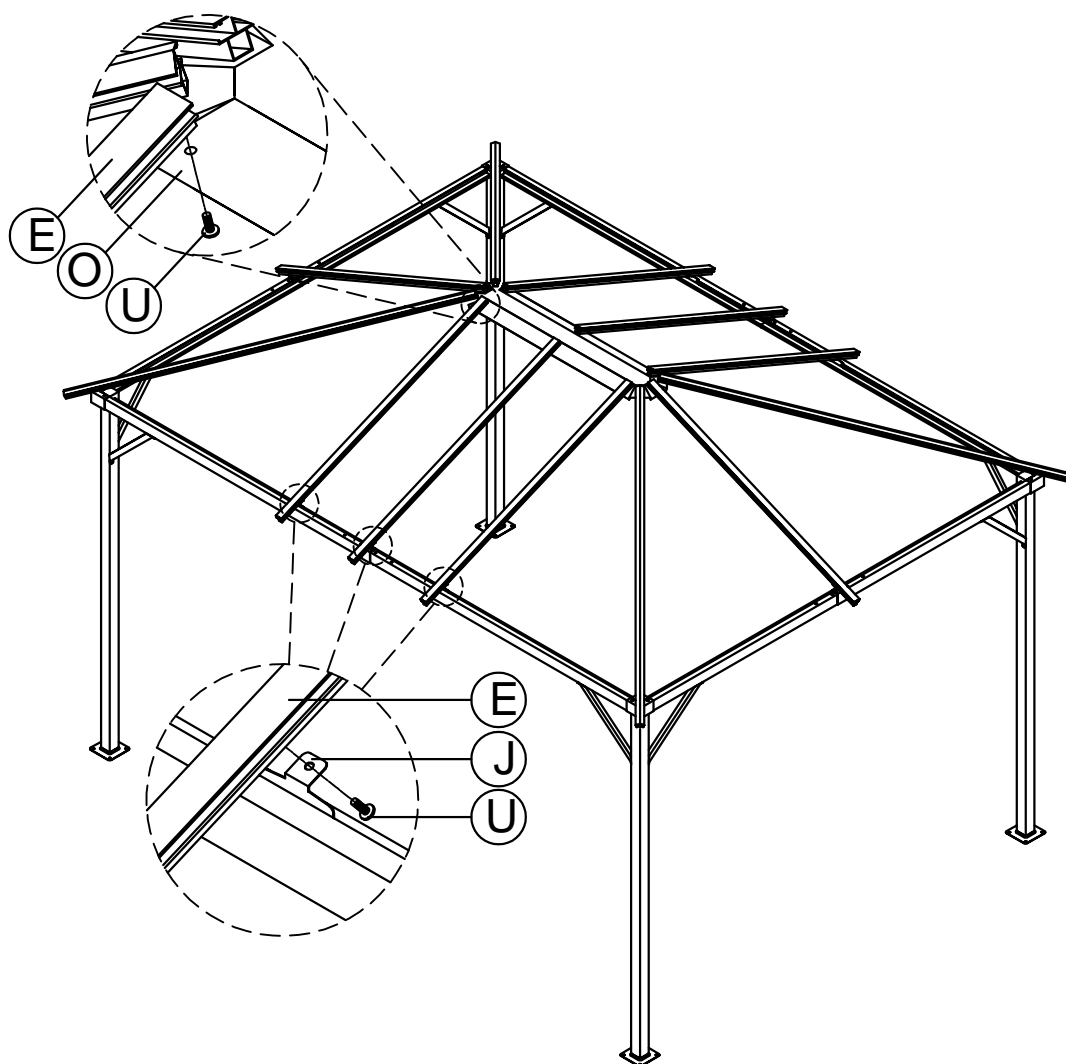


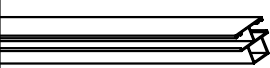

STEP 8 Put up Lower top plate and Corner ribs

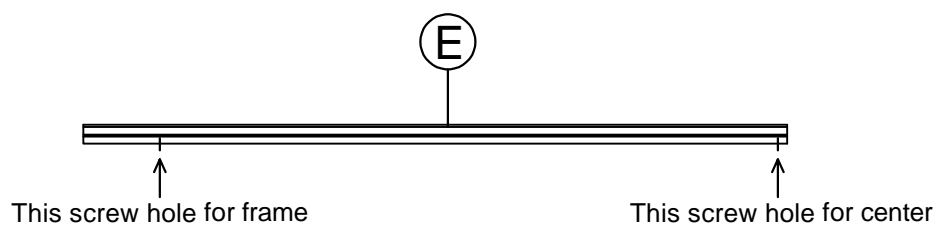


O	 LOWER TOP PLATE	1
U	 M6 x 16	16

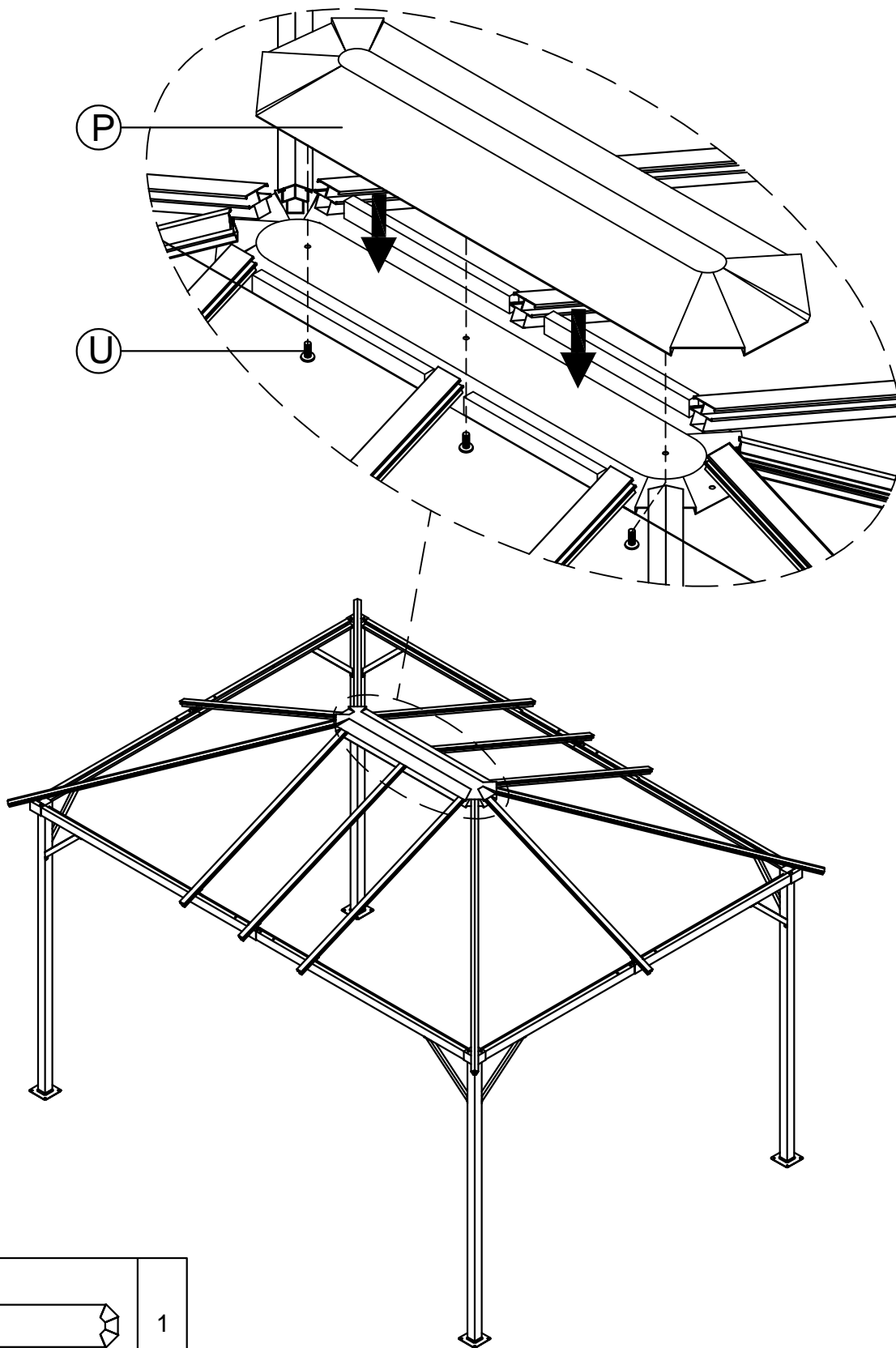
STEP 9 Install the Mid ribs

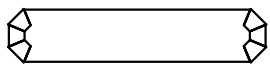



E		8
	MID RIB	
U		16
	M6 x 16	



STEP 10 Install the Upper top plate

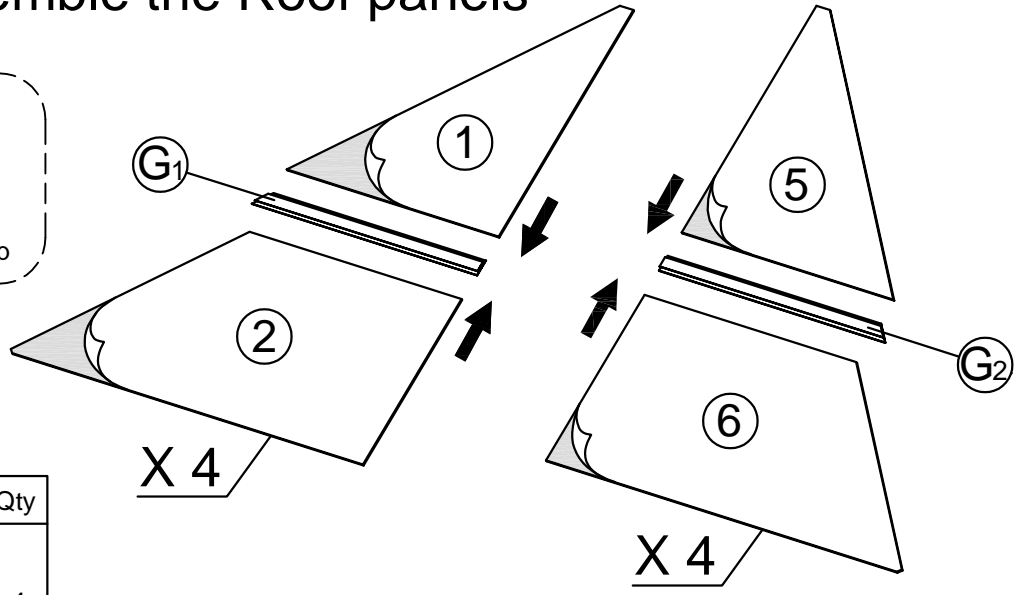


P	 UPPER TOP PLATE	1
U	 M6 x 16	3

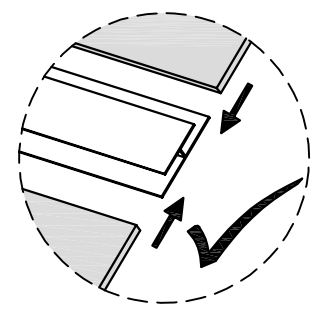
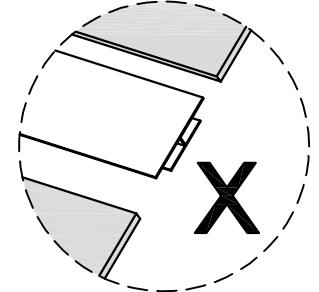
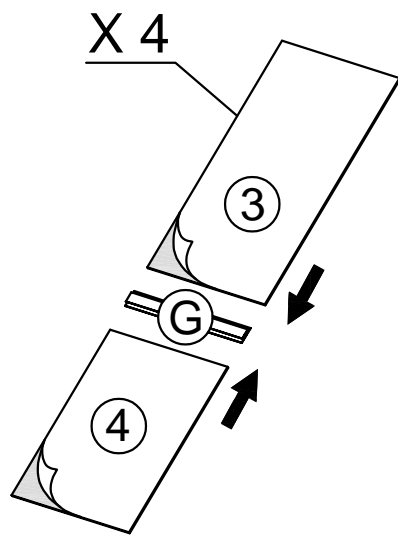
STEP 11 Assemble the Roof panels

Expose this side to sunlight

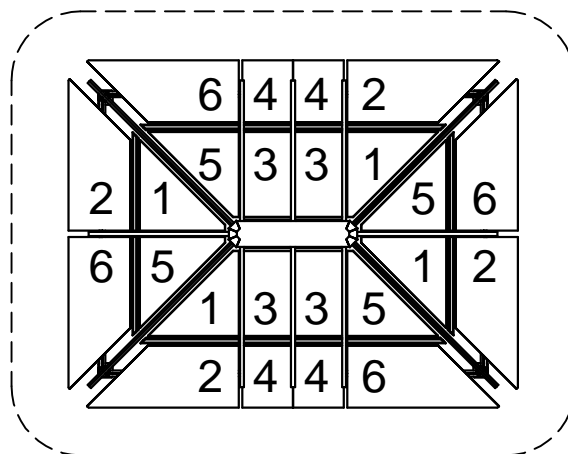
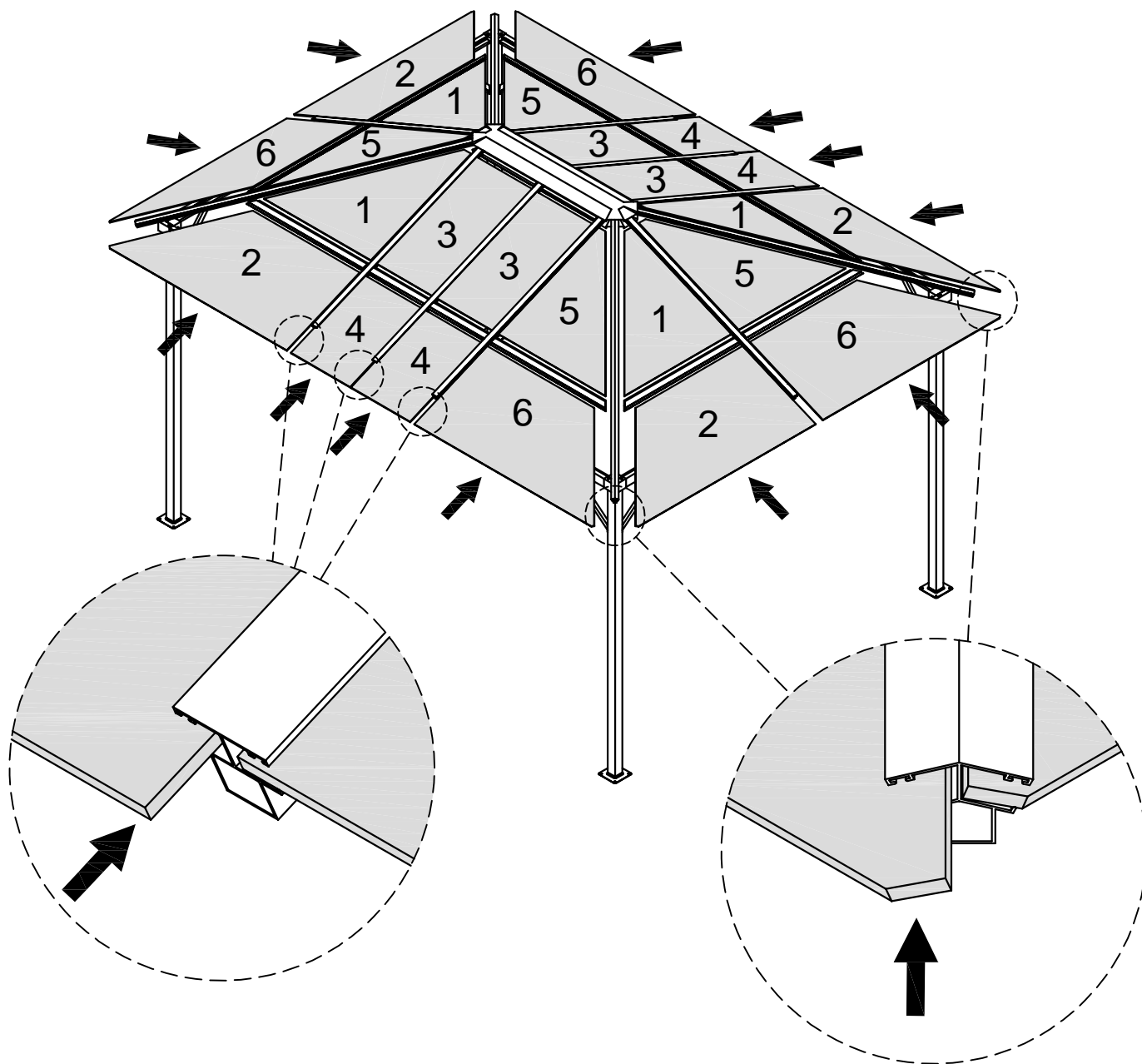
Keep these words side facing up



No.	Components in this step	Qty
G	middle ROOF JOINT	4
G ₁	left ROOF JOINT	4
G ₂	right ROOF JOINT	4
1	left, upper ROOF PANEL	4
2	left, lower ROOF PANEL	4
3	middle, upper ROOF PANEL	4
4	middle, lower ROOF PANEL	4
5	right, upper ROOF PANEL	4
6	right, lower ROOF PANEL	4

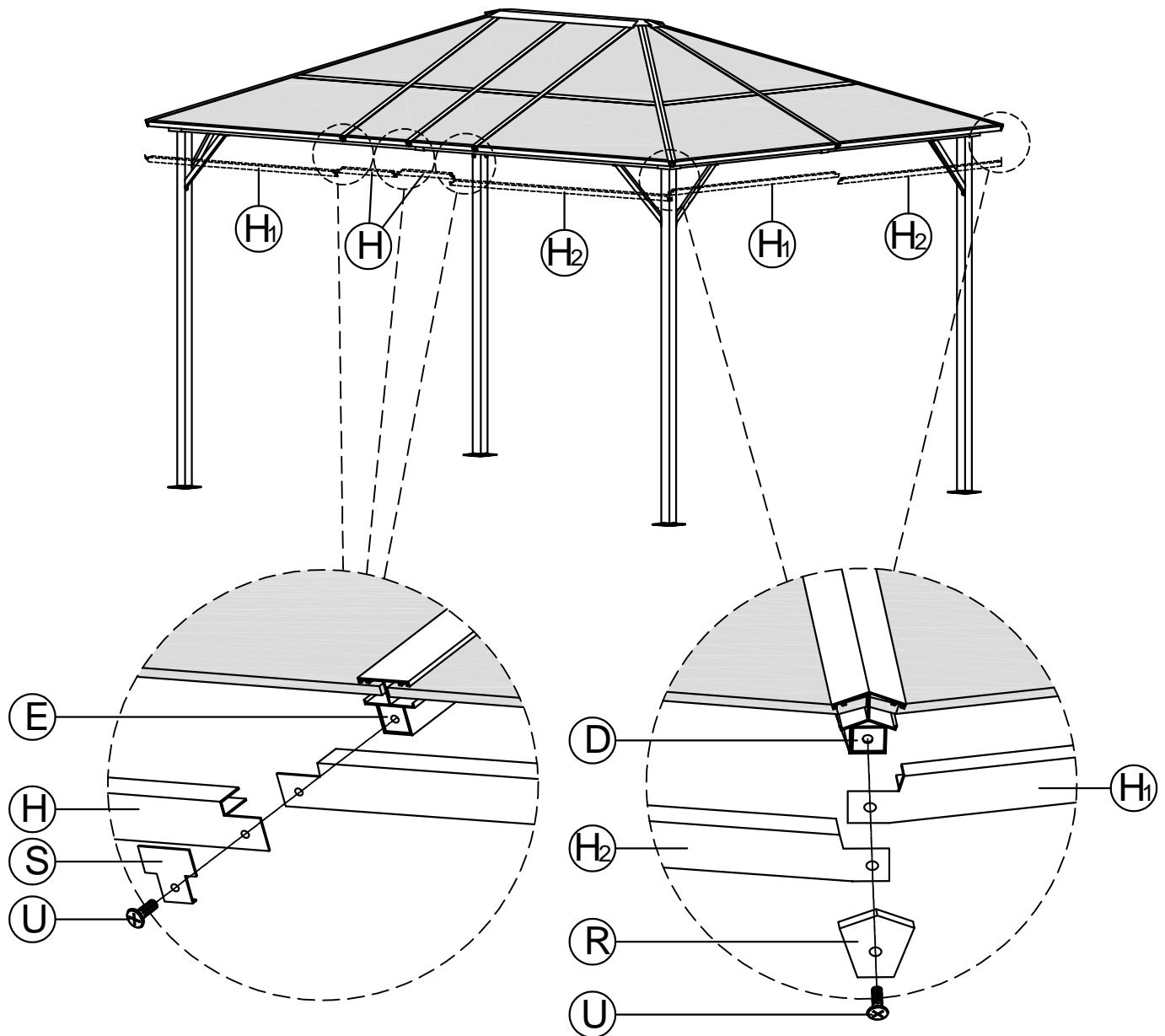


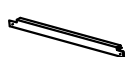


STEP 12 Put up the Roof panels






Top view

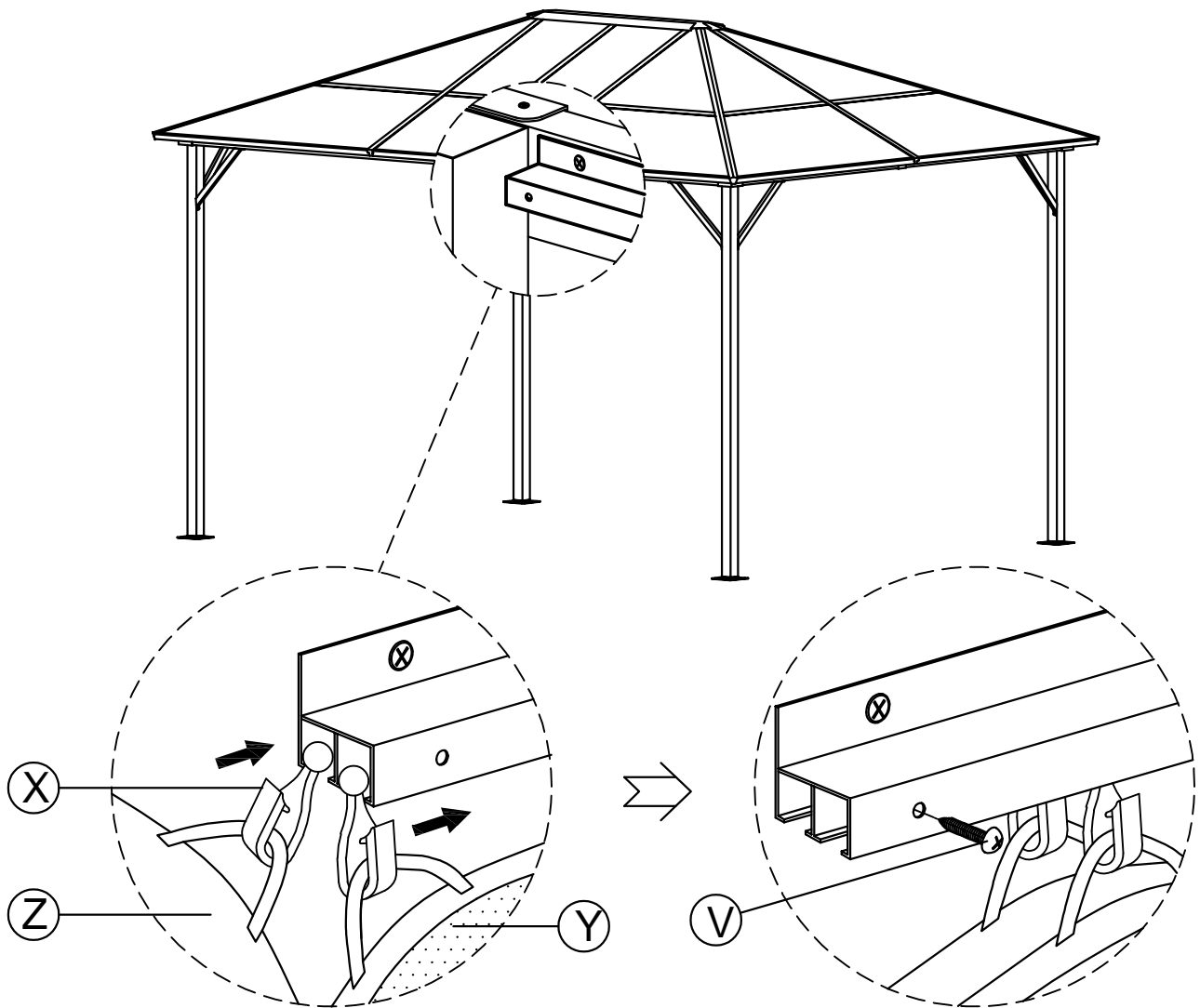
STEP 13 Install Edge protectors and Rib caps


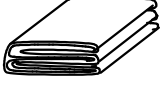




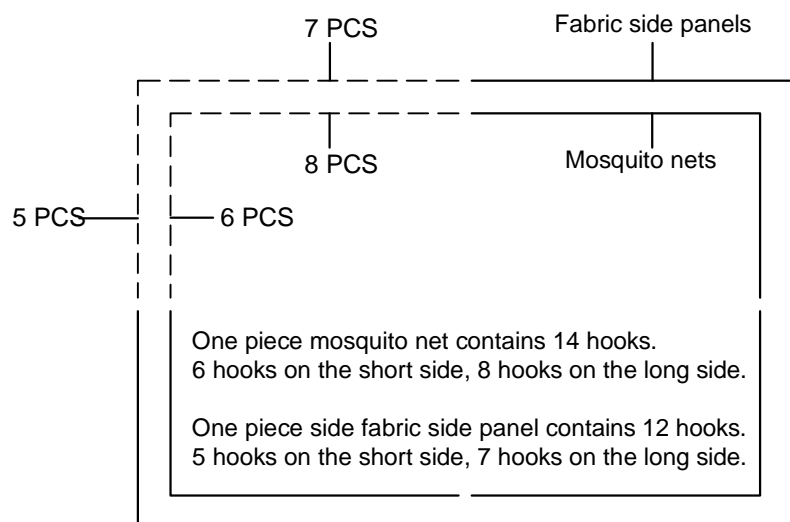
H	 middle EDGE PROTECTOR	4
H ₁	 left EDGE PROTECTOR	4
H ₂	 right EDGE PROTECTOR	4

R	 CORNER RIB CAP	4
S	 MID RIB CAP	8
U	 M6 x 16	12

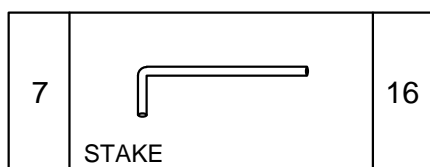
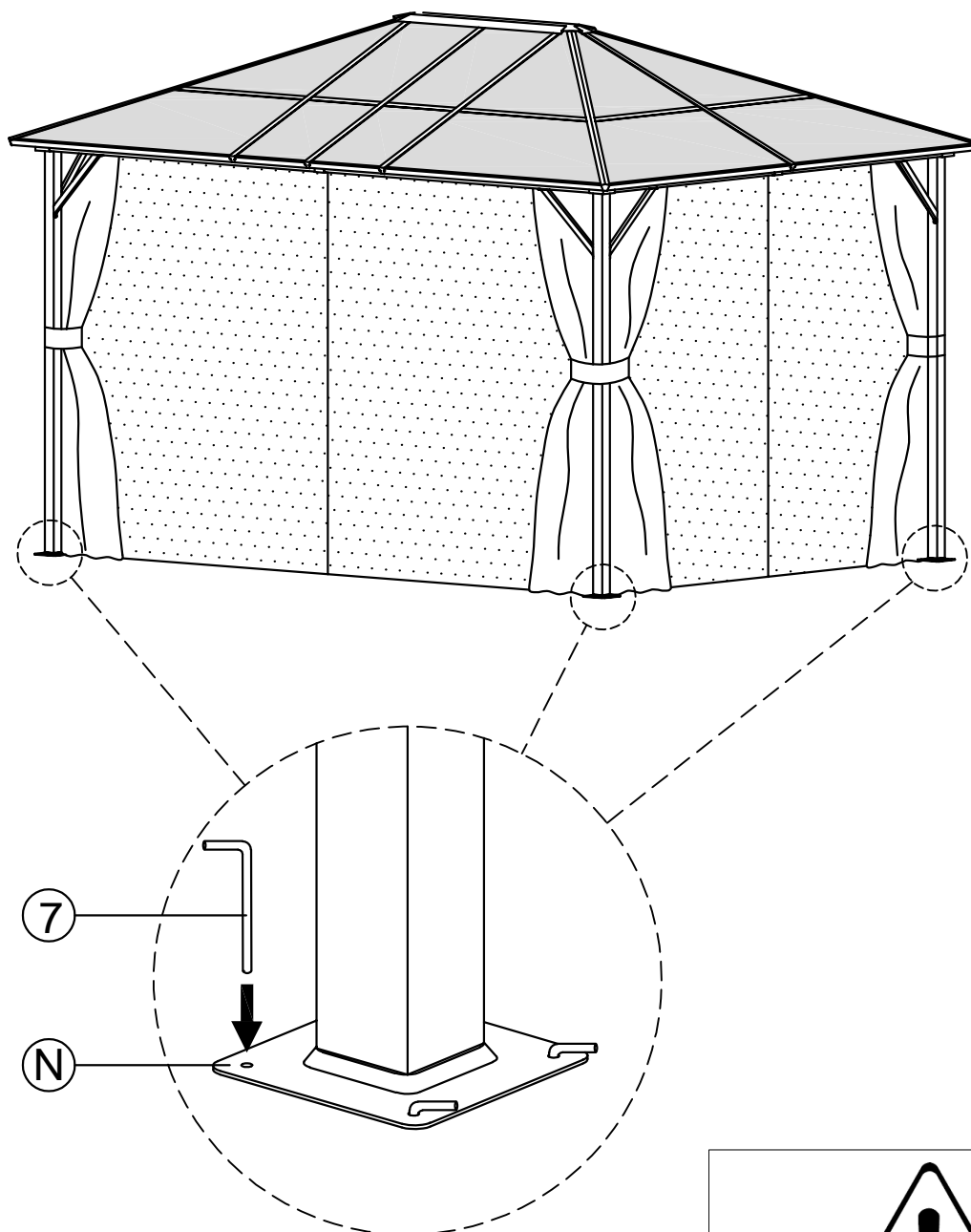
STEP 14 Put up Mosquito nets and Fabric side panel



Y	 MOSQUITO NETS	4
Z	 FABRIC SIDE PANELS	4
X	 HOOK	104
V	 ST4 x 25	8



STEP 15 Securing the Gazebo to the ground



Warning

When using a barbeque in this gazebo:

- Never leave a hot or burning Barbeque unsupervised
- If needed, only use a dedicated BBQ fire accelerant.
- Have fire safety equipment to hand
- Ensure the gazebo is well ventilated
- Never allow flames to rise above the BBQ as the heat can damage the gazebo roof.
- Always follow the instructions supplied with your BBQ.

furniture123