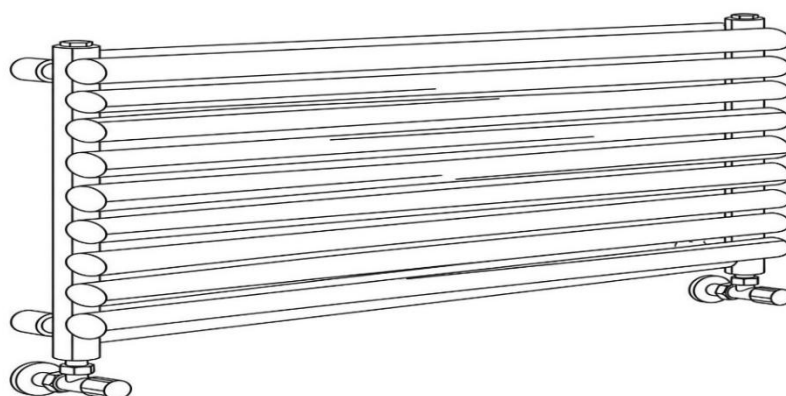
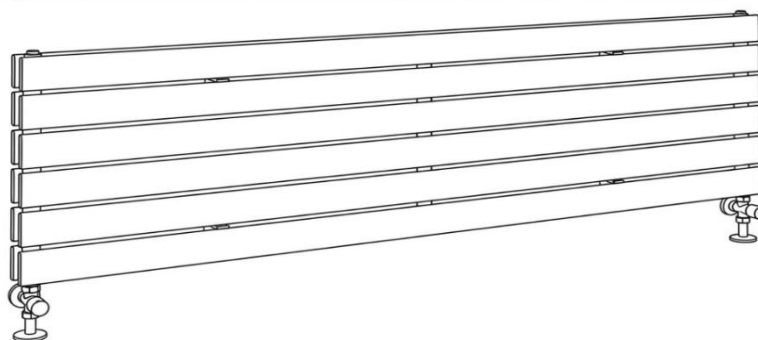
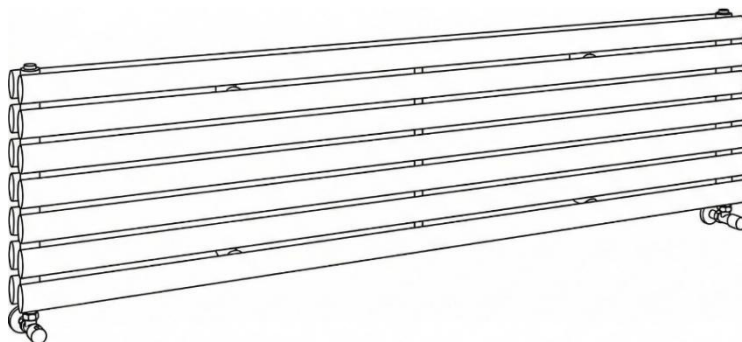
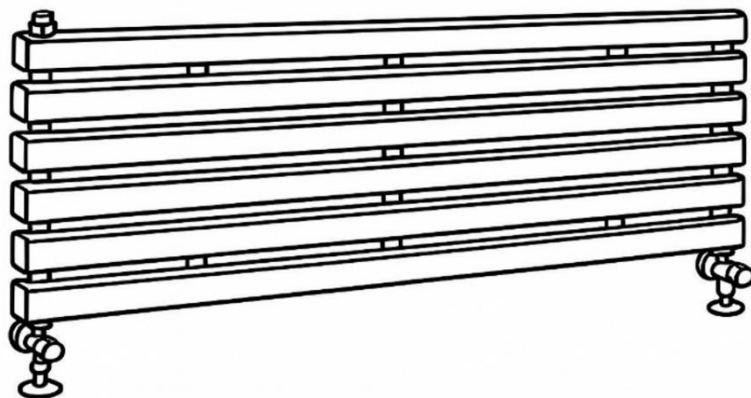


RIACE ravello SORRENTO VENTURA



USER MANUAL Inverted Panel Horizontal Designer Radiators

Thank you for choosing a Buy It Direct designer radiator
Please read this user manual before using this heater and keep it safe for future reference.
Visit our page, <https://www.appliancesdirect.co.uk/> for our entire range of products.

CONTENTS

SAFETY INSTRUCTIONS	3
TOOLS REQUIRED	3
INSTALLATION METHOD FOR ALL	5
PARTS	5
FOR RHS SINGLE MODELS	7
FOR RHD DOUBLE MODELS	8
CLEANING AND MAINTENANCE	9
TROUBLESHOOTING	9
SUPPORT	9

SAFETY INSTRUCTIONS

IMPORTANT: Read these instructions carefully before installing or operating the radiator.

- This radiator is manufactured in accordance with BS EN 442-1.
- Install the radiator indoors only.
- Inspect the radiator and all components for damage or missing parts before beginning installation.
- A competent person must install the radiator. Incorrect installation will invalidate the warranty.
- Flush all pipework before installation to prevent debris from entering the system and damaging the radiator.
- Use a suitable corrosion inhibitor in the heating system.
- Ensure the radiator is installed upright, level, and in the correct orientation.
- Place a dust sheet on the floor before installation to protect surfaces and catch small parts.
- When filled with water, radiators can be heavy. Confirm that the wall structure can safely support the weight of the radiator.
- Do not allow children to sit, climb, or hang on the radiator.
- Do not leave children unsupervised near the radiator when it is hot.
- The radiator may have sharp or hard edges; handle with care.
- Follow all mounting instructions carefully to avoid hazards.
- Only use the supplied mounting equipment, or equivalent components of the same size and type, to ensure correct spacing from the wall and adequate load support.
- Clean the radiator with a soft, damp cloth and mild soapy water.
- Do not use abrasives, bleach, chlorine, or harsh chemicals.
- Illustrations in this manual may differ slightly from the final product due to ongoing product development. Variations may exist between models covered by this manual.
- **IMPORTANT:** All technical data is printed on the radiator packaging.

TOOLS REQUIRED



Adjustable Spanner



Screwdrivers



Drill



Pencil



Spirit Level



Rubber Mallet



Tape Measure



Clean Cloth

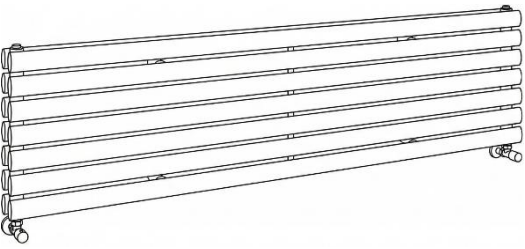
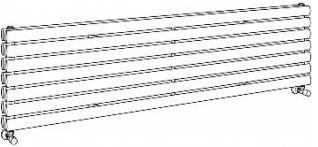
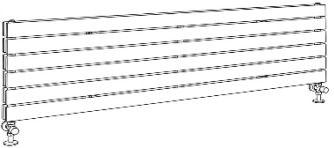
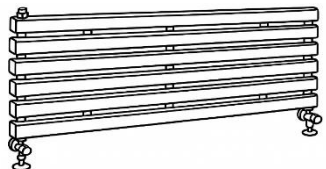
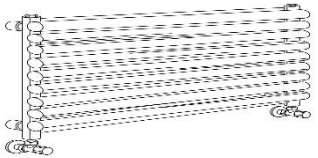


Gloves



PTFE Tape

MODELS EXPLAINED

Style/ Orientation/ Size / Colours	Model Reference	Image
Horizontal – Single panel	RHS	 <p>Example:</p> <p>RHD7-1200-WCO</p> <ul style="list-style-type: none"> • RHD: Horizontal Double panel • 7: number of bars 7 • 1200: radiator length 1200mm • WC: White colour
Horizontal - Double panel	RHD	
Number of bars	The digits following the panel code indicate bar quantity.	
Length	The digits in the middle is the radiator's length measured in millimetres (mm)	
Colours*	DGC – Anthracite WC – White BC – Black	
Oval Bars (Sorrento) Single/ Double	O	
Flat bars (Riace) Single/ Double	F	
Square Bars (Ravello) Single	S	
Rotated Oval Bars (Ventura) Single	OU	

IMPORTANT: The model reference shown above corresponds to the first 3 letters of the stock code printed on your radiator packaging.

* *Additional colours may be added in future ranges.*

ALL INSTALLATIONS

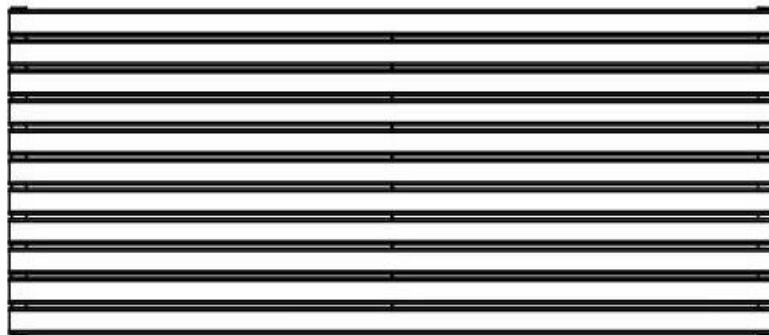
- Please ensure a competent or qualified professional installs the radiator and does any required pipework connections.
- Turn the water off from the main valve.
- Bleed the radiator system to ensure no debris will flow into the new radiator.
- Mount the radiator as per the instructions in this manual.
- Connect the radiator using a suitable connector for your desired placement. Use PTFE tape on the Male connection threads. First, twist the tape into a smaller string and wrap it around the threads. Then, wrap a final flat piece of PTFE tape over this. A sealant could also be used at the professional's discretion.
- Turn the water back on from the main valve.
- Repressurise the system, leaving the air vent open on the new radiator to ensure it fills with water. Check for leaks.

IMPORTANT: The installation parts are for solid stone/brick walls only. You will need to purchase different equipment if you are installing this onto a plasterboard partition wall. The plasterboard partition wall must be suitable for the installation of a radiator, i.e. reinforced to ensure it is capable of supporting the weight of the radiator.

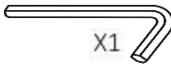









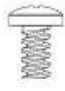
PARTS

IMPORTANT: All diagrams are for illustration only; the radiator and parts supplied may differ in appearance. Contents can vary depending on the specific model and style.

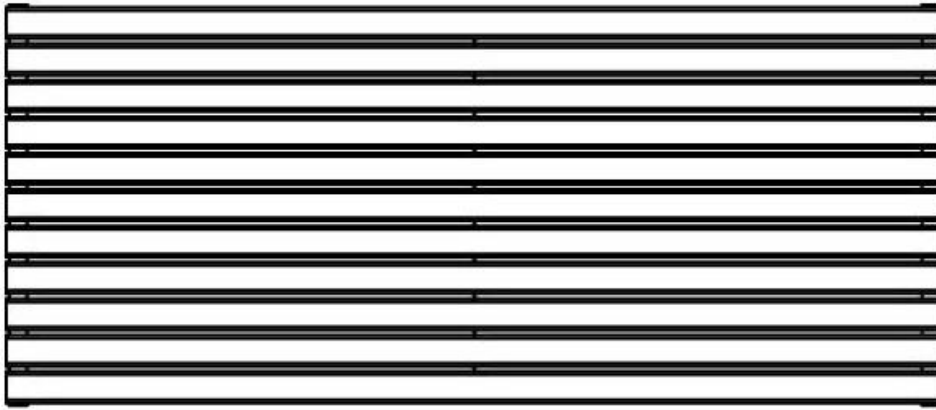
FOR RHS SINGLE MODELS



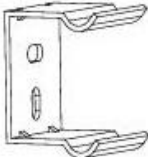







Body
X1

 X1  Brackets X4	 Brackets X4	 Long Screw X4	 Masonry Wall Plug X4	 Plastic screw caps X4
 Airvent X1	 Blanking plug X1	 O-ring X2	 Plastic plug X2	 Short Screw X4

FOR RHD DOUBLE MODELS



Body
X1

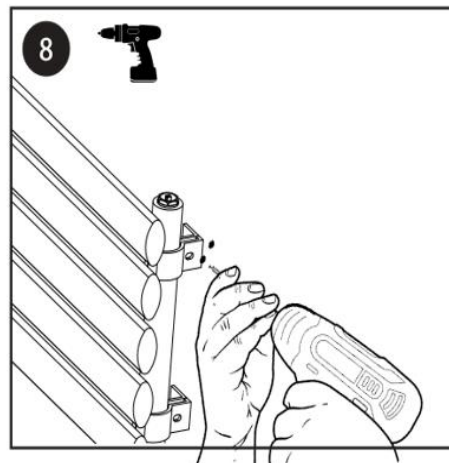
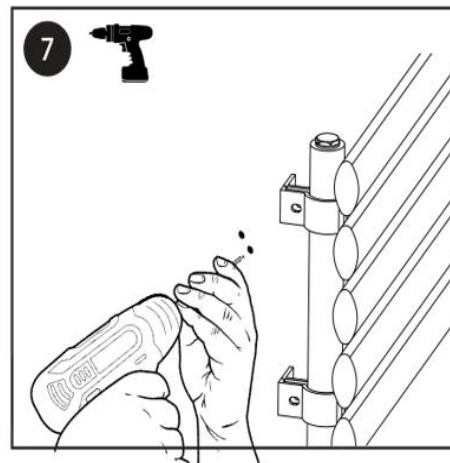
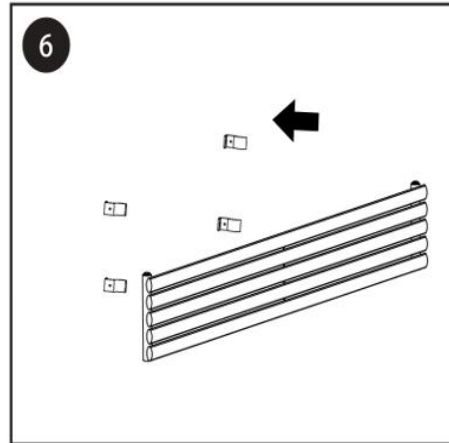
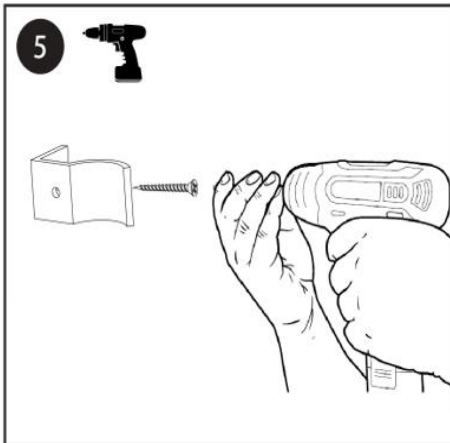
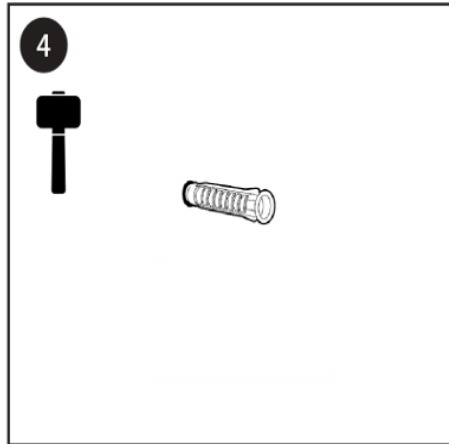
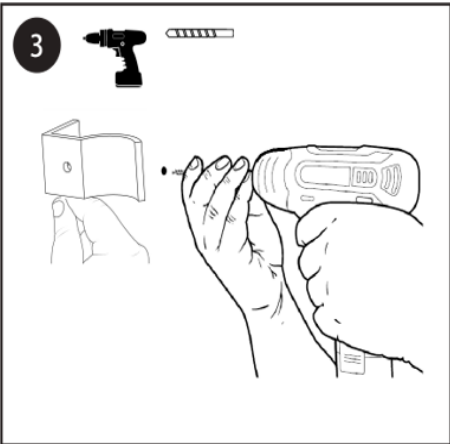
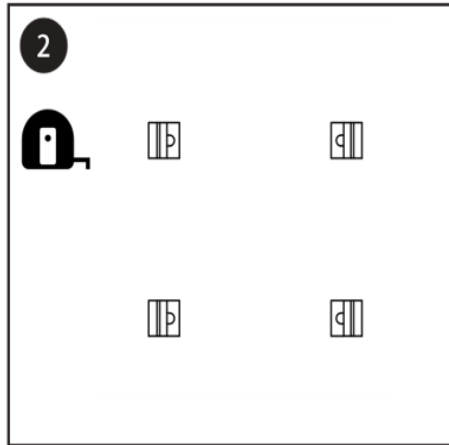
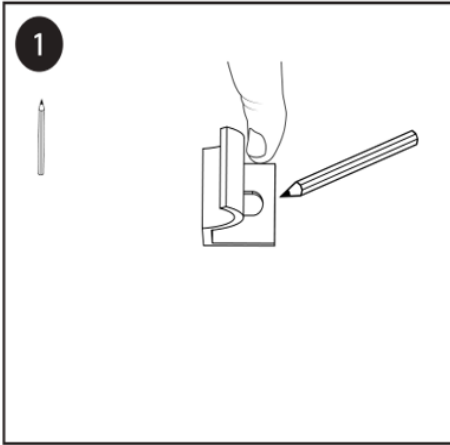
 <p>Brackets X4</p>	 <p>Long Screw X8</p>	 <p>Masonry Wall Plug X8</p>	 <p>Plastic screw caps X8</p>
 <p>Airvent X1</p>	 <p>Blanking plug X1</p>	 <p>O-ring X2</p>	 <p>Plastic plug X2</p>

INSTALLATION

Before starting the installation, confirm all components are present and undamaged. Lay them out on a clean surface and compare them with the parts list for your model. If any parts are missing, check the radiator box or packaging before throwing it away.

Place the radiator in your desired position, use the spirit level to ensure it is level, and then mark the four points for the brackets.

RHS SINGLE MODELS



1. Check the Parts

2. Mark the Bracket Positions

Hold the radiator against the wall at the desired height. Use a spirit level to ensure it is straight, then mark the fixing points for the wall brackets.

3. Drill the Fixing Holes

Drill the marked holes using the correct drill bit for your wall type.

4. Insert suitable wall plugs

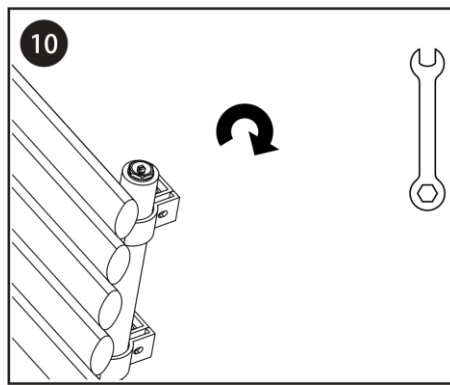
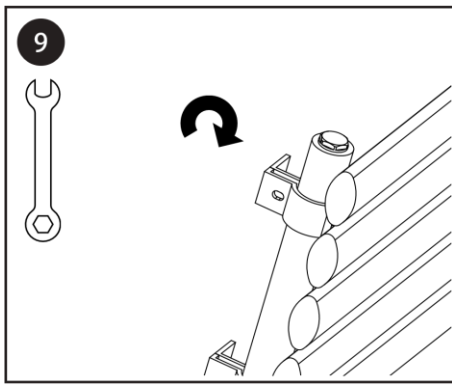
Make sure the plugs and fixings are strong enough to support the radiator. If the supplied plugs are not appropriate for your wall construction, replace them with suitable alternatives.

5-6. Fit the Wall Brackets

Secure the brackets firmly to the wall, ensuring they are level. Check that all four brackets align with the radiator. If the radiator does not sit correctly, adjust the brackets and use a spirit level to confirm accurate alignment.

7-8. Fit the Radiator and Tighten the Bar Bracket

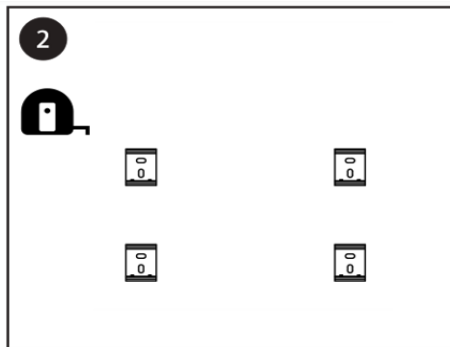
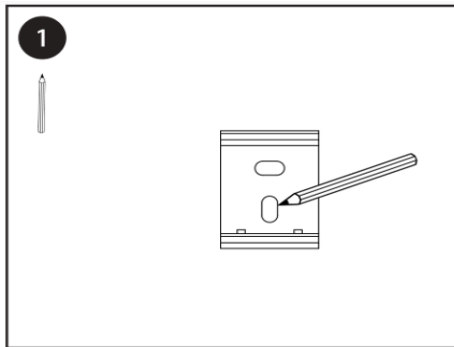
The single radiators use a two-part bracket system. Position the radiator onto the first wall bracket installed in the previous step, then place the matching second bracket half around the radiator bar on the outside. Secure it using the small screws provided (x4) with the hex key. A second person may be needed to hold the radiator steady while you tighten all four bar brackets. Power tools may be used, but take care not to overtighten.



9.-10. Prepare the Radiator Connections

Wrap PTFE tape around the blanking plug and the bleed valve. Screw both components into the top of the radiator and tighten them with a spanner. Once fitted, the radiator is ready for valve installation and connection to the central heating system.

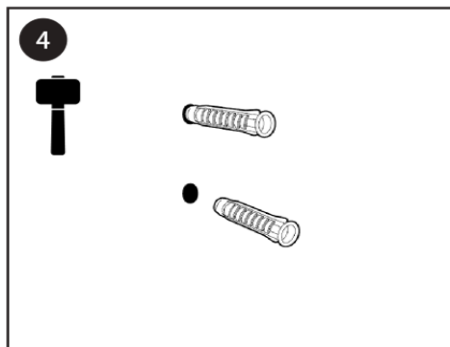
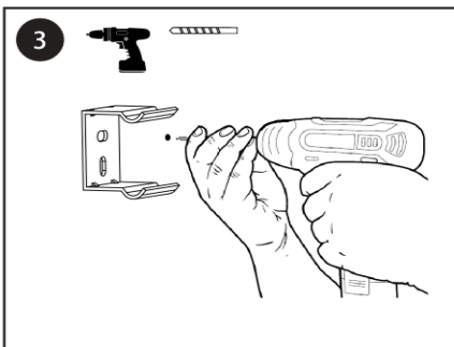
RHD DOUBLE MODELS



1. Check the Parts

2. Mark the Bracket Positions

Hold the radiator against the wall at the desired height. Use a spirit level to ensure it is straight, then mark the fixing points for the wall brackets.

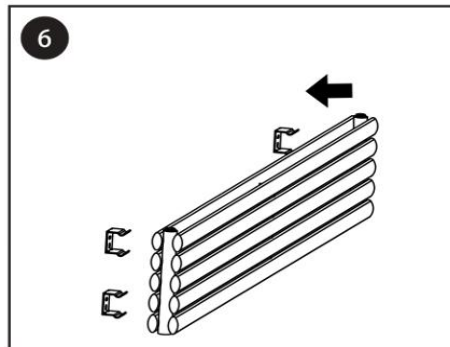
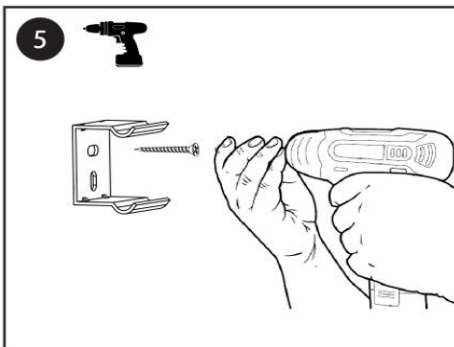


3. Drill the Fixing Holes

Drill the marked holes using the correct drill bit for your wall type.

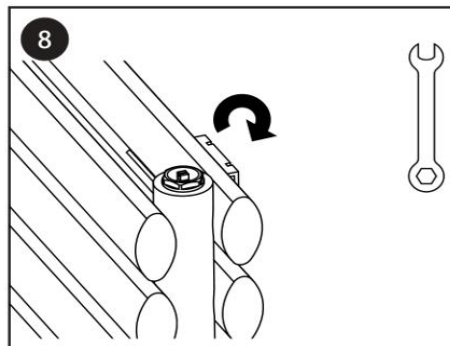
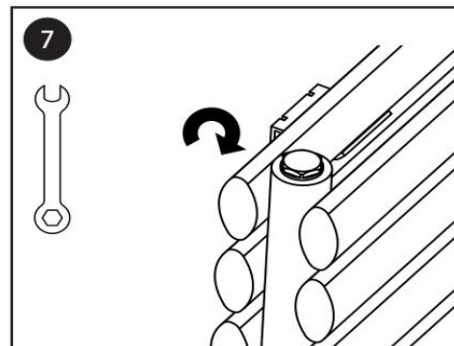
4. Insert suitable wall plugs to ensure a secure fixing.

Make sure the plugs and fixings are strong enough to support the radiator. If the supplied plugs are not appropriate for your wall construction, replace them with suitable alternatives.



5-6. Fit the Wall Brackets and Slide the Radiator Into Place

Secure the wall brackets firmly and ensure they are level. Align all four brackets with the radiator, then slide the radiator into place. If needed, have a second person assist with positioning.



7-8. Prepare the Radiator Connections

Wrap PTFE tape around the blanking plug and the bleed valve. Screw both components into the top of the radiator and tighten them with a spanner. Once fitted, the radiator is ready for valve installation and connection to the central heating system.

Both RHS and RHD

Prepare the Valve Connections

Wrap PTFE tape around the valve threads if required. Fit the valves and any adaptors to the radiator inlets.

Connect the Pipework

Align the valves with the existing pipework and tighten the compression or threaded joints. Ensure all connections are secure.

Fill the Radiator

Open both valves to allow water into the radiator and check for any immediate leaks.

Bleed the Radiator

Use the bleed valve to release trapped air until a steady flow of water appears, ensuring even heating.

Final Checks

Inspect all joints for leaks, confirm the radiator is level, and ensure it heats evenly once the system is running.

CLEANING AND MAINTENANCE

Wipe the radiator regularly with a soft, damp cloth and a mild soapy water solution.

Do not use any abrasives, bleach or chlorine when cleaning. Do not scrub with anything hard, as this will damage the coating.

TROUBLESHOOTING

FAULT	POSSIBLE CAUSE	REMEDY
Cold spots on the radiator.	Water is not flowing properly.	Ensure there is no trapped air inside the radiator by bleeding the system. Ensure the valve is fully open to allow free-flowing water.
Leak	The valve nut is loose. The Bleeder valve is open.	Tighten the valve nut. Close the bleeder valve.
Whistling or whooshing sound.	The radiator isn't level.	Complete a full re-installation of the radiator using a spirit level.
Clanking sound.	Positioning of the radiator doesn't allow for pipe expansion.	

Buy It Direct UK SUPPORT

Call 0330 390 3061 or complete the online form for any issues that are unrelated to your central heating system.

Office hours: 9 AM - 5 PM, Monday to Friday

<https://www.appliancesdirect.co.uk/>

**Unit 2A, Trident Business Park,
Neptune Way, Leeds Road, Huddersfield, HD2 1UA**