

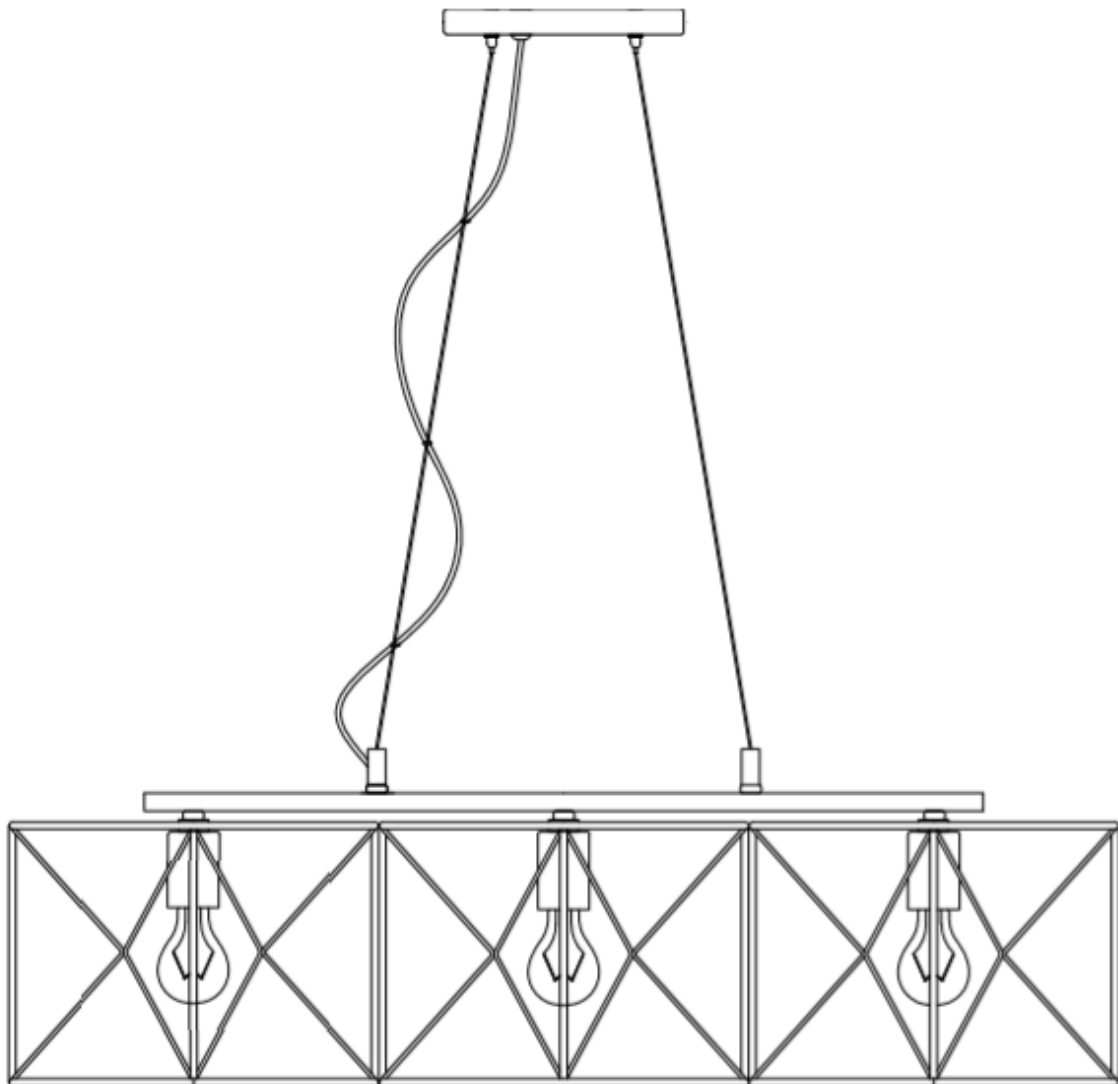


DAVIS PENDANT

MLG018

INSTALLATION MANUAL

Product Size 920x300x1200mm
Version Reference 2020/08/03



SAFETY WARNINGS

- The fitting should be installed by a qualified electrician.
- This fitting is only suitable for connection to a 240V~50Hz earthed supply in accordance with current IEE wiring regulations, and should be installed in accordance with local Building Regulations.
- This is for domestic, indoor ceiling use only, and is not suitable for installation within a bathroom.
- The fitting should be connected to a dedicated lighting circuit which must be protected by a 5 amp fuse (or a 6 amp miniature circuit breaker).
- Before installing the fitting ensure the mains supply is switched off, and that the appropriate fuse is removed (or appropriate circuit breaker is switched off) before commencing installation. Ensure that measures are taken to prevent the supply from being inadvertently reconnected.
- This fitting is designed for an E27 Bulb with a maximum rating of 40W. Never fit bulbs of a higher wattage than specified on the label (as these may cause overheating and damage the fitting).
- If there is a “Minimum Distance” Label, please do not allow Flammable Materials to rest within that distance from the lamps.
- This product may contain delicate parts – be careful during handling and maintenance to avoid breakage.
- If any modification is made to the fitting it will invalidate the warranty and may render the product unsafe.

CARE INFORMATION

After use ensure the unit is left 10 minutes to cool before replacing, adjusting or cleaning. Clean with a dry cloth only. Do not use liquid or abrasive cleaners on this product.

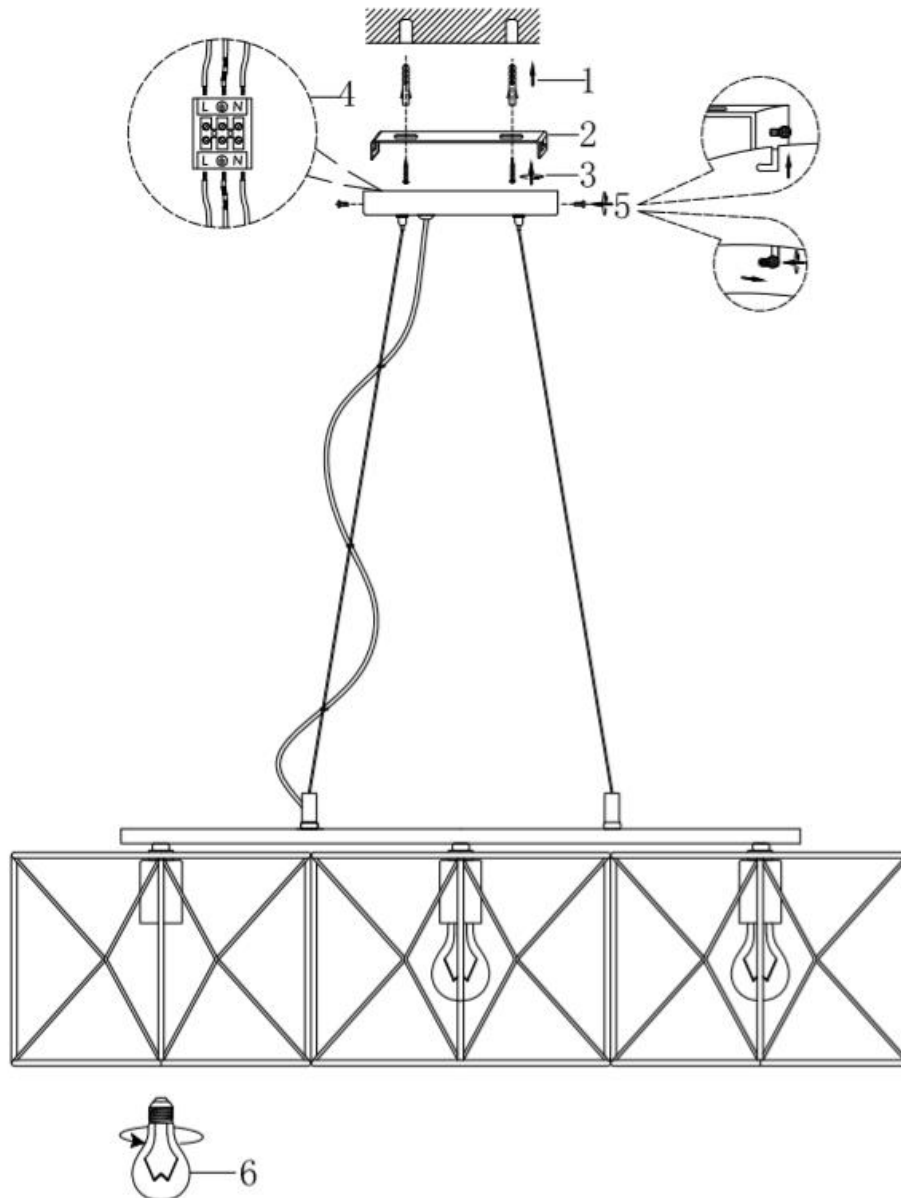
DISPOSAL

Disposal: Do not dispose this product as unsorted municipal waste. Collection of such waste must be handled separately as special treatment is necessary.



Recycling facilities are now available for all customers at which you can deposit your old electrical products. Customers will be able to take any old electrical equipment to participating civic amenity sites run by their local councils. Please remember that this equipment will be further handled during the recycling process, so please be considerate when depositing your equipment. Please contact the local council for details of your local household waste recycling centres.

PRODUCT OVERVIEW



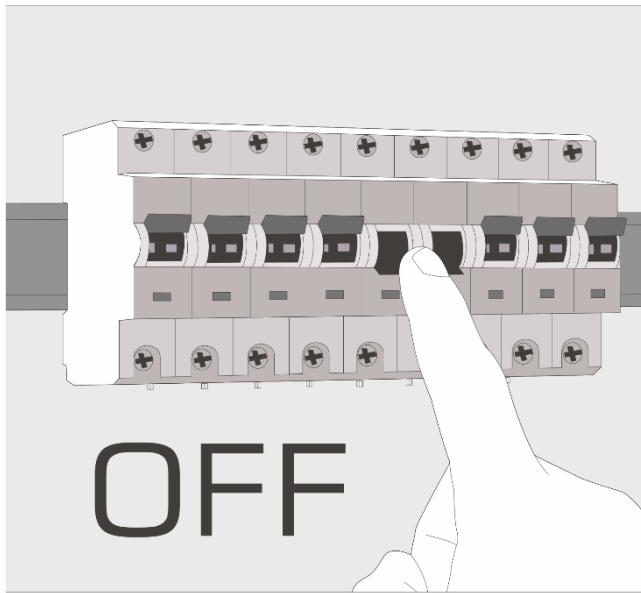
IMPORTANT! Due to continuous product development, pictures in this manual may differ from the final product.

SUPPORT

Should your product be faulty or have missing parts then please contact our customer services department who will be happy to assist you, please have your order number and batch code or date stamp ready.

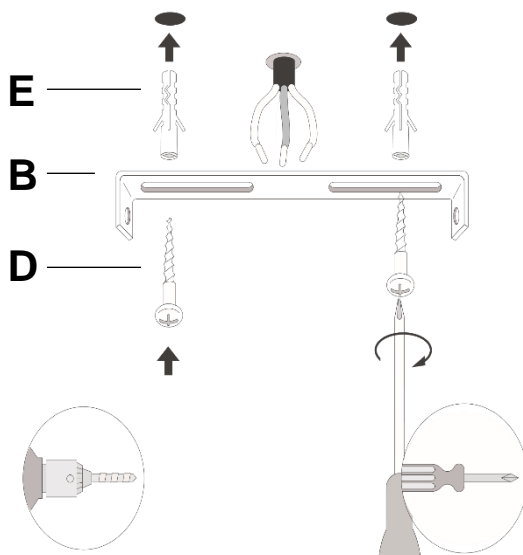
CUSTOMER SERVICES 0871 984 1924

INSTALLATION

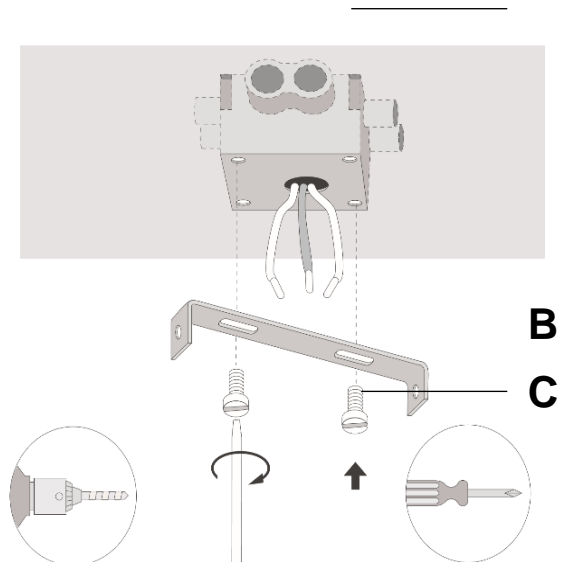


1. Ensure power is disconnected from the circuit and there is no risk of accidental reconnection before starting installation

2. Separate the Mounting Bracket (B) from the rear of the Ceiling Rose and fix in a suitable position on the ceiling adjacent to the supply cable using either the Screws (D) and Plugs (E) or using Bolts (C) into a suitable junction box. Care must be taken to ensure the mounting point is suitable for the weight of the fitting.

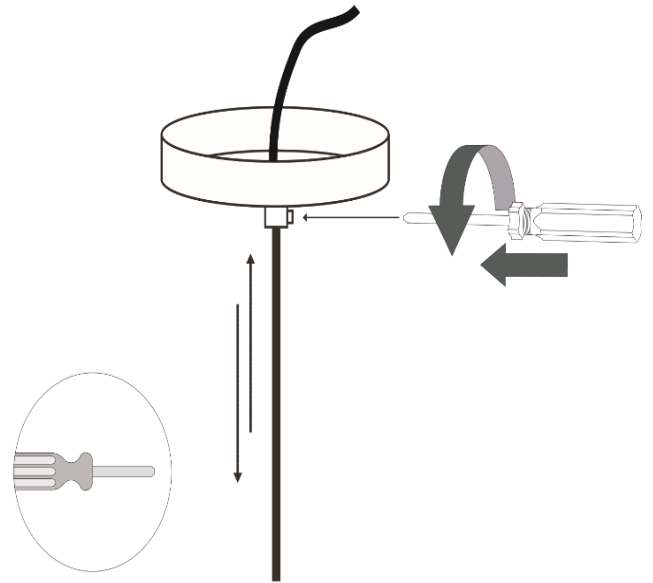


OR

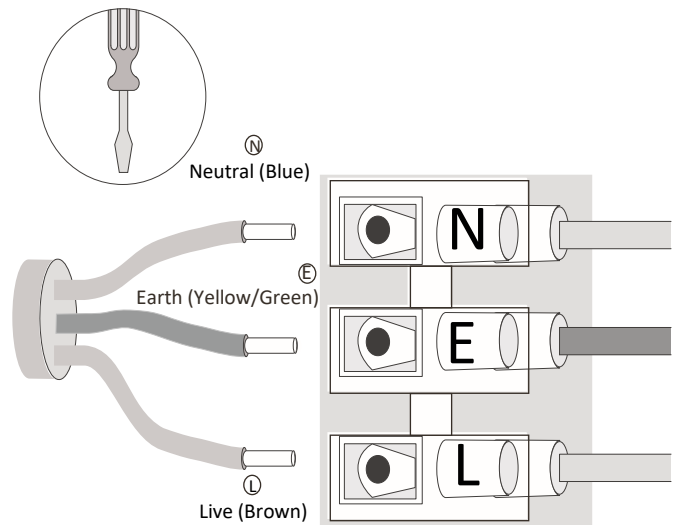


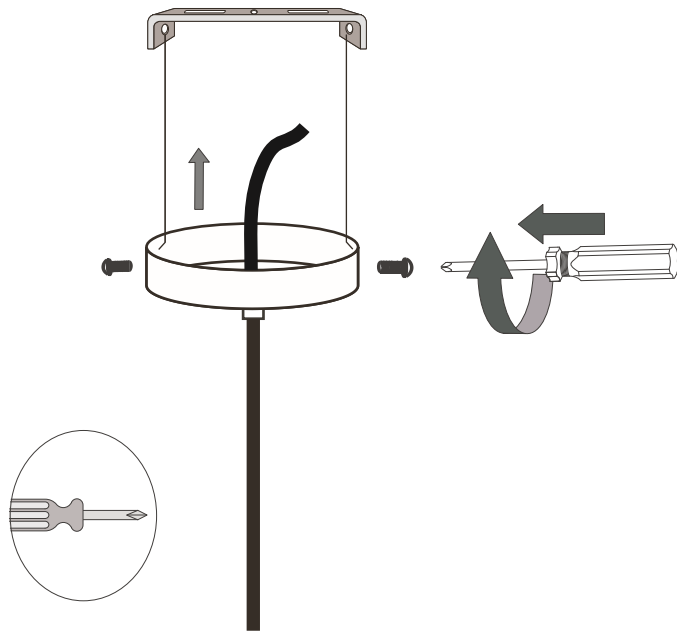
NOTE: If you are unsure on the suitability of the screws for the type of ceiling, advice should be sought from a competent person.

3. Untighten the screw on the side of the ceiling rose. Adjust the length of the cable between the ceiling rose and the shade to the desired length. Retighten the screw, so that it grips the cable securely. Disconnect the cable from the terminals within the ceiling rose. Any excess cable should be cut before re-connecting to the terminal block



4. Connect the power supply to the terminal block within the ceiling rose, following the labelling to ensure the correct wire is connected to the correct terminal. Any loose terminal blocks which are not secured to the ceiling rose should be covered with 2 layers of good quality insulation tape.





5. Reattach the Ceiling Rose to the Mounting Bracket using the bolts removed in Step 2.

6. Insert a suitable bulb into the fitting before reconnecting the power.

NOTE:
NEVER FIT BULBS OF A HIGHER WATTAGE THAN THOSE SPECIFIED ON THE LABEL (AS THESE MAY CAUSE OVERHEATING AND DAMAGE THE FITTING).

