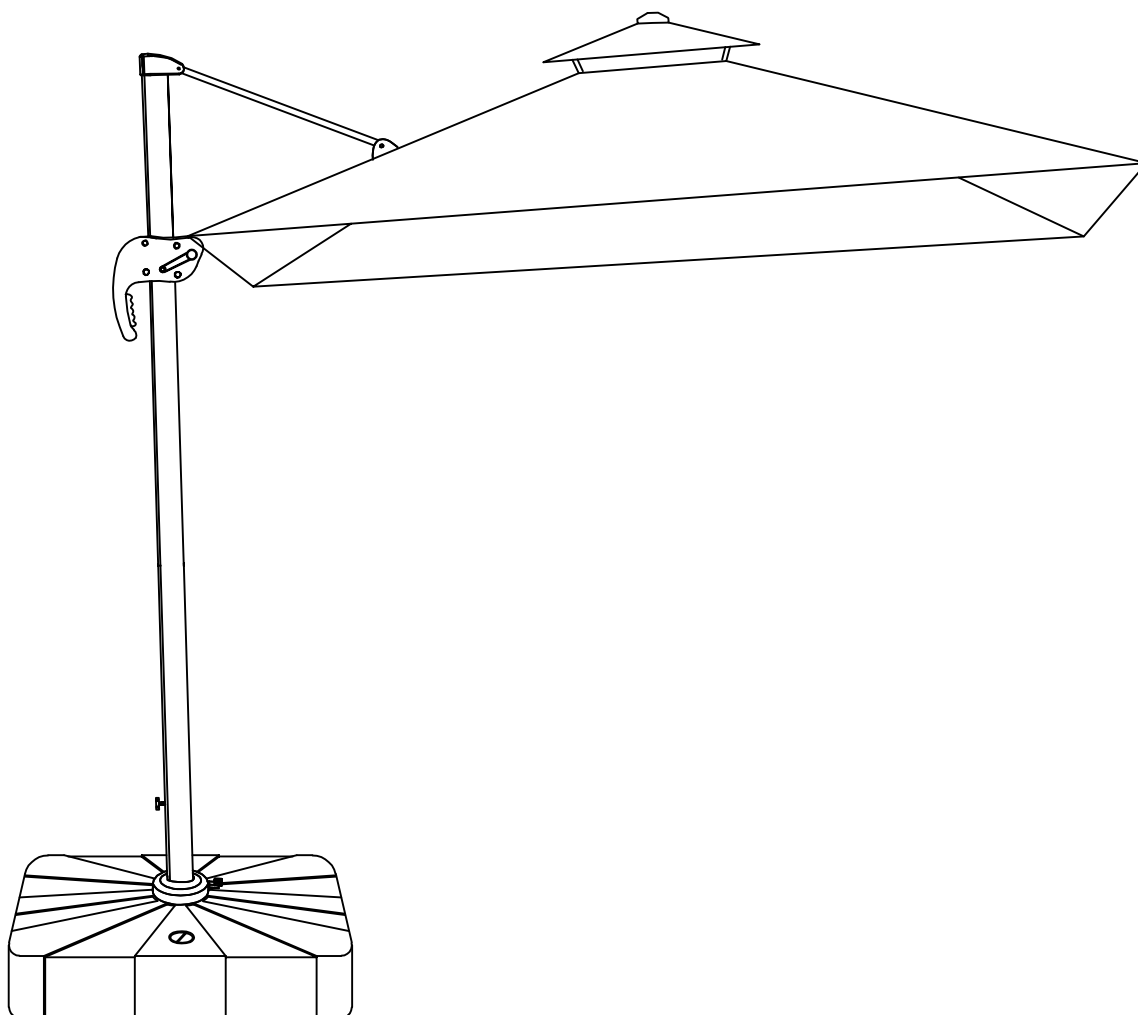


Assembly instructions

Product Size 300 x 300 x285 CM



IMPORTANT: Please read the instructions in full before assembly and keep for future reference.



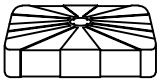

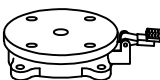
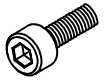

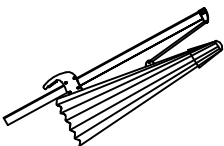
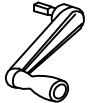
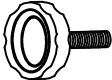
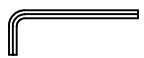
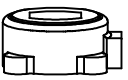
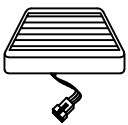
- Make sure that you have plenty of space and a clean, dry area for assembly.
- Due to the size of this product we recommend that it is assembled outside in the location where the Parasol will be used.
- Unwrap all packaging materials and place the components on top of the carton box or on a clean floor to prevent scratching.
- Check the parts and fittings received to ensure you have everything listed.
- To avoid the risk of suffocation to children and animals, dispose of plastic bags immediately.
- Keep all fittings out of the reach of children during assembly.
- Do not use power tools to construct this product, as their use could make the product unsafe and will invalidate the warranty.
- Do not over tighten screws or bolts.
- The fixings should be regularly checked and tightened as necessary.
- If fixings are found to be damaged or missing, they must be replaced before further use of the product.
- Do not use scourers, abrasives (including washing powders), bleach or solvent based cleaners as they can bleach or damage the product

Should your product be faulty or have missing parts then please contact our customer services department who will be happy to assist you, please have your order number and batch code or date stamp ready.



CUSTOMER SERVICES 0871 984 1924

PARTS LIST

					
A x 1	B x 1	C x 1	D x 8	E x 8	F x 1
					
G x 1	H x 1	I x 1	J x 1	K x 1	

CAUTION:

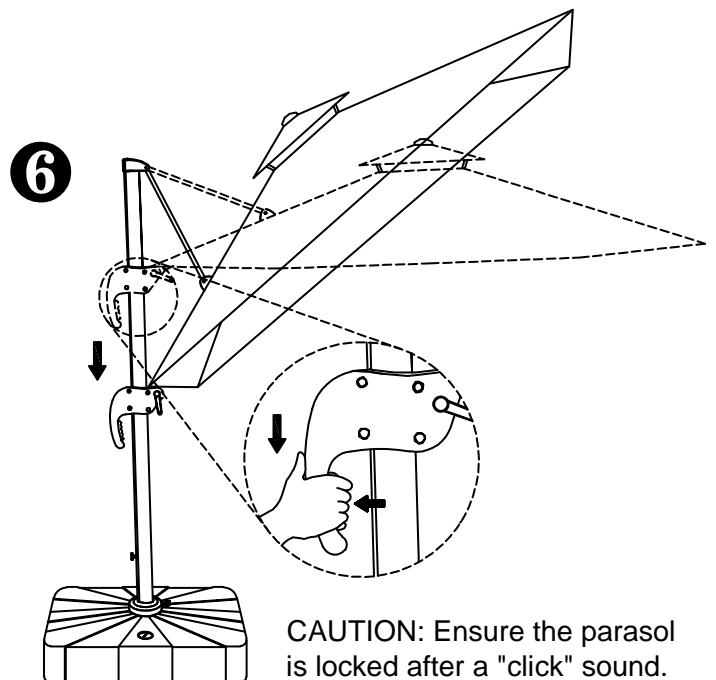
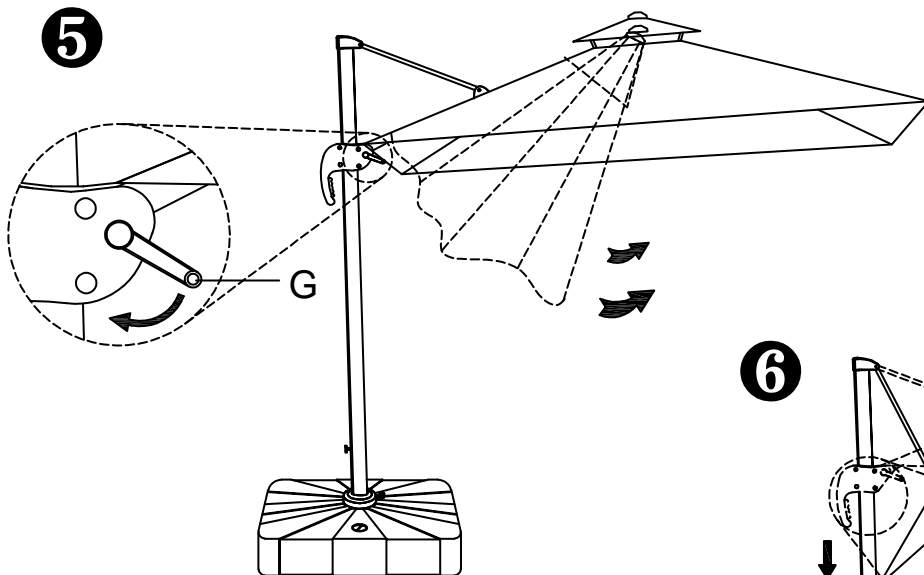
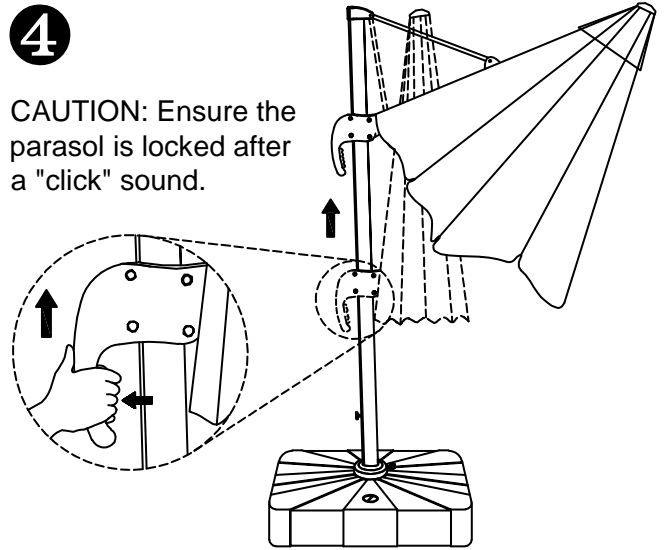
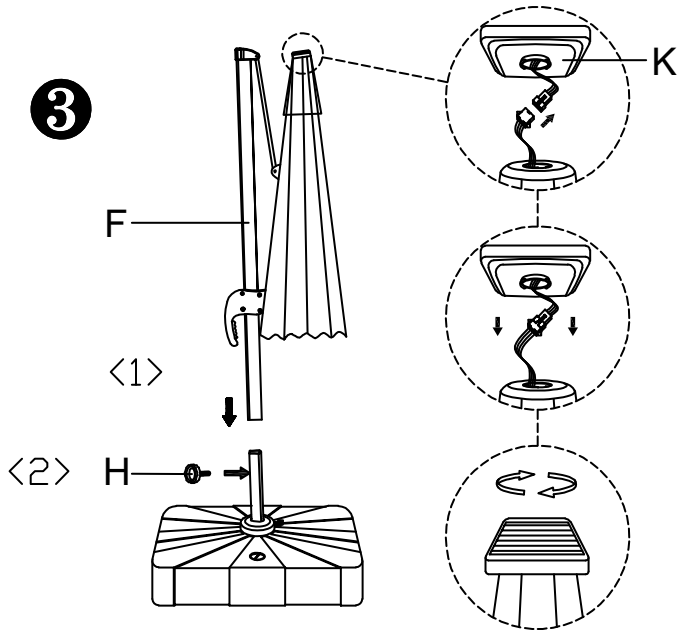
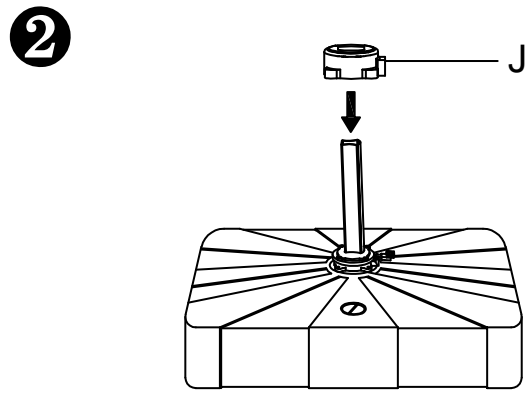
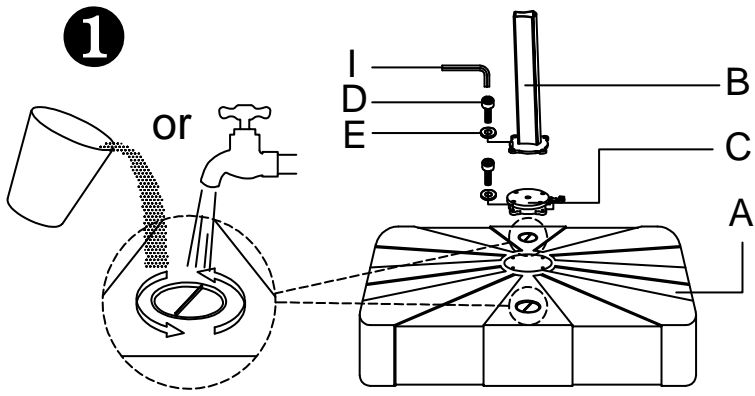
This Parasol is designed to provide shade from the sun only:

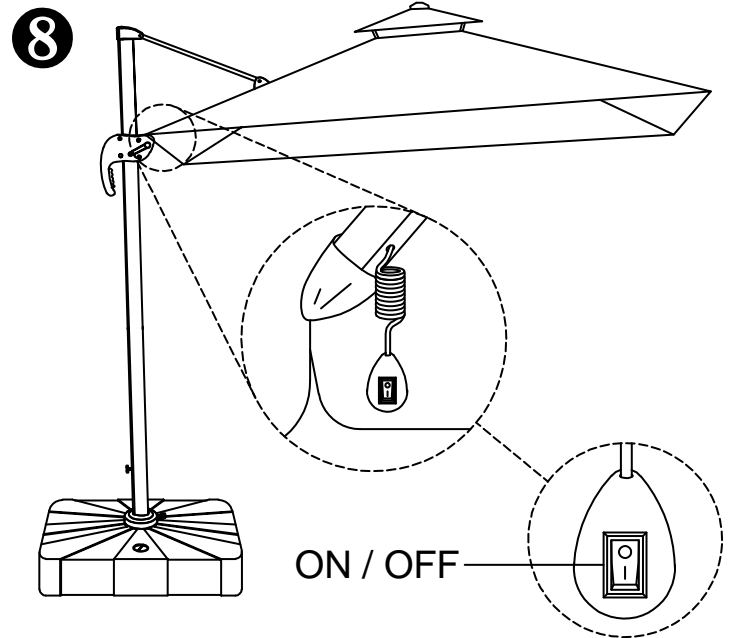
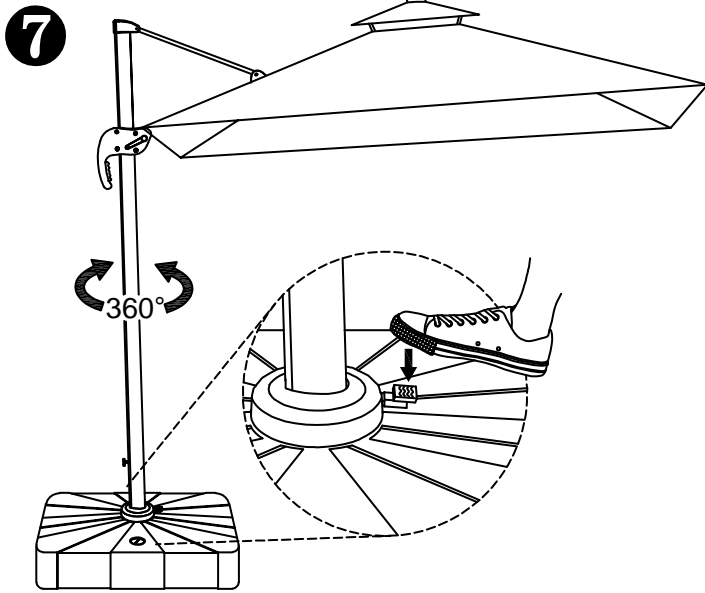
- This product is not intended for inclement /severe weather in any form, including but not limited to: rain, hail, sleet, snow and/or wind.
- Do not leave outside in adverse weather conditions, the parasol can become damaged and in extreme cases be blown over.
- Do not locate this unit near any open flame.
- Do not use any portion of this unit as a support.
- Do not shake, lean or climb on it.
- A competent adult should supervise children under the age of 10 at all times whenever near the patio set.
- This product is NOT intended for commercial use and will void the warranty.

DO NOT LEAVE IT OPEN IN THE WIND.



Information on Disposal for Users of Waste Electrical & Electronic Equipment (private households)
 This symbol on the product(s) and / or accompanying documents means that used electrical and electronic products should not be mixed with general household waste. For proper treatment, recovery and recycling, please take this product(s) to designated collection points where it will be accepted free of charge.





CARE INSTRUCTIONS

For best results, clean frame with damp cloth and dry thoroughly. This will help prevent mildew by removing dirt particles that may accumulate. Do not use abrasive materials or cleaners. In order to prolong the life of your umbrella when not in use or during inclement weather (rain, hail, sleet, snow, wind), fire, extreme heat and freezing conditions, the umbrella needs to be stored in a dry, sheltered place. In addition, your umbrella needs to be stored when not in use.

Operation Care and Maintenance of the Solar Light

- Keep the solar panel clean for maximum charging
- Do not apply pressure to the solar panel, it is sensitive and can be damaged
- Put in a the sun for 8 hours before use to charge the batteries
- If the panel has been in sunlight and fails to come on check that:
 - i. It wasn't switched on while charging
 - ii. That it is switched on
 - iii. That the connection between the light and the panel is correctly made.
- The batteries will need replacing over time. Only use AA Ni-MH Rechargeable batteries. The battery bay can be accessed by undoing the screws on the rear of the light unit.